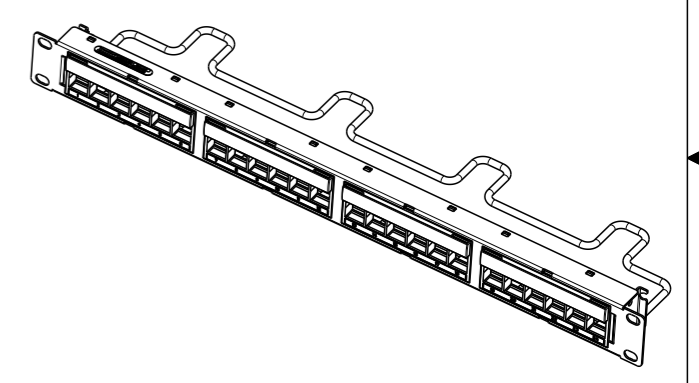
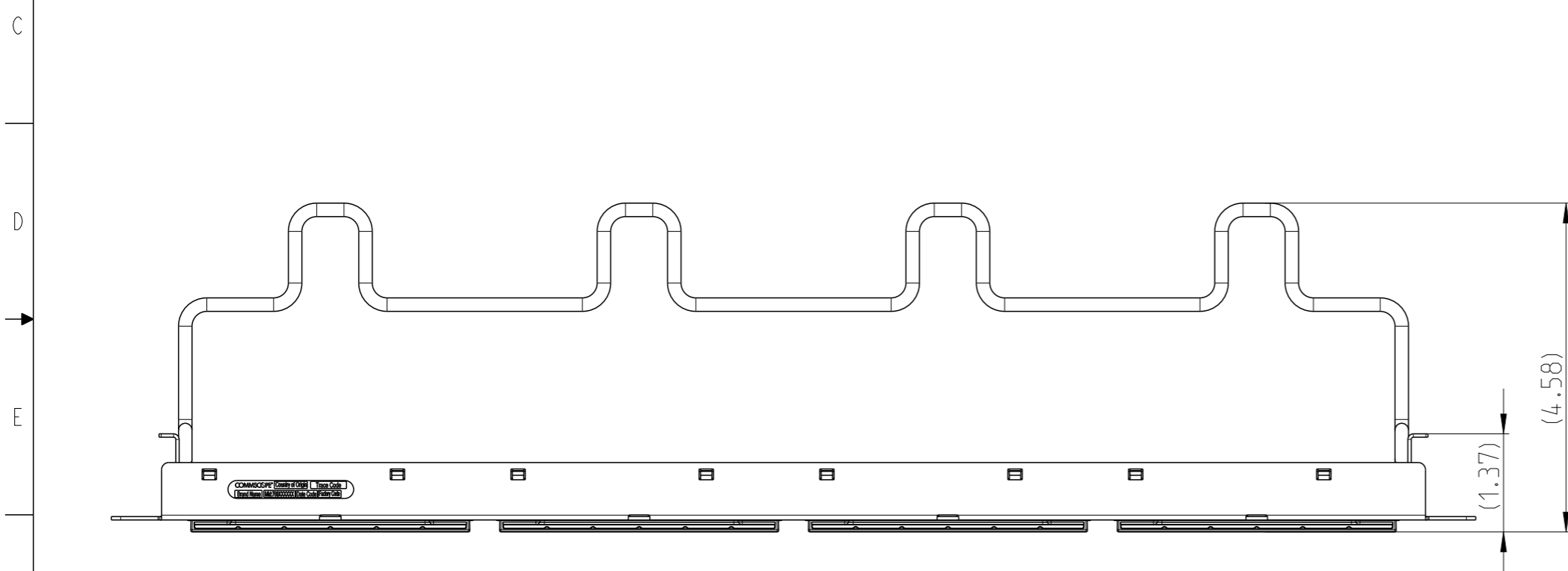


1 2 3 4 5 6 7 8 9 10

REVISIONS			
REV	CMO	DATE	APPROVED
A	40164323CMO	20-JAN-2023	SA



NOTES:
 1. DIMENSIONS SHOWN ARE FOR REFERENCE ONLY.
 2. PRODUCT SUPPLIED UNASSEMBLED.
 3. DIMENSION UNIT IS : INCH



G CPP-UDDM-KJ-1U-24-WH 760250083

DESCRIPTION		PART NUMBER	
COMMSCOPE, INC.			
DRAFTER PRASANNA W	TITLE Discrete Distribution Module Panel, KJ, UTP, 1U, 24 port, White		
ENGINEER SANDESH A	SIZE A3	SCALE 1:2	DOCUMENT NO. 760250083

	CUSTOMER DRAWING		REVISION A	SHEET 1 OF 1
--	------------------	--	---------------	-----------------

H 1 2 3 4 5 6 7 8 9 10