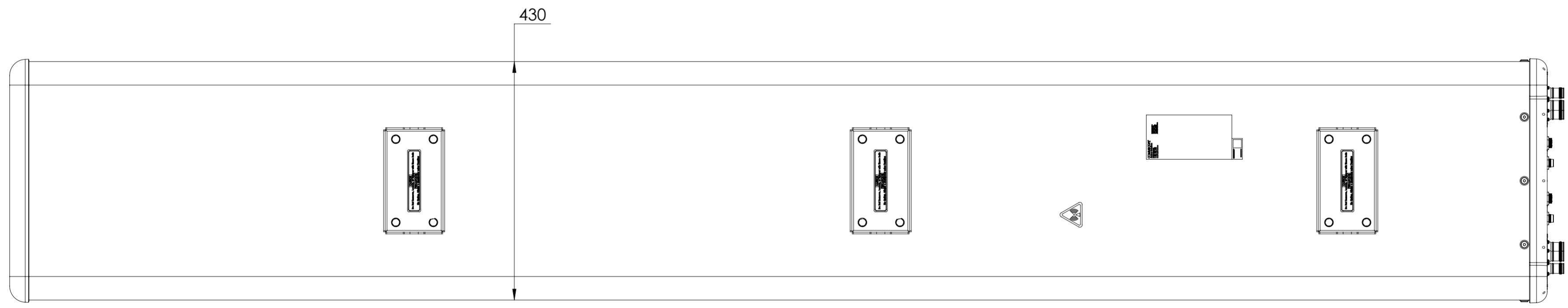
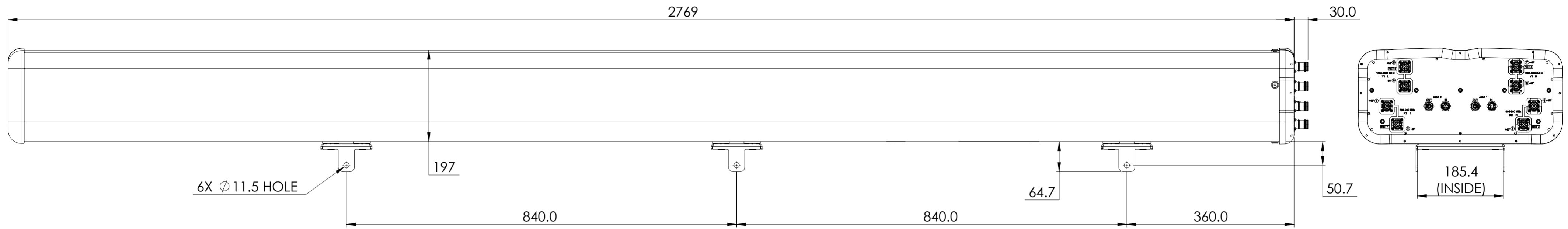


REVISIONS			
REV.	DESCRIPTION	DATE	APPROVED
A	ECR 40150676CMO: REL TO PRODUCTION PER EAO 610972.	22NOV22 RY	GZB/XKK



RRVV-85D-R4N43

COMMSCOPE, INC. OF NORTH CAROLINA

TOLERANCES		SAP MATERIAL MASTER	
0 PLACE	X ±	2 PLACE	.XX ±
1 PLACE	.X ±	ANGLES	±
FINISH		MATERIAL	
UNLESS OTHERWISE SPECIFIED DIMENSIONS ARE IN MILLIMETERS INTERPRET PER ISO STANDARDS HANDBOOK TECHNICAL DRAWINGS, VOLUMES 1 & 2, THIRD EDITION (2002)		NAME	DATE
CE	RY1017	11/22/2022	TITLE PRODUCT DRAWING
RW	RY1017	12/21/2022	
AD	ZL8001	12/21/2022	
RE	NC1020	12/21/2022	
ECN 40150676CMO		SCALE	DOCUMENT NO.
		1:6	RRVV-85D-R4N43-L
SIZE	Auth Group	BSA	MODEL
A2			VERSION
			STATUS
			REVISION
			VERSION
			STATUS
			REVISION
			DRAWING
			VERSION
			STATUS
			REVISION
			SHEET
			1 OF 1