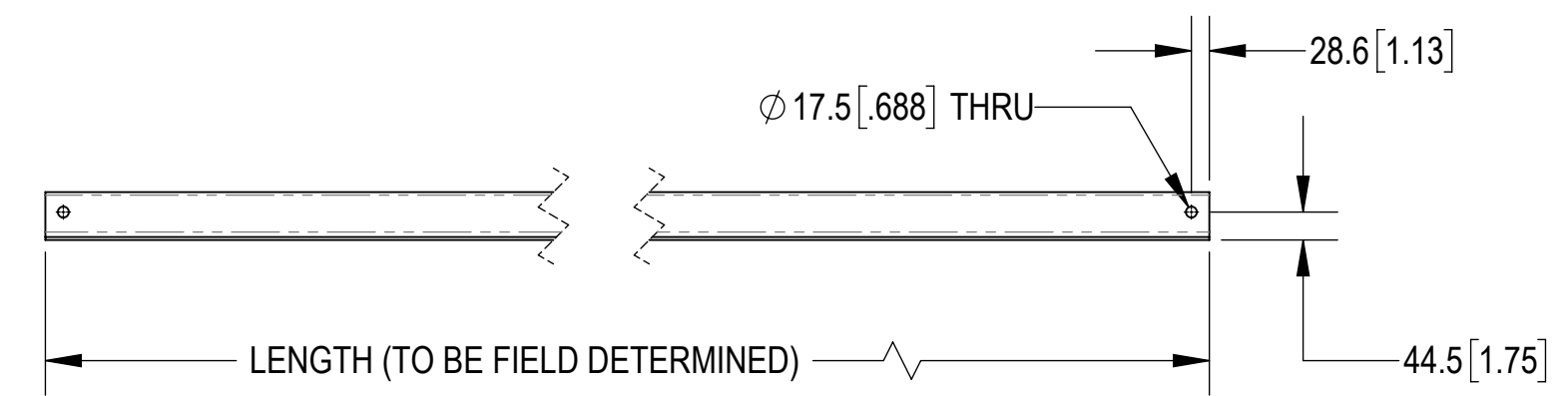
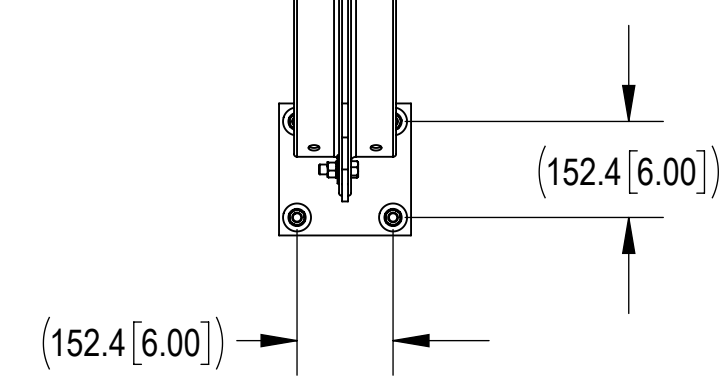
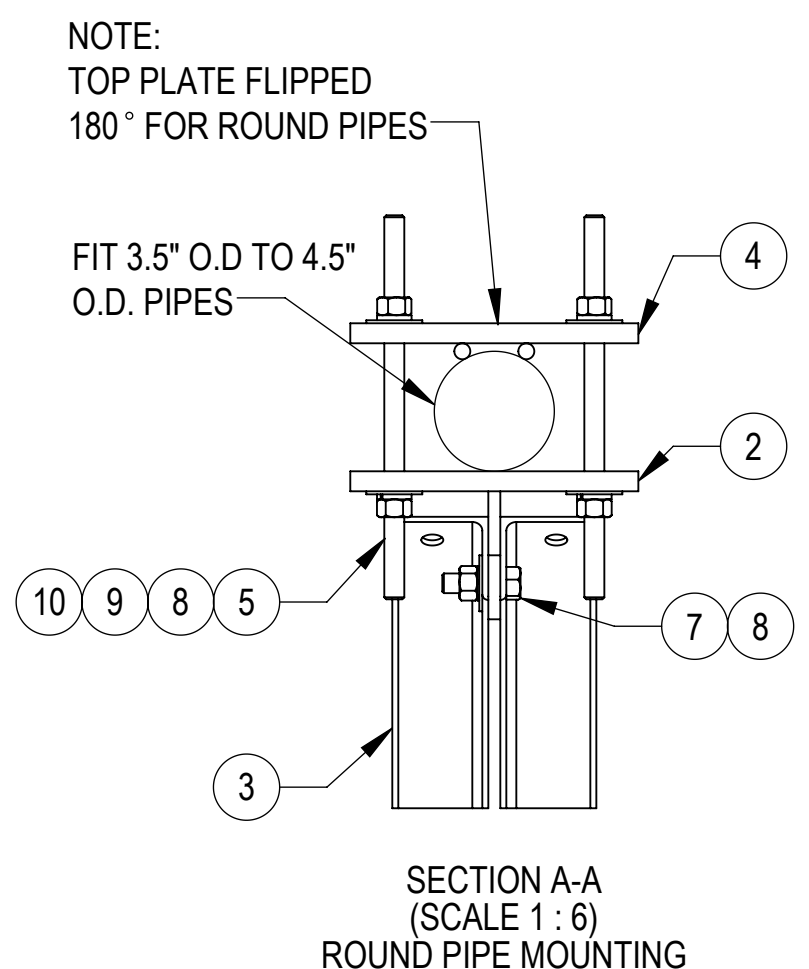
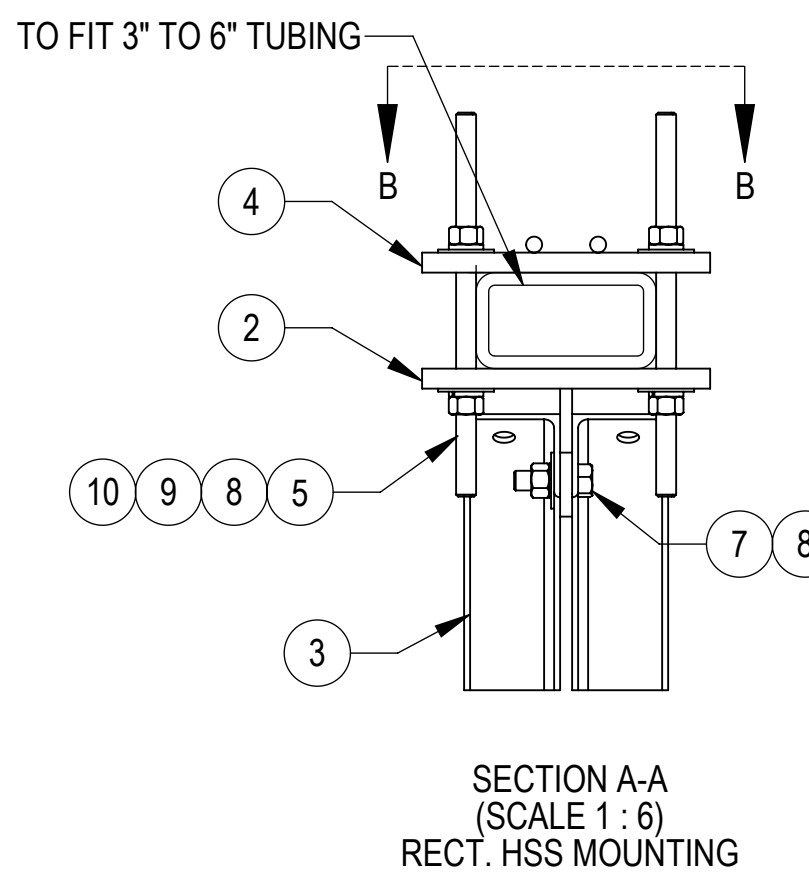
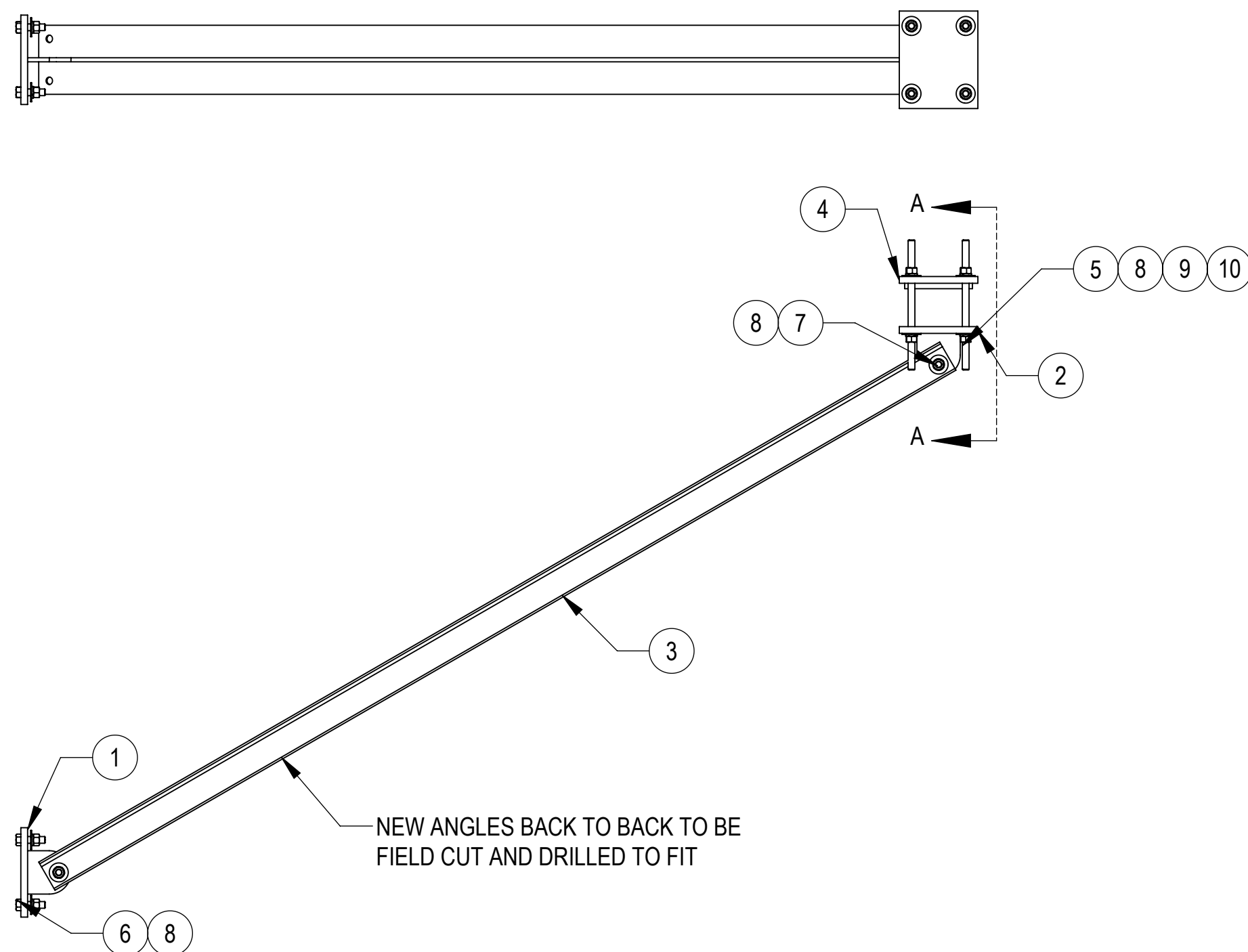


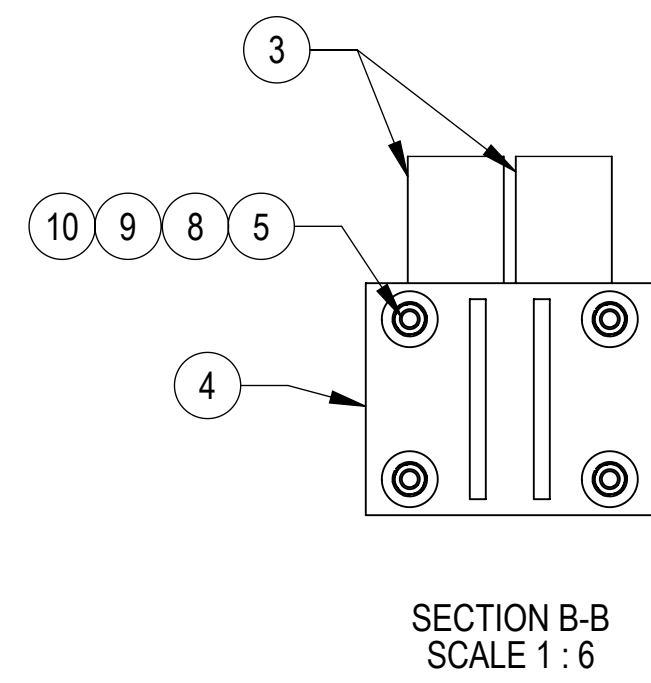
- 1.0 GENERAL NOTES  
 1.1 ALL IMPERIAL DIMENSIONS ARE IN BRACKETS [X.XX]  
 1.2 MARK PART WITH IDENTIFICATION NUMBER  
 2.0 DESIGN NOTES  
 3.0 MANUFACTURING/SPECIAL REQUIREMENTS  
 3.1 TIGHTEN ALL BOLTS SECURING FLAT PLATES BY THE TURN-OF-NUT METHOD. TIGHTEN ALL U-BOLTS USING TURN-OF-NUT METHOD WITH ATTENTION TO LEAVE EQUAL DISTANCE AND EQUAL FORCE ON EACH LEG OF THE U-BOLT.  
 4.0 TEST  
 5.0 PACKAGING  
 5.1 PACKAGING SHALL MEET COMMSCOPE REQUIREMENTS PER DOCUMENT IS-PL-3005  
 5.2 PRINTED DOCUMENT TO BE PLACED INSIDE POLYBAG AND THEN IN SHIPPING CONTAINER  
 5.3 EXTRA HARDWARE MAYBE SUPPLIED, BAGGED AND SHIPPED

REVISIONS			
REV.	DESCRIPTION	DATE	APPROVED
A	INITIAL RELEASE	JL1183 16MAR23	JAHAINES 40168212CMO



COMPONENT PART NUMBERS PROVIDED FOR ASSEMBLY PURPOSES;  
 INDIVIDUAL COMPONENTS MAY BE SHIPPED AS PARTS WITHIN AN INCLUDED KIT.

ITEM	PART NO.	DESCRIPTION	QTY.	NOTE NO.
1	PLK5-F3	WELDMENT, BRACKET RM	3	
2	PLK5-F2	WELDMENT, BRACKET	3	
3	A-PLK5-01	ANGLE 3" X 3" X 3/16"	6	
4	PLK8-F2-3	WELDMENT, BOTTOM MOUNTING PLATE	3	
5	MT-381	5/8" X 12" GALV THREADED ROD	12	
6	GB-0522A	5/8" X 2-1/4" GALV BOLT KIT (A325)	12	INCLUDES BOLT, LOCK WASHER AND NUT
7	GB-0520A	5/8" X 2" GALV BOLT KIT (A325)	6	INCLUDES BOLT, LOCK WASHER AND NUT
8	GWF-05	5/8" GALV FLAT WASHER, 1.70D	42	
9	GWL-05	5/8" GALV LOCK WASHER	24	
10	GN-05	5/8" GALV HEX NUT	24	



DENSITY	314.6	lbs/in <sup>3</sup>
MASS	1110.53	lbs
VOLUME	9266.07	in <sup>3</sup>
SURFACE AREA		in <sup>2</sup>
DENSITY	143001.06	g/mm <sup>3</sup>
MASS	18199418.31	grams
VOLUME	5978106.80	mm <sup>3</sup>
SURFACE AREA		mm <sup>2</sup>
HEIGHT	(345[12.0])	
LENGTH	(2243[88.3])	
WIDTH	(229[9.0])	

**COMMSCOPE, INC. OF NORTH CAROLINA**

TOLERANCES  
 0 PLACE X[.] ± 3[0.1]      2 PLACE .XX[.XXX] ± 0.76[0.030]  
 1 PLACE .X[.XX] ± 1.5[0.06]      ANGLES ± 1°

SAP MATERIAL MASTER  
**MUK-PLK5**

FINISH			MATERIAL		
CE	JL1183	16MAR23	<b>KICKER KIT</b>		
RW	JL1183	03/21/2023			
AD	YW1045	03/23/2023			
RE	YMENG	03/24/2023			
ECN 40168212CMO			SCALE	DOCUMENT NO.	
			<b>1:12</b>	<b>MUK-PLK5</b>	
SIZE	Auth Group	INSL	MODEL	DRAWING	
<b>A2</b>			VERSION	STATUS	REVISION
			00	RE	A
			VERSION	STATUS	REVISION
			00	RE	A

SHEET  
1 OF 1