

FRONT FACING GLIDE CABLE MANAGEMENT

Content	Page
INTRODUCTION	1
Revision History	1
Trademark Information	1
Admonishments	2
General Safety Precautions	2
1 GENERAL	2
1.1 Kit Contents	2
1.2 Required Tools	2
1.3 Accessory Kits	3
1.4 Gasket Installation	3
2 INSTALLATION	4
2.1 Channel Rack Installation	4
2.2 Unequal Flange (UEF) Installation	6
3 PRODUCT SUPPORT AND TECHNICAL ASSISTANCE	12

INTRODUCTION

A Front Facing Glide cable management system may be installed between equipment racks, it can also be installed at the end of a rack. Please read these instructions completely before beginning the assembly. Leave all fasteners finger tight until all pieces are in position.

Revision History

ISSUE	DATE	REASON FOR CHANGE
1	11/2006	Original
Rev B	May 2018	Changed to CommScope format.

Trademark Information

CommScope (logo) and CommScope are trademarks

Admonishments

Important safety admonishments are used throughout this manual to warn of possible hazards to persons or equipment. An admonishment identifies a possible hazard and then explains what may happen if the hazard is not avoided. The admonishments — in the form of Dangers, Warnings, and Cautions — must be followed at all times. These warnings are flagged by use of the triangular alert icon (seen below), and are listed in descending order of severity of injury or damage and likelihood of occurrence.



Danger: *Danger is used to indicate the presence of a hazard that **will** cause severe personal injury, death, or substantial property damage if the hazard is not avoided.*



Warning: *Warning is used to indicate the presence of a hazard that **can** cause severe personal injury, death, or substantial property damage if the hazard is not avoided.*



Caution: *Caution is used to indicate the presence of a hazard that **will** or **can** cause minor personal injury or property damage if the hazard is not avoided.*

General Safety Precautions



Caution: *Always use protective eye wear, gloves, and clothing when working with tools such as electrical drills for installing equipment.*

1 GENERAL

Front Facing Glide cable management kits are available in a six or eight inch widths. If installing a glide cable management system in a lineup of unequal flange racks, optional accessory kits are required to complete the installation.

1.1 Kit Contents

- 2 – Vertical Glide U-Shaped Assembly
- 16 – Hex bolt (1/2 – 20 x 3/4-inch)
- 16 – Hex nut (1/2 – 20)
- 16 – Flat washer (1/2 x 1-1/2)
- 12 – Molded gasket

1.2 Required Tools

- 3/4-inch combination wrenches
- 3/4-inch sockets with ratchet drive
- Phillips head screw driver set

1.3 Accessory Kits

Optional accessory kits are required to complete all installations. Accessories are available from CommScope; see [Section 3 Product Support and Technical Assistance](#) for contact information. Determine which accessories are needed for your installation before starting the job. Optional accessory kits are listed below (xx is used to indicate width):

1.3.1 Accessory Kits for Glide Mounted Between UEF Bays

- Glide base filler and transition trough (ADCBFNW-xx)
- Glide adapter mounting kit for UEF zone 4 racks (ADCCMVIBUFASx)
- UEF rack stabilizer (ADCUEFRS-xx)
- Glide stabilizer support bar (ADCCMVESBxx)

1.3.2 Accessory Kits for Glide Mounted at the End of Lineup

- Putty white End Guard (ADCCMEG15-xx)
- Black End Guard (ADCCMEG15-xx-B)
- Glide adapter mounting kit for UEF zone 4 racks (ADCCMVIBUFASx)
- Glide stabilizer support bar (ADCCMVESBxx)

1.3.3 Accessories for each 23" Network UEF Bay in Lineup

- Upper trough (ADCCMT-27)
- Lower trough (AUX-2D0006)
- Network Rack Rear Guard Box (RAC-0X0439)
- Network Rack Base Filler Panel (ADCBFNW-xx)

1.3.4 Accessories for Non-Network UEF Rack 19" (all equipment is black)

- Upper Trough (ADCCMTG02)
- Lower Trough (ADCCMTG04)
- 7' Rack EIA Zone 4 UEF (ADCRAKBLK73UE-75)
- Rear Guard Box (RACY022-B)
- Base Filler (ADCBF-xx)

1.4 Gasket Installation

A gasket is installed in each of the large openings in the glide. If gasket is not already installed proceed as follows:

1. Position a gasket on each side of the glide opening.
2. Snap the gasket halves together.
3. Repeat this procedure for each opening in the glide.

2 INSTALLATION

Glide cable management systems may be installed between equipment racks, they can also be installed at the end of a rack. They are normally installed at the time of rack installation. Glide cable management systems may be installed on either channel racks or unequal flange racks. Installing a glide cable management system on an unequal flange (UEF) rack requires an unequal flange adapter kit that must be ordered separately. Remember to leave all fasteners finger tight until all pieces are in position. Installation of a glide cable management system requires two people.

2.1 Channel Rack Installation

Determine location that the glide cable management assembly is to be mounted on the rack. Start assembly at the top of the rack and continue to the bottom of the rack before starting on the other side of guide cable management assembly.



Caution: *Always use protective eye wear, gloves, and clothing when working with tools such as electrical drills for installing equipment.*

1. Place a 1/2-inch flat washer on two 1/2-inch bolts. Locate two unused 1/2-inch holes (third set of holes from top) in the upper glide rib cage. See [Figure 1](#). Insert a bolt through each hole from the inside of the rib cage.
2. Have another person hold the bolts in place. Stepped end of upper glide rib cage must point down. Make certain that the fingers point towards front of the rack. Fiber spool side must face front of the rack. Position upper glide rib cage on the channel rack so the bolts go into the holes located about a quarter of the way down from the top.
3. Thread a 1/2-inch nut on each bolt installed in [Step 1](#). Leave nuts finger tight.
4. Position a second glide rib cage on the channel rack. Stepped end of glide rib cage must point up. Slide lower glide rib cage under upper glide rib cage installed in [Step 2](#). Make certain that the fingers point towards front of the rack.
5. Place a 1/2-inch flat washer on two 1/2-inch bolts. From the inside of the glide rib cages, insert these bolts through center holes in the glide rib cages and rack. See [Figure 1](#).
6. Thread a 1/2-inch nut on each bolt installed in [Step 5](#), leave the nuts finger tight.
7. Place a 1/2-inch flat washer on two 1/2-inch bolts. Locate two unused lower 1/2-inch holes in the rack. See [Figure 1](#). Insert a bolt through each hole from the inside of the lower glide rib cage.
8. Thread a 1/2-inch nut on each bolt installed in [Step 7](#). Leave nuts finger tight.
9. If this is the last rack in the bay proceed to [Step 10](#), if another rack is required go to [Step 12](#).

► **Note:** Numbers on drawing correspond to the steps in the installation procedure.

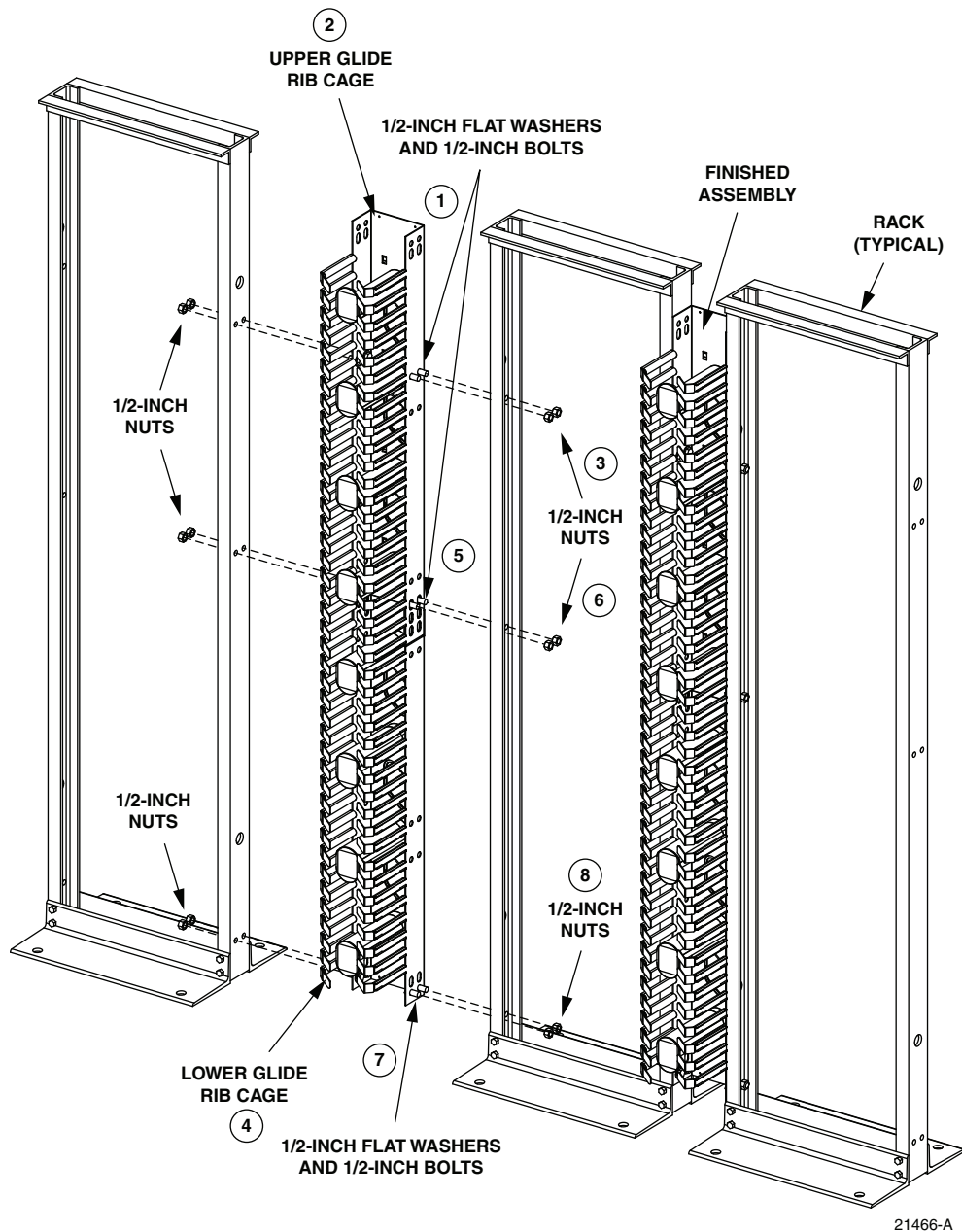


Figure 1. Channel Rack Glide Cable Management System Installation

10. If an end guard is being installed insert a 1/2-inch bolt with washer through the glide assembly about one-quarter of the way up from the bottom and one-quarter of the way down from the top. Thread a 1/2-inch nut on each bolt. If no end guard is required insert 1/2-inch bolts through the glides. Place 1/2-inch flat washers on 1/2-inch bolts.
11. Starting at the top tighten fasteners aligning glides and channel rack.

12. Following local practices, move the next rack into position against the glide. Secure rack in place following manufactures recommendations and local practices.
13. Place 1/2-inch flat washers on six 1/2-inch bolts. Insert the bolts through the appropriate holes in a rack and glides. See [Figure 1](#).
14. Thread a 1/2-inch nut on each bolt installed in [Step 13](#). Leave nuts finger tight.
15. Starting at the top tighten fasteners aligning glides and channel rack.

2.2 Unequal Flange (UEF) Installation

Glide cable management assembly and installation is easier if glide cable management system and unequal flange (UEF) adapter kit are pre assembled and then installed on the rack. You will need adequate floor space to preassemble the glide cable management system with UEF adapter kit.



Caution: Always use protective eye wear, gloves, and clothing when working with tools such as electrical drills for installing equipment.

2.2.1 Right Side Assembly

- ▶ **Note:** Position open side of glide so that when it is mounted it will face the narrow flange on the UEF.
1. Place a 1/2-inch flat washer on two 1/2-inch bolts. Insert bolt and washer assemblies through two of the slotted holes in the top of the upper glide rib cage. Stepped end of upper glide rib cage is the bottom and will point down, when installed on the rack. See [Figure 2](#).
- ▶ **Note:** Position UEF adapter brackets so the longer mounting tabs will be secured to the narrow flange on the UEF. This will be the rear of the UEF.
2. Position a short UEF adapter bracket over the glide, see [Step 1](#).
 3. Thread a 1/2-inch nut on each bolt installed in [Step 1](#). Leave nuts finger tight.
 4. Stepped end of lower glide rib cage is the top and will point up. Slide lower glide rib cage up against the upper glide rib cage. Lower glide should be positioned over upper glide rib cage. See [Figure 2](#).

► **Note:** Numbers on drawing correspond to the steps in the installation procedure.

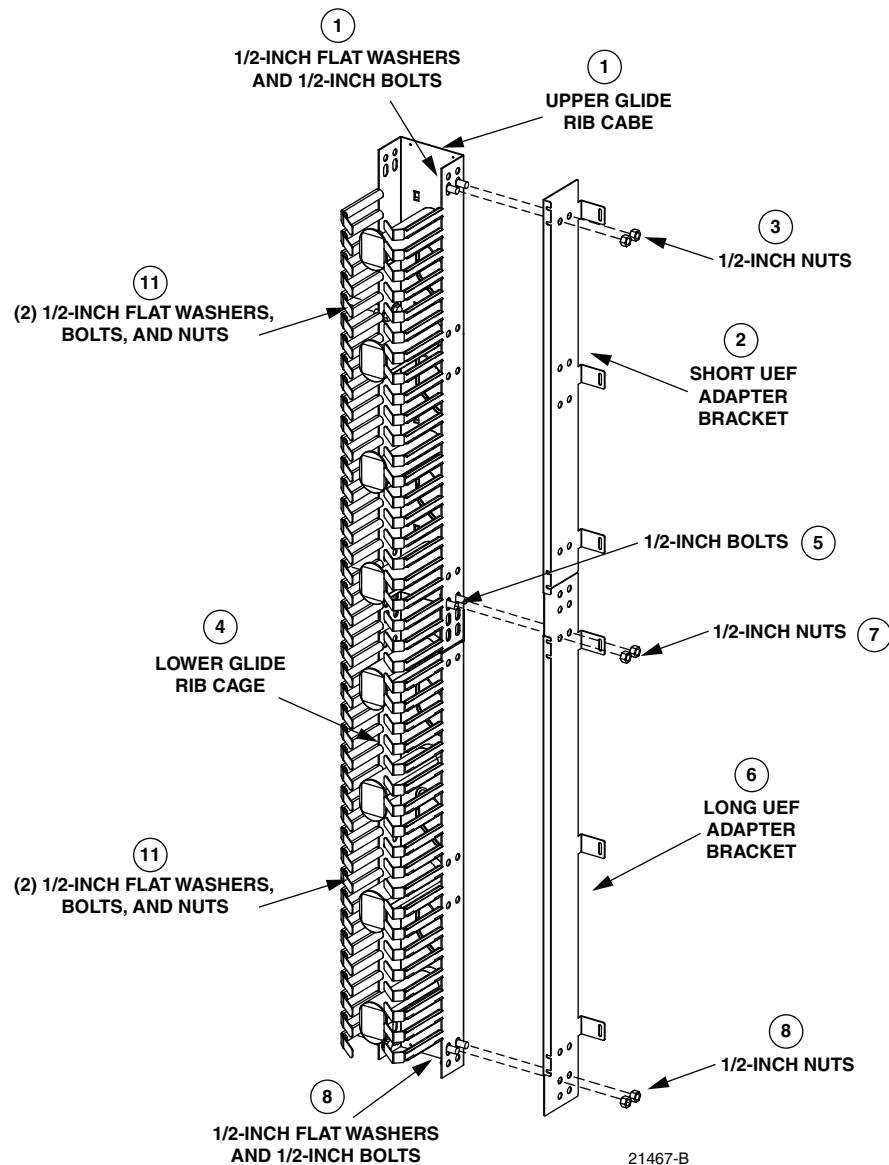


Figure 2. UEF Glide Cable Management Assembly

5. Place a 1/2-inch flat washer on two 1/2-inch bolts. Insert bolt and washer assemblies through top two slotted holes at the top of the lower glide rib cage.
6. Position a longer UEF adapter bracket over the glide rib cage installed in [Step 4](#).
7. Thread a 1/2-inch nut on each bolt installed in [Step 5](#). Leave nuts finger tight.
8. Place a 1/2-inch flat washer on two 1/2-inch bolts. Insert these bolts through two lower unused slotted holes in the glide rib cage and longer UEF adapter bracket. See [Figure 2](#). Thread a 1/2-inch nut on each bolt, leave nuts finger tight.

9. Turn assembly over so the glide is facing up.
10. If this is the last rack in the bay proceed to [Step 11](#), if another rack is required go to [Step 13](#).
11. If an end guard is being installed insert a 1/2-inch bolt with washer through the glide assembly about one-quarter of the way up from the bottom and one-quarter of the way down from the top. Thread a 1/2-inch nut on each bolt. If no end guard is required insert seven 1/2-inch bolts through the glide assembly. Place seven 1/2-inch nuts on bolts.
12. Starting at the top tighten fasteners aligning glides and UEF adapter brackets.
13. Place 1/2-inch flat washers on six 1/2-inch bolts. Insert the bolts through the appropriate holes in glide assembly. See [Figure 3](#).
14. Position a short and long UEF adapter bracket over the bolts installed in [Step 13](#).
- ▶ **Note:** Position UEF adapter brackets so the longer mounting tabs will be secured to the narrow flange on the UEF. This will be the rear of the UEF.
15. Thread a 1/2-inch nut on each bolt installed in [Step 14](#). Leave nuts finger tight.
16. Following local practices, move the next rack into position against the glide assembly. Secure rack in place following manufactures recommendations and local practices. Secure UEF adapter brackets to UEF with machine screws provided.
17. Starting at the top tighten fasteners aligning glide assembly and UEF.

► **Note:** Numbers on drawing correspond to the steps in the installation procedure.

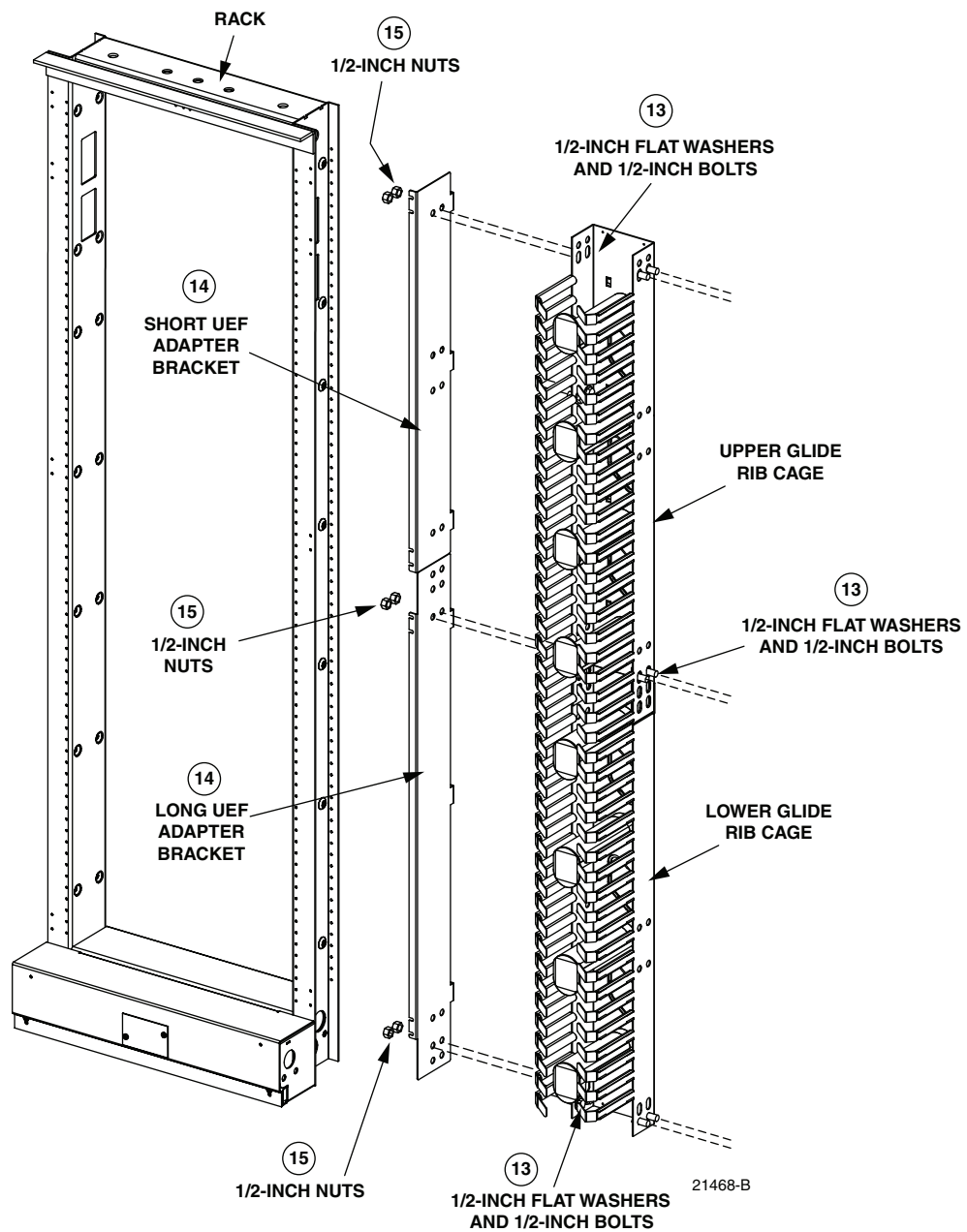


Figure 3. UEf Adapter Bracket Installation

2.2.2 Left Side Assembly

► **Note:** Position open side of glide so that when it is mounted it will face the narrow flange on the UEf.

Left side assembly is similar to the right side the difference is that you are working from the other side. Refer to [Figure 4](#) for an illustration of the assembly.

1. Place a 1/2-inch flat washer on two 1/2-inch bolts. Insert bolt and washer assemblies through two of the slotted holes in the top of the upper glide rib cage. Stepped end of upper glide rib cage is the bottom and will point down, when installed on the rack. See [Figure 4](#).
- ▶ **Note:** Position UEF adapter brackets so the longer mounting tabs will be secured to the narrow flange on the UEF.
2. Position a short UEF adapter bracket over the glide, see [Step 1](#).
3. Thread a 1/2-inch nut on each bolt installed in [Step 1](#). Leave nuts finger tight.
4. Stepped end of lower glide rib cage is the top and will point up. Slide lower glide rib cage up against the upper glide rib cage. Lower glide should be positioned under upper glide rib cage.
5. Place a 1/2-inch flat washer on two 1/2-inch bolts. Insert bolt and washer assemblies through two of the slotted holes in the top of the lower glide.
6. Position a longer UEF adapter bracket over the glide installed in [Step 4](#).
7. Thread a 1/2-inch nut on each bolt installed in [Step 5](#). Leave nuts finger tight.
8. Place a 1/2-inch flat washer on two 1/2-inch bolts. Insert these bolts through two lower unused slotted holes in the glide rib cage and longer UEF adapter bracket. See [Figure 4](#). Thread a 1/2-inch nut on each bolt, leave nuts finger tight.
9. Turn assembly over so the glide is facing up.
10. If this is the last rack in the bay proceed to [Step 11](#), if another rack is required go to [Step 13](#).
11. If an end guard is being installed insert a 1/2-inch bolt with washer through the glide assembly about one-quarter of the way up from the bottom and one-quarter of the way down from the top. Thread a 1/2-inch nut on each bolt. If no end guard is required insert seven 1/2-inch bolts through the glide assembly. Place seven 1/2-inch nuts on bolts.
12. Starting at the top tighten fasteners aligning glides and UEF adapter brackets.
13. Place 1/2-inch flat washers on seven 1/2-inch bolts. Insert the bolts through the appropriate holes in glide assembly. See [Figure 4](#).
14. Position a short and long UEF adapter bracket over the bolts installed in [Step 13](#).
- ▶ **Note:** Position UEF adapter brackets so the longer mounting tabs will be secured to the narrow flange on the UEF. This will be the rear of the UEF.
15. Thread a 1/2-inch nut on each bolt installed in [Step 13](#). Leave nuts finger tight.
16. Following local practices, move the next rack into position against the glide assembly. Secure rack in place following manufactures recommendations and local practices. Secure UEF adapter brackets to UEF with machine screws provided.
17. Starting at the top tighten fasteners aligning glide assembly and UEF.

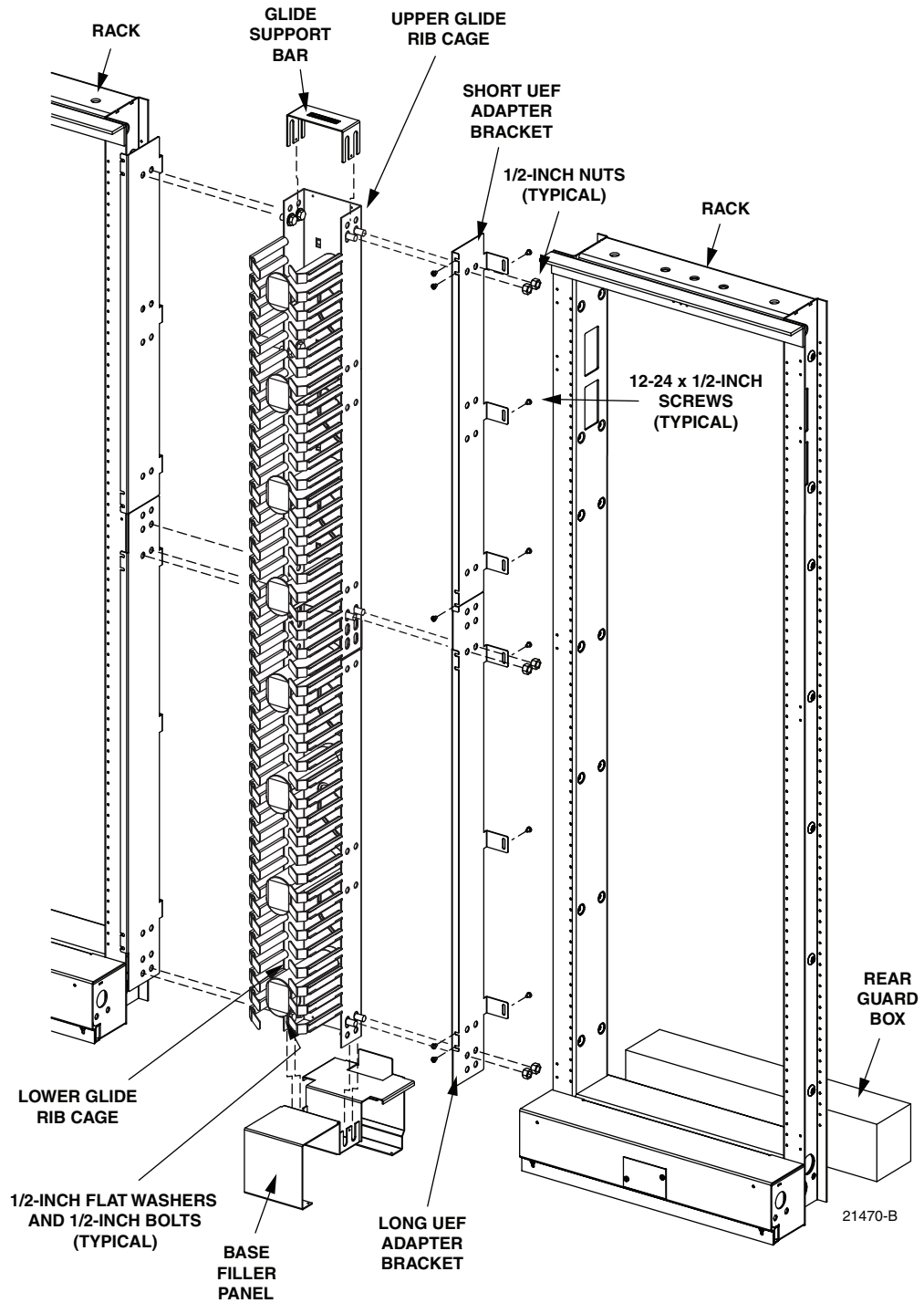


Figure 4. Unequal Flange Glide Cable Management System Assembly

2.2.3 Installation

Glide cable management system with UEF adapters is secured to the rack with 12-24 x 1/2 inch self tapping screws.

1. Position a base filler panel (optional) at the end of the UEF where the glide cable management system is to be installed. Line the two slotted holes in the base filler panel with the larger holes in the end of the UEF rack.
2. At the top rear of the UEF start a 12-24 x 1/2 inch self tapping screw in the second hole of the UEF.
3. Using appropriate lifting equipment, lift glide cable management system into place on the UEF rack. Slide lower 1/2-inch bolts into the slots in the base panel filler. Line up slotted holes on the front of the UEF adapter bracket with the holes in the UEF rack.
4. At the rear of the glide cable management system line up notches in the UEF adapter bracket with the holes in the UEF rack. Not all notches will line up, at least four of the eight notches should match the holes in the UEF rack depending upon the type of rack EIA or WECO.
5. Insert six 12-24 x 1/2 inch self tapping screws through the slotted holes in the UEF adapter bracket. Do not tighten these screws in the UEF rack.
6. Insert a 12-24 x 1/2 inch self tapping screw into each notch that aligns with a threaded hole in the UEF rack. Make certain the UEF adapter bracket is straight and tighten the 12-24 screws.
7. Install the next UEF rack following local practices. Repeat [Step 4](#), [Step 5](#), and [Step 6](#) at the other side of the glide cable management system.
8. Install the glide support bar (optional) at the top of the glide by sliding it under the heads of the 1/2-inch bolts.
9. Starting at the top, align glide cable management components and tighten the bolts and nuts.
10. Install rear guard box (optional).

3 PRODUCT SUPPORT AND TECHNICAL ASSISTANCE

To find out more about CommScope® products, visit us on the web at <http://www.commscope.com>

For technical assistance, customer service, or to report any missing/damaged parts, visit us at <http://www.commscope.com/SupportCenter>

