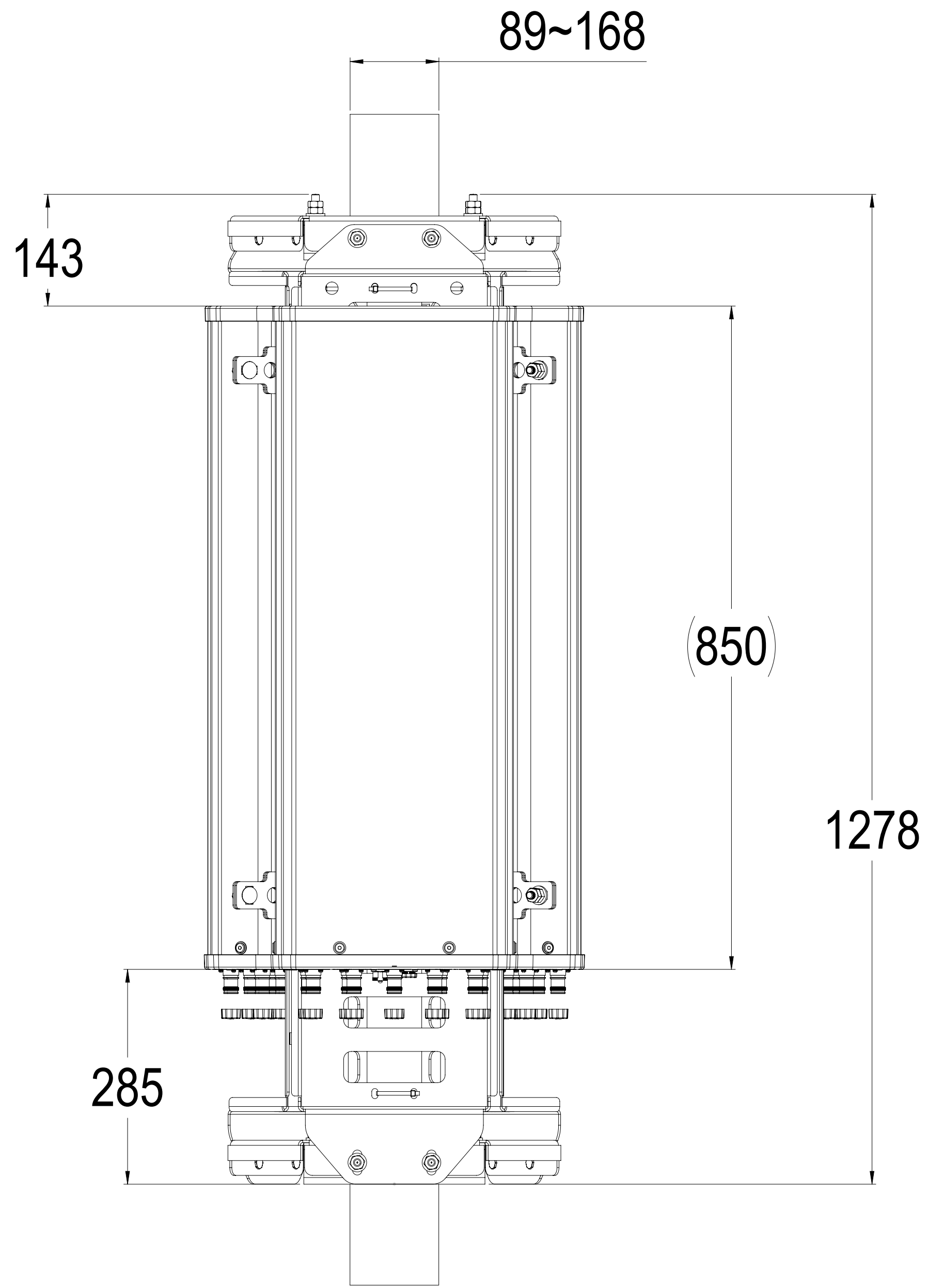
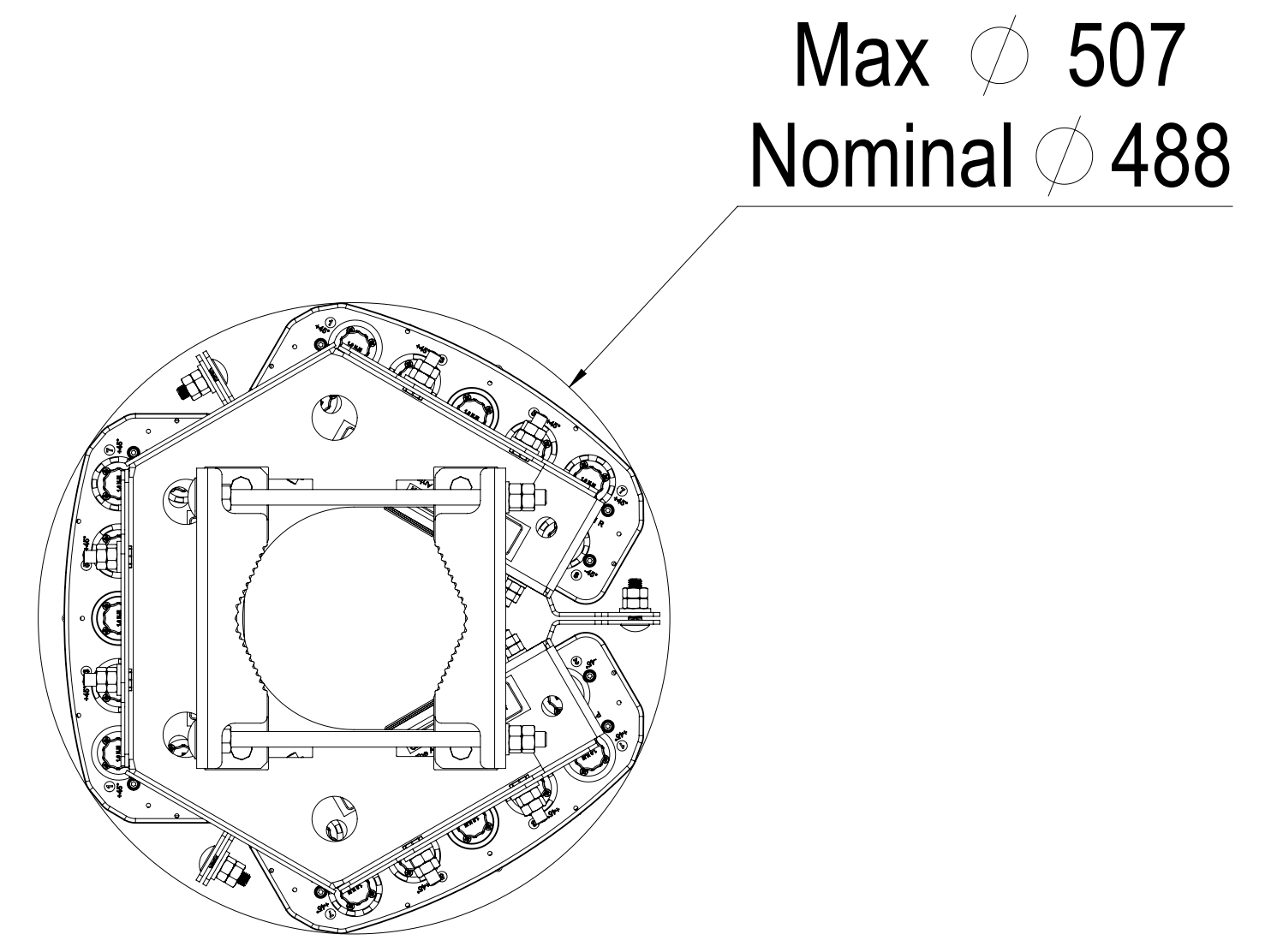


REVISIONS			
REV.	DESCRIPTION	DATE	APPROVED
A	ECR 40163596CMO: REL TO PRODUCTION PER EAO 611743.	31 JAN23 GB	CM/ST



S4-90M-R1B-3XKIT



<b>COMMSCOPE, INC. OF NORTH CAROLINA</b>											
TOLERANCES						SAP MATERIAL MASTER					
0 PLACE X ±			2 PLACE .XX ±			1 PLACE .X ±			ANGLES ±		
FINISH						MATERIAL					
UNLESS OTHERWISE SPECIFIED DIMENSIONS ARE IN MILLIMETERS INTERPRET PER ISO STANDARDS HANDBOOK TECHNICAL DRAWINGS VOLUMES 1 & 2, THIRD EDITION (2002)	NAME		DATE		TITLE						
	CE	GBANDEKAR	01/31/2023		TRISEC KIT 3XANT- 8HB, 90DEG, 1RET						
	RW	GBANDEKAR	02/01/2023								
	AD	CM1117	02/02/2023		SCALE		DOCUMENT NO.				
	RE	RK1070	02/02/2023		1:5		S4-90M-R1B-3XKIT-L				
ECN 40163596CMO											
SIZE		Auth Group		BSA		MODEL		DRAWING		SHEET	
A2		[Symbol]		[Symbol]		VERSION		STATUS		REVISION	
						00		RE		A	
						00		RE		A	
										1 OF 1	

DENSITY	g/mm <sup>3</sup>
MASS	grams
VOLUME	mm <sup>3</sup>
SURFACE AREA	mm <sup>2</sup>
HEIGHT	
LENGTH	
WIDTH	