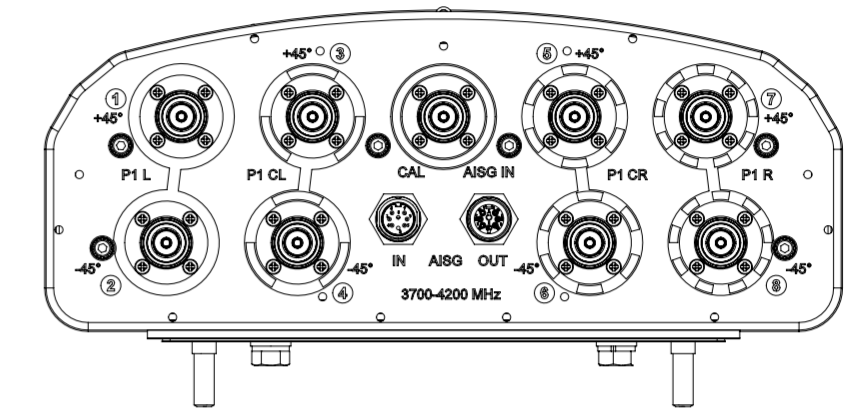


S4-90M-R1B-V1

REVISIONS			
REV.	DESCRIPTION	DATE	APPROVED
A	ECR 40163596CMO: RELEASE TO PRODUCTION PER EAO 611743.	31JAN23 GB	CM/ST



<b>COMMSCOPE, INC. OF NORTH CAROLINA</b>															
TOLERANCES					SAP MATERIAL MASTER										
0 PLACE		X ±		2 PLACE		.XX ±									
1 PLACE		.X ±		ANGLES		±									
FINISH					MATERIAL										
UNLESS OTHERWISE SPECIFIED DIMENSIONS ARE IN MILLIMETERS INTERPRET PER ISO STANDARDS HANDBOOK TECHNICAL DRAWINGS VOLUMES 1 & 2, THIRD EDITION (2002)	NAME		DATE		TITLE										
	CE	GBANDEKAR	01/31/2023		<b>PRODUCT DRAWING</b>										
	RW	GBANDEKAR	01/31/2023												
	AD	CM1117	01/31/2023		SCALE		DOCUMENT NO.								
	RE	RK1070	02/01/2023		1:3		S4-90M-R1B-V1-L								
ECN 40163596CMO															
SIZE		WORK AREA		BSA		MODEL		DRAWING							
<b>A2</b>						VERSION		STATUS		REVISION					
						00		RE		A		00		RE	
DENSITY		g/mm <sup>3</sup>		MASS		grams		VOLUME		mm <sup>3</sup>		SURFACE AREA		mm <sup>2</sup>	
HEIGHT		LENGTH		WIDTH		SHEET		1 OF 1							