

REV.	MCO	DWN	DATE
A	40013183MCO	OAVL	26-MAR-14
B	40031557MCO	OAVL	17-JUN-16

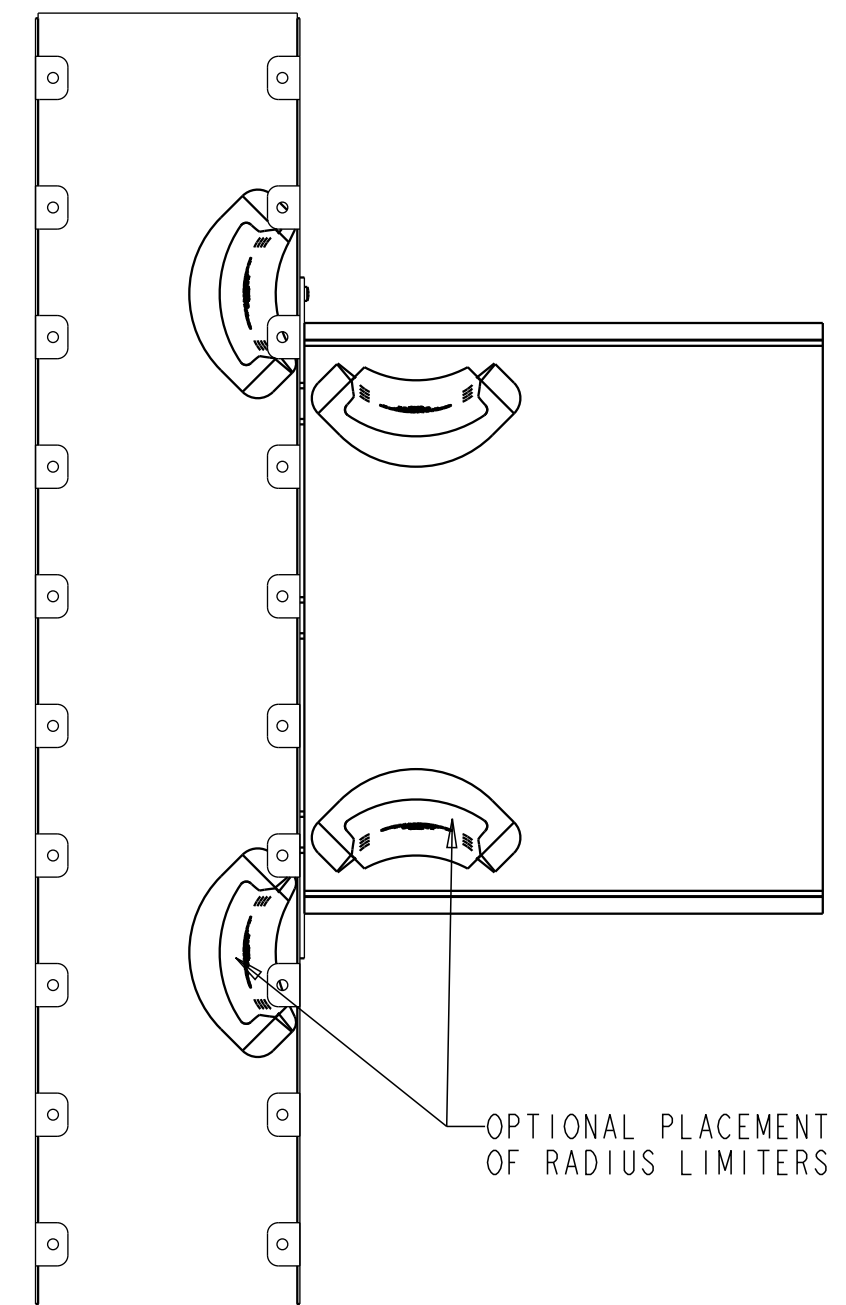
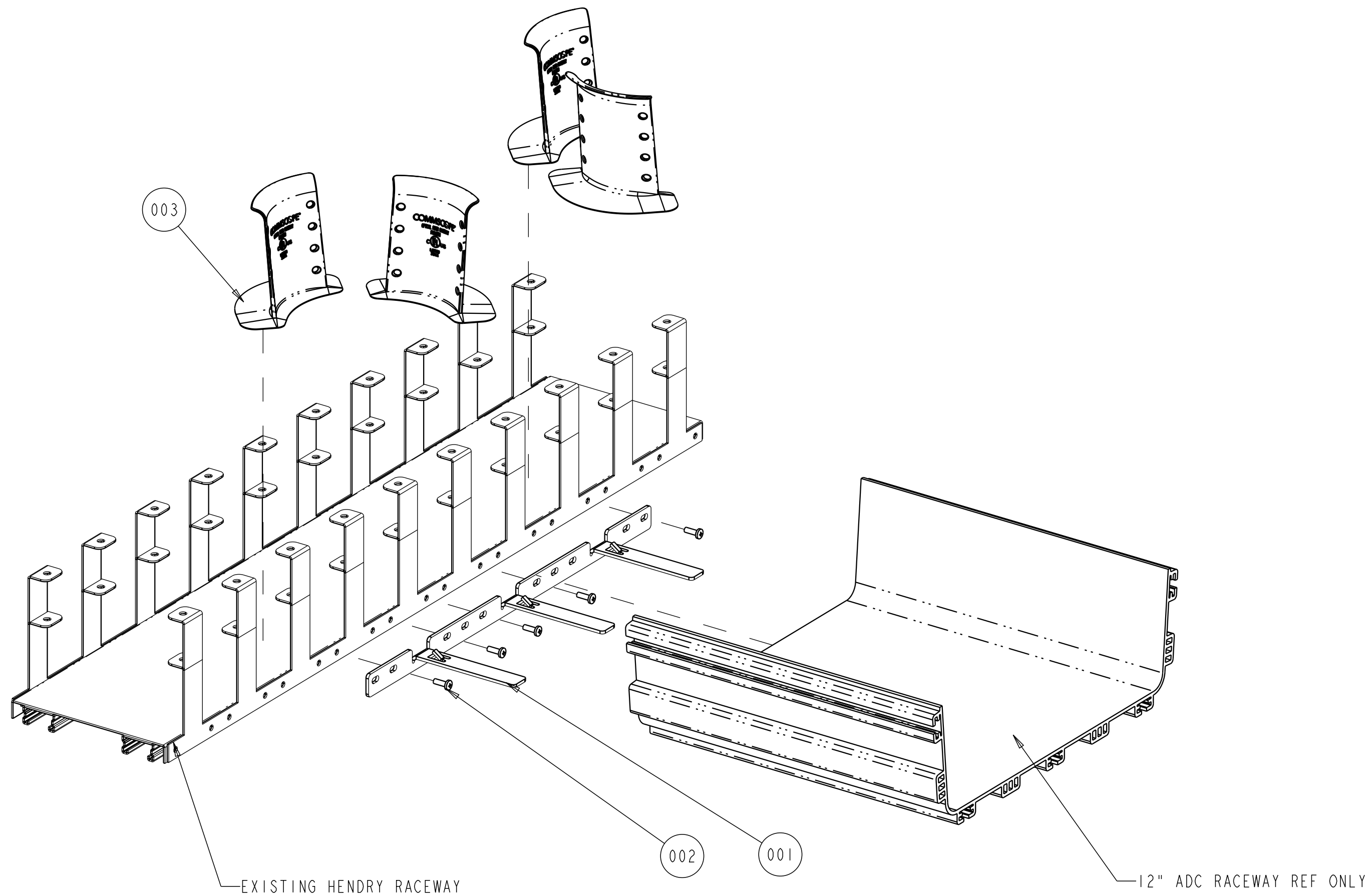


FIGURE 1
12 INCH JUNCTION

CUSTOMER NOTES:

- ITEMS INCLUDED WITH KIT:
 - (1) RACEWAY JUNCTION
 - (6) #10-32 PAN HEAD SCREWS
 - (SEE TAB) RADIUS LIMITERS (PACKS OF TWO)
- ATTACH RADIUS LIMITERS TO MEET FIBER RADIUS REQUIREMENTS.
- WARNING:
NEVER INSTALL TELEPHONE EQUIPMENT IN A WET LOCATION OR DURING A LIGHTING STORM. WHEN INSTALLING OR MODIFYING TELEPHONE LINES, DISCONNECT LINES AT THE NETWORK INTERFACE BEFORE WORKING WITH UNINSULATED LINES OR TERMINALS.
- FOR ADDITIONAL INFORMATION, PLEASE CALL THE COMMSCOPE PRODUCT INFORMATION CENTER AT (TOLL FREE) 1-800-366-3891.

CATALOG NUMBER	DESCRIPTION	QTY OF RADIUS LIMITERS	FIGURE
FGS-ACC509	12" JUNCTION	4	1
FGS-ACC508	6" JUNCTION	2	2
FGS-ACC507	4" JUNCTION	2	3

<small>© 2016 COMMSCOPE, INC. CONFIDENTIAL NOTICE: THESE DRAWINGS AND SPECIFICATIONS ARE THE PROPRIETARY PROPERTY OF COMMSCOPE, INC. AND MAY BE USED ONLY FOR THE SPECIFIC PURPOSE AUTHORIZED IN WRITING BY COMMSCOPE, INC.</small>		TITLE INSTALLATION DRW 4/6/12" FGS HENDRY ADAPTER KITS	
<small>ALL DIMS AND TOLERANCES ARE INCHES UNLESS OTHERWISE SPECIFIED</small>		C SIZE	DRAWING NUMBER 300100102578
DO NOT SCALE DRAWING		ENGR: RUBEN ARVILLA DWN: OMAR A. VALDEZ	B REV SHT. 1 OF 3

COMMSCOPE, INC.

**DIMENSIONS IN INCHES
THIRD ANGLE PROJECTION**

A

B

C

D

1

2

3

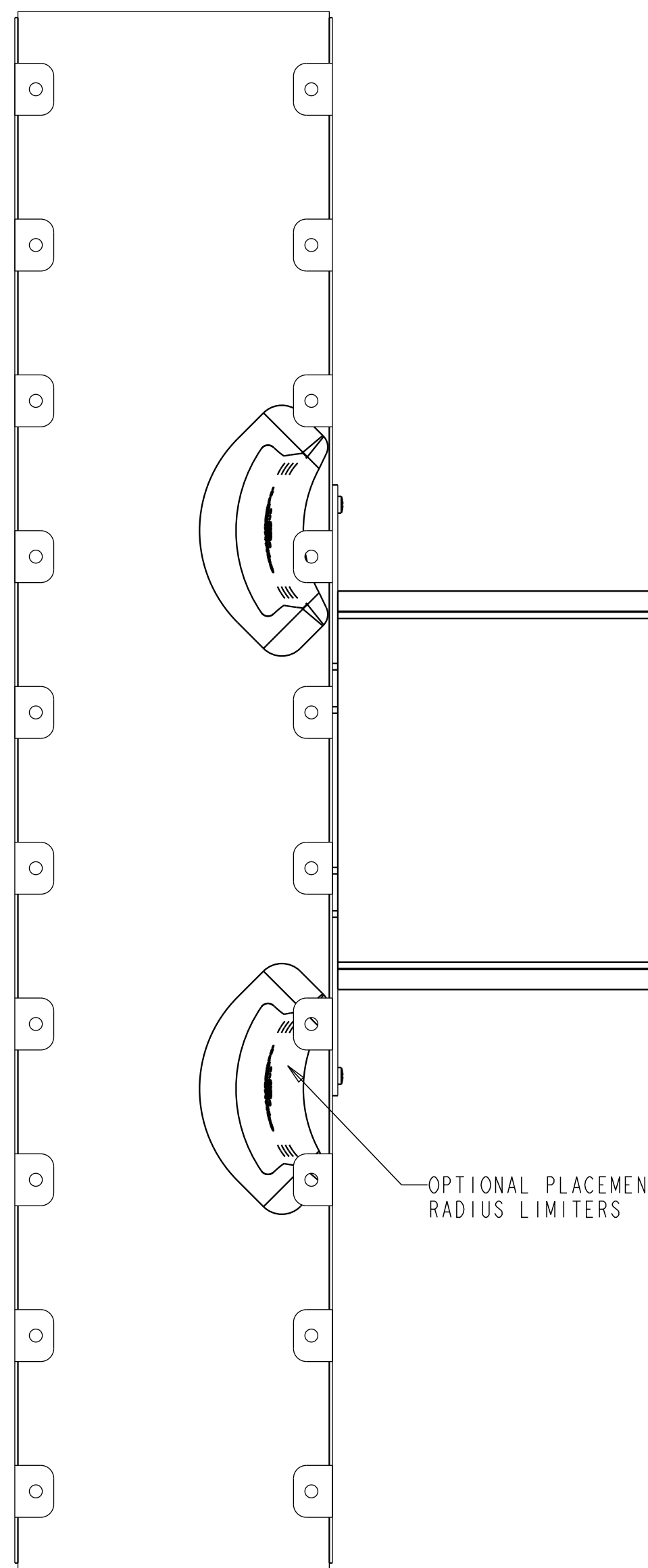
4

1

2

3

4



EXISTING HENDRY RACEWAY

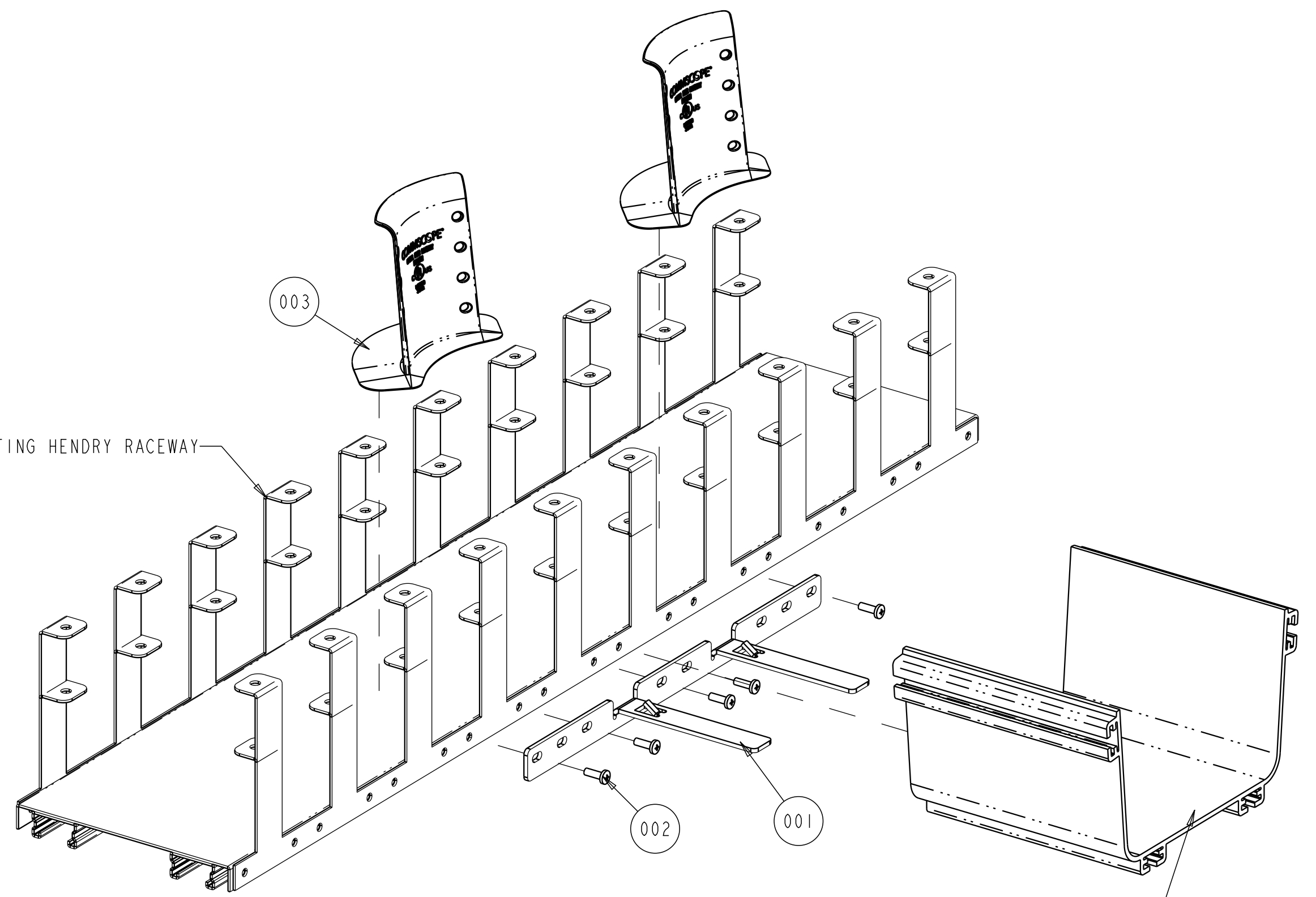


FIGURE 2
6 INCH JUNCTION

COMMSCOPE, INC.

<small>© 2016 COMMSCOPE, INC. CONFIDENTIAL NOTICE: THESE DRAWINGS AND SPECIFICATIONS ARE THE PROPRIETARY PROPERTY OF COMMSCOPE, INC. AND MAY BE USED ONLY FOR THE SPECIFIC PURPOSE AUTHORIZED IN WRITING BY COMMSCOPE, INC.</small>	TITLE INSTALLATION DRW 4/6/12" FGS HENDRY ADAPTER KITS		B REV
	ALL DIMS AND TOLERANCES .XX:±xx ARE INCHES UNLESS .XXX:±xxx OTHERWISE SPECIFIED ANGULAR:±N/A	C SIZE	
DO NOT SCALE DRAWING	ENGR: RUBEN ARVILLA DWN: OMAR A. VALDEZ	SHT. 2 OF 3	

DIMENSIONS IN INCHES
THIRD ANGLE PROJECTION

A

B

C

D

1

2

3

4

1

2

3

4

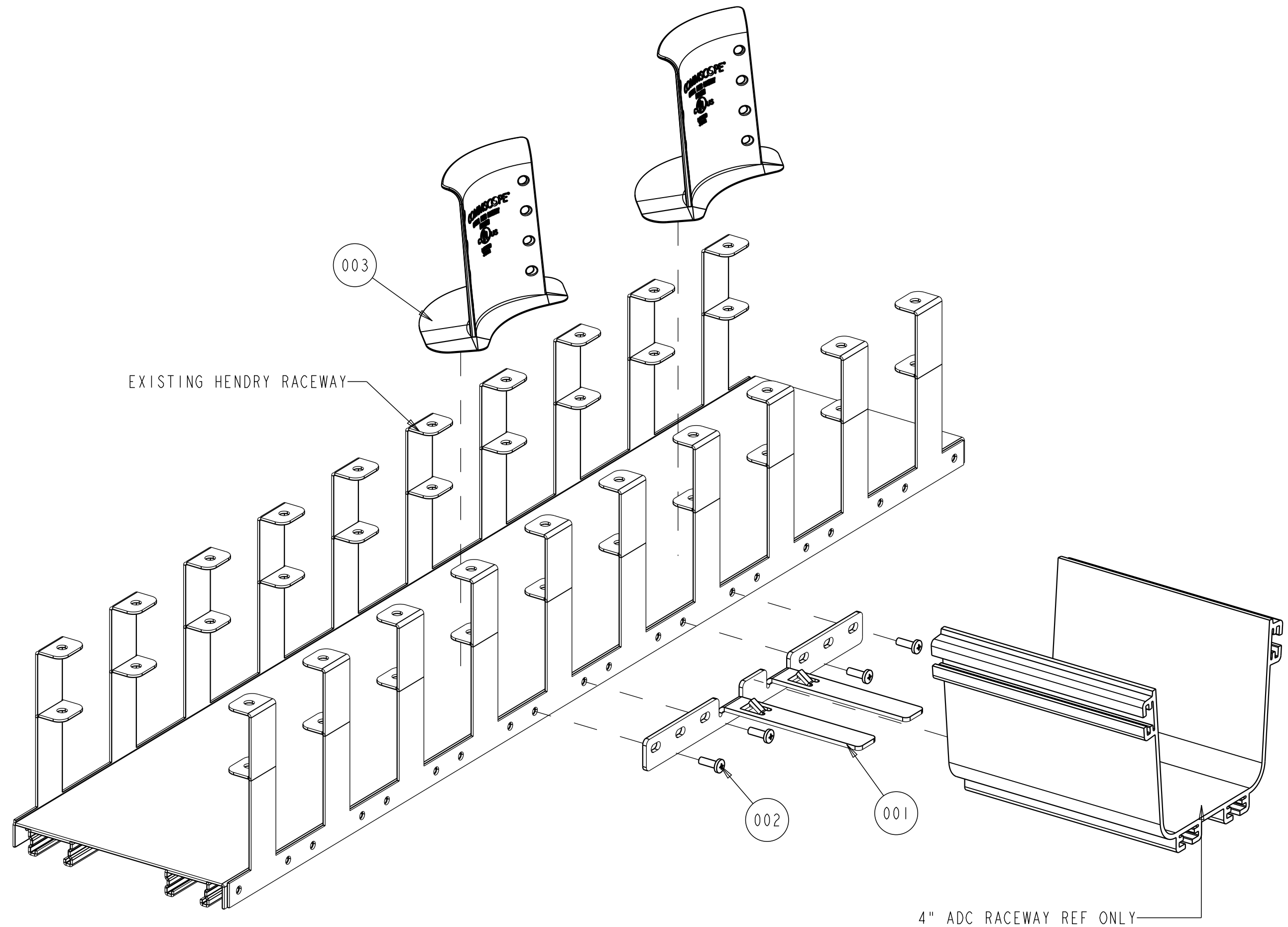
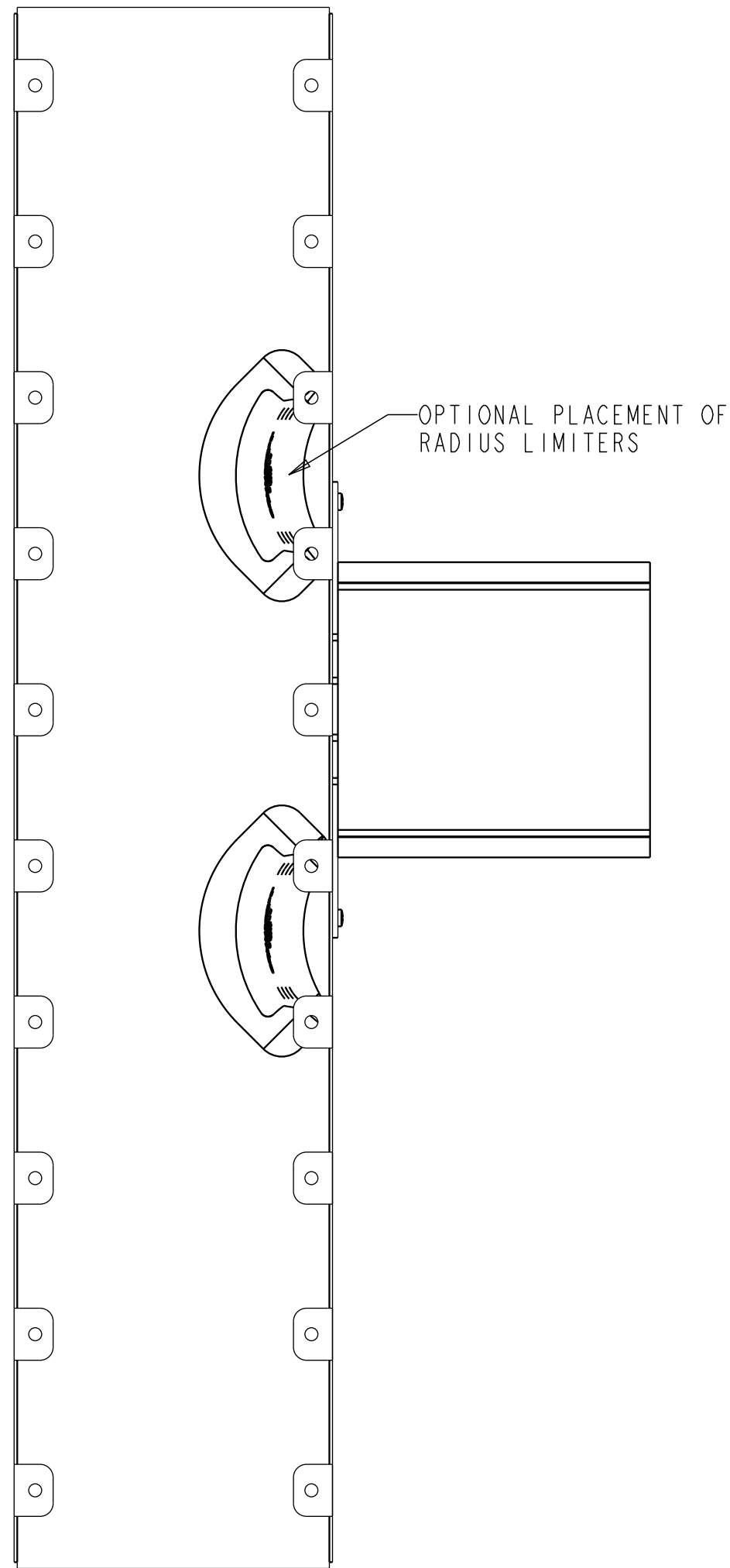
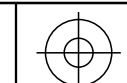


FIGURE 3
4 INCH JUNCTION

COMMSCOPE, INC.

<small>© 2016 COMMSCOPE, INC. CONFIDENTIAL NOTICE: THESE DRAWINGS AND SPECIFICATIONS ARE THE PROPRIETARY PROPERTY OF COMMSCOPE, INC. AND MAY BE USED ONLY FOR THE SPECIFIC PURPOSE AUTHORIZED IN WRITING BY COMMSCOPE, INC.</small>		TITLE INSTALLATION DRW 4/6/12" FGS HENDRY ADAPTER KITS	
<small>ALL DIMS AND TOLERANCES .XX:±.XX ARE INCHES UNLESS .XXX:±.XXX OTHERWISE SPECIFIED ANGULAR:±N/A</small>		C SIZE 300100102578	B REV
DO NOT SCALE DRAWING		ENGR: RUBEN ARVILLA DWN: OMAR A. VALDEZ	SHT. 3 OF 3



DIMENSIONS IN INCHES
THIRD ANGLE PROJECTION