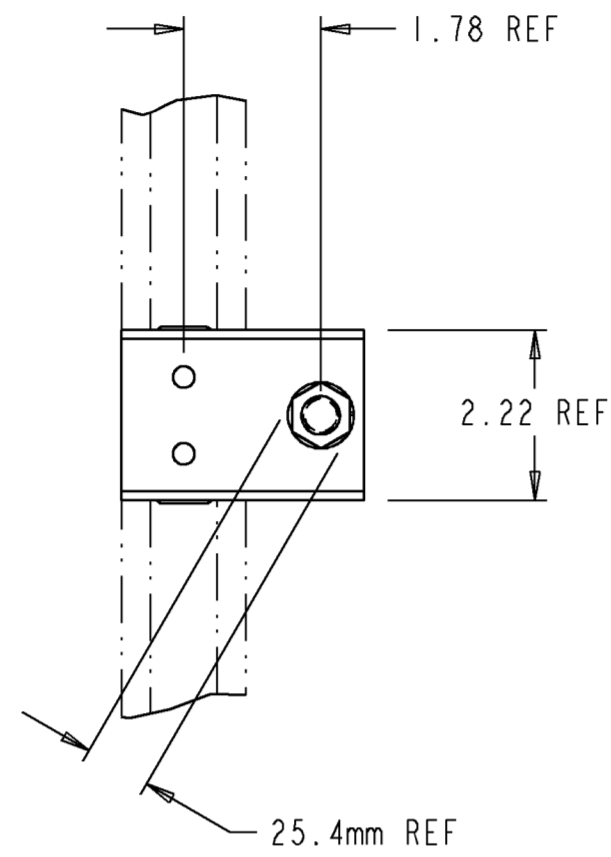
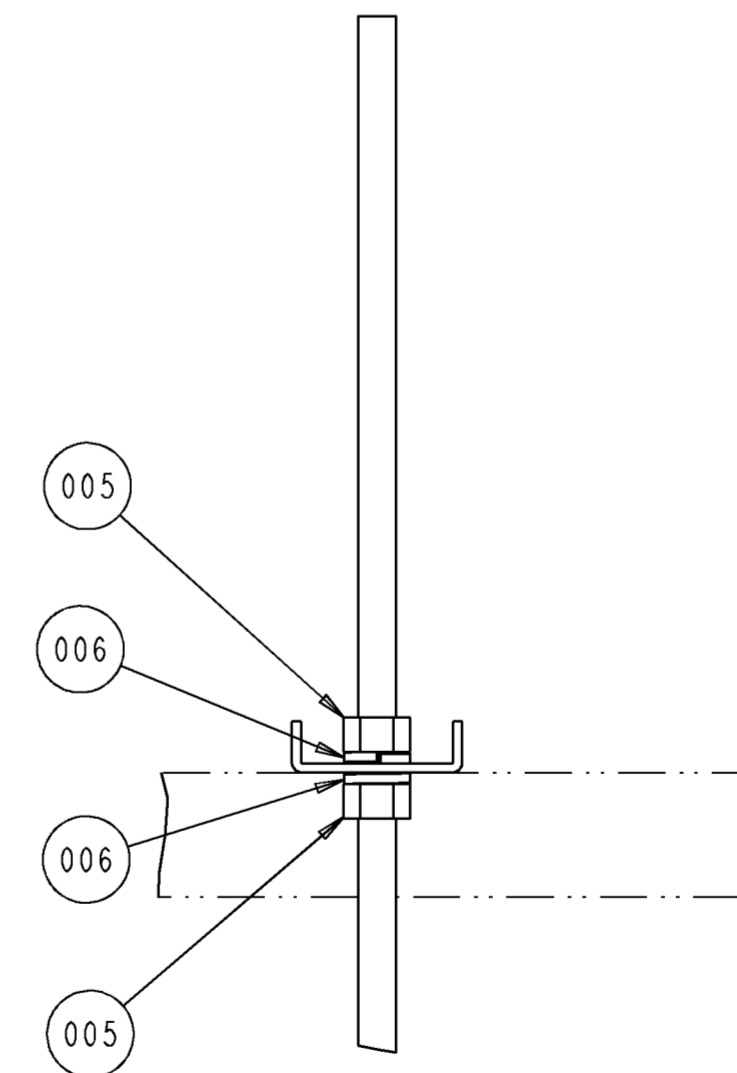
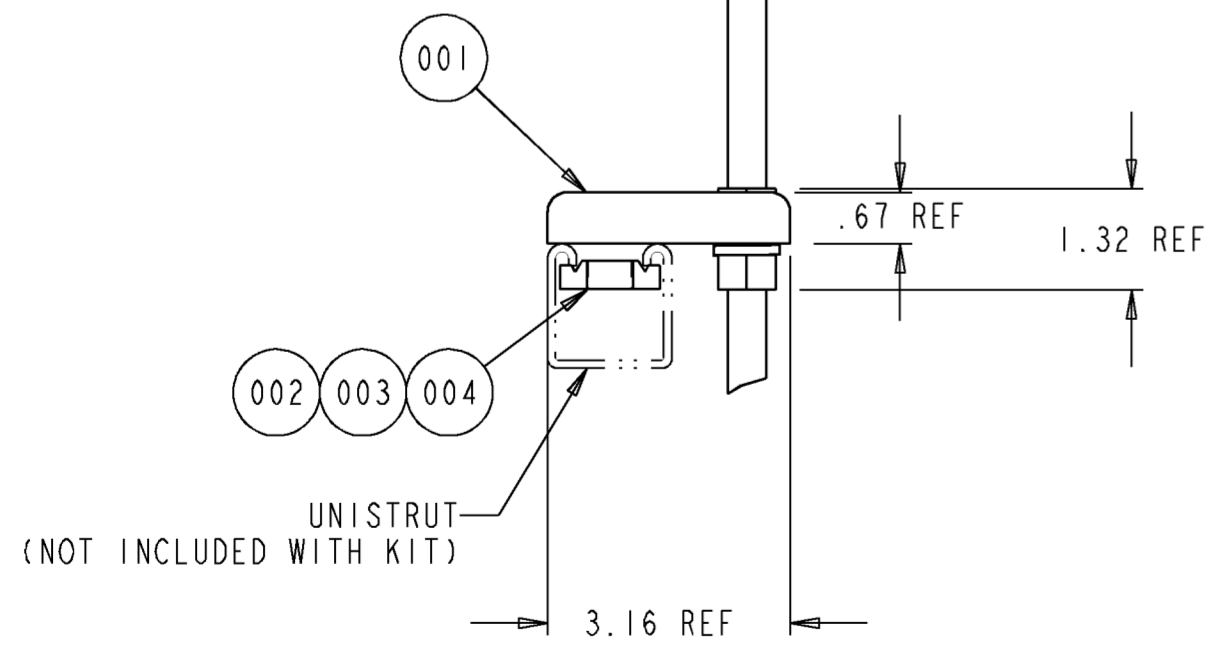
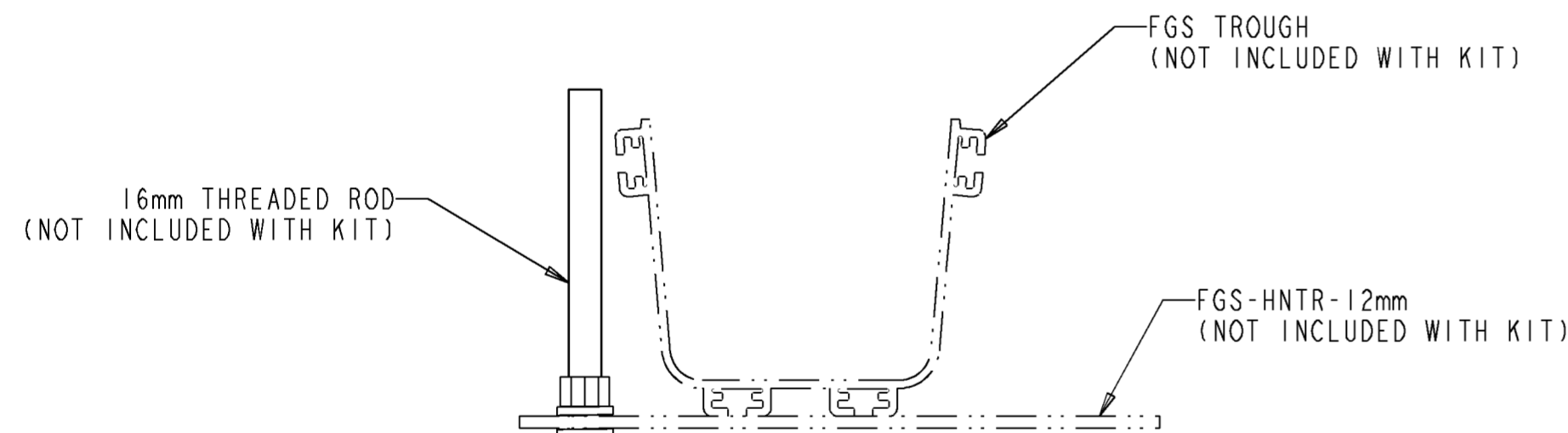


REV	MCO	DWN	DATE
A	20248068	RCR	05-SEP-08
B	20267064	RRM	12-JUN-09



ITEM	DESCRIPTION	QTY
001	STRUT BRACKET	1
002	1/4-20 NUT WITH SPRING	2
003	1/4-20 HEX SCREW	2
004	1/4" LOCK WASHER	2
005	16mm HEX NUT	2
006	16mm LOCK WASHER	2



CATALOG NUMBER: FGS-HDGR-16MM



INFORMATION ON THIS DOCUMENT IS PROPRIETARY TO ADC AND SHALL NOT BE USED, COPIED, REPRODUCED OR DISCLOSED IN WHOLE OR IN PART WITHOUT WRITTEN CONSENT OF ADC.

ALL DIMS AND TOLERANCES ARE INCHES UNLESS OTHERWISE SPECIFIED

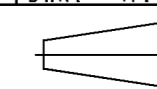
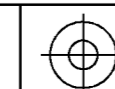
DO NOT SCALE DRAWING

TITLE FIBERGUIDES STRUT BKT INSTALLATION DRAWING

DRAWING NUMBER 1452710

ENGR: J. BARRAZA
DWN: R. CAZARES

SHT. 1 OF 1



DIMENSIONS IN INCHES
THIRD ANGLE PROJECTION