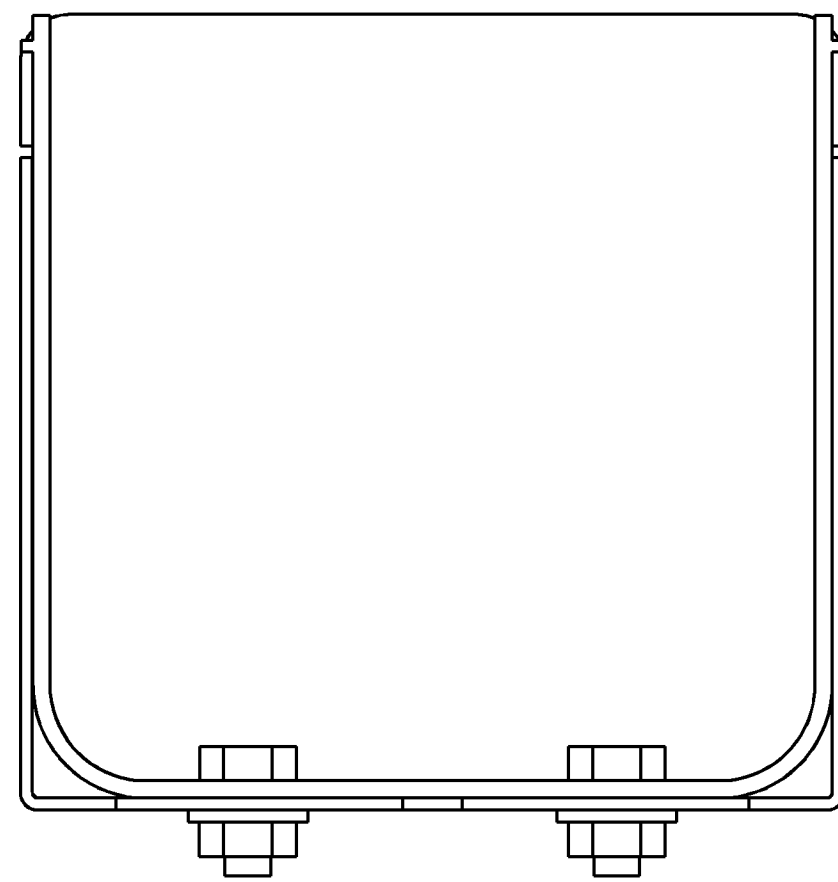
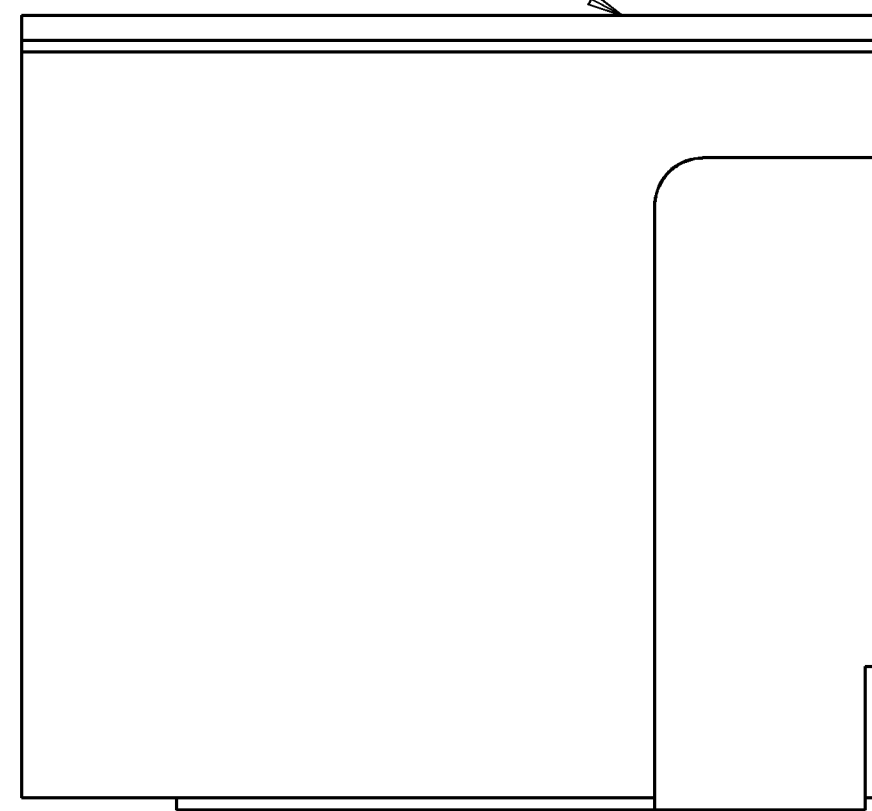


REV	ECO	DWN	DATE
A	99389A	MV	01-26-94
B	2006757I	SNF	28-AUG-00

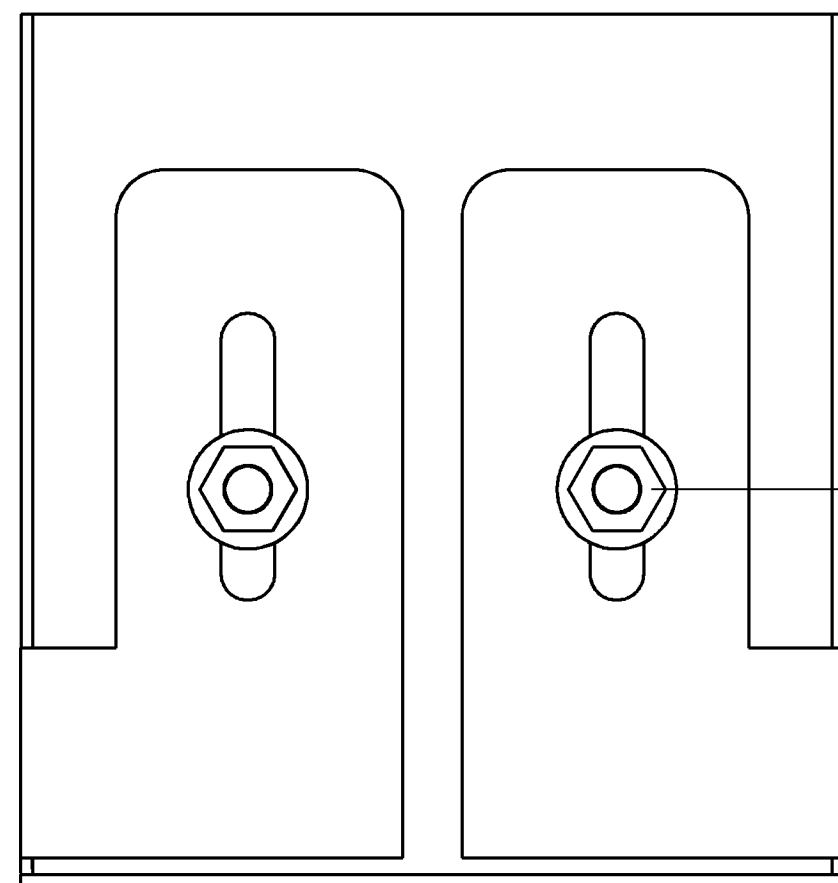


4" VERTICAL
CABLE TROUGH
REF

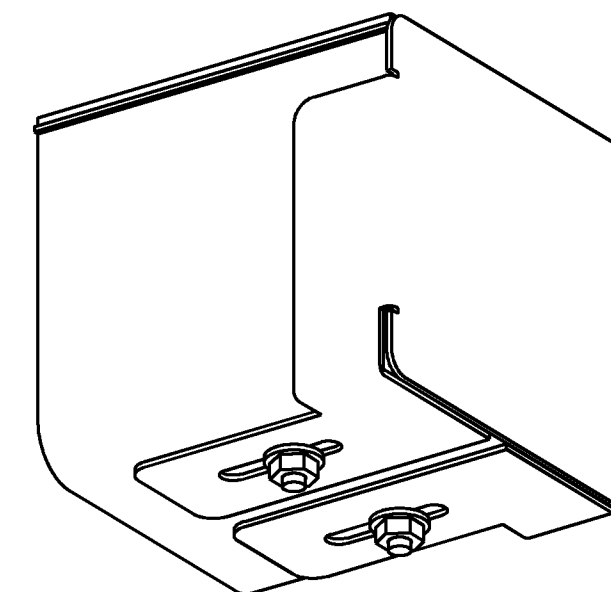


END CAP

SCREW, LOCKWASHER,
NUT



2.08 REF



NOTES:

1. ITEMS INCLUDED WITH KIT:

- (1) END CAP
- (2) SCREW .25-50 X .5
- (2) NUT .25-20
- (2) LOCKWASHER .25
- (1) LABEL FIBERGUIDE CABLE

CATALOG#: FGS-HMEC-D



INFORMATION ON THIS DOCUMENT IS
PROPRIETARY TO ADC AND SHALL
NOT BE USED, COPIED, REPRODUCED
OR DISCLOSED IN WHOLE OR IN PART
WITHOUT WRITTEN CONSENT OF ADC.

TITLE
KIT, 4" VERT END CAP
(INSTALLATION DRAWING)

TOLERANCE UNLESS .XX: N/A
OTHERWISE SPECIFIED .XXX: N/A
ANGULAR: N/A

C DRAWING NUMBER B
SIZE 4-29000-4806 REV



DO NOT
SCALE DRAWING

ENGR: JIM BRANDT
DWN: MICHAEL VILLAS

SHT. 1 OF 1