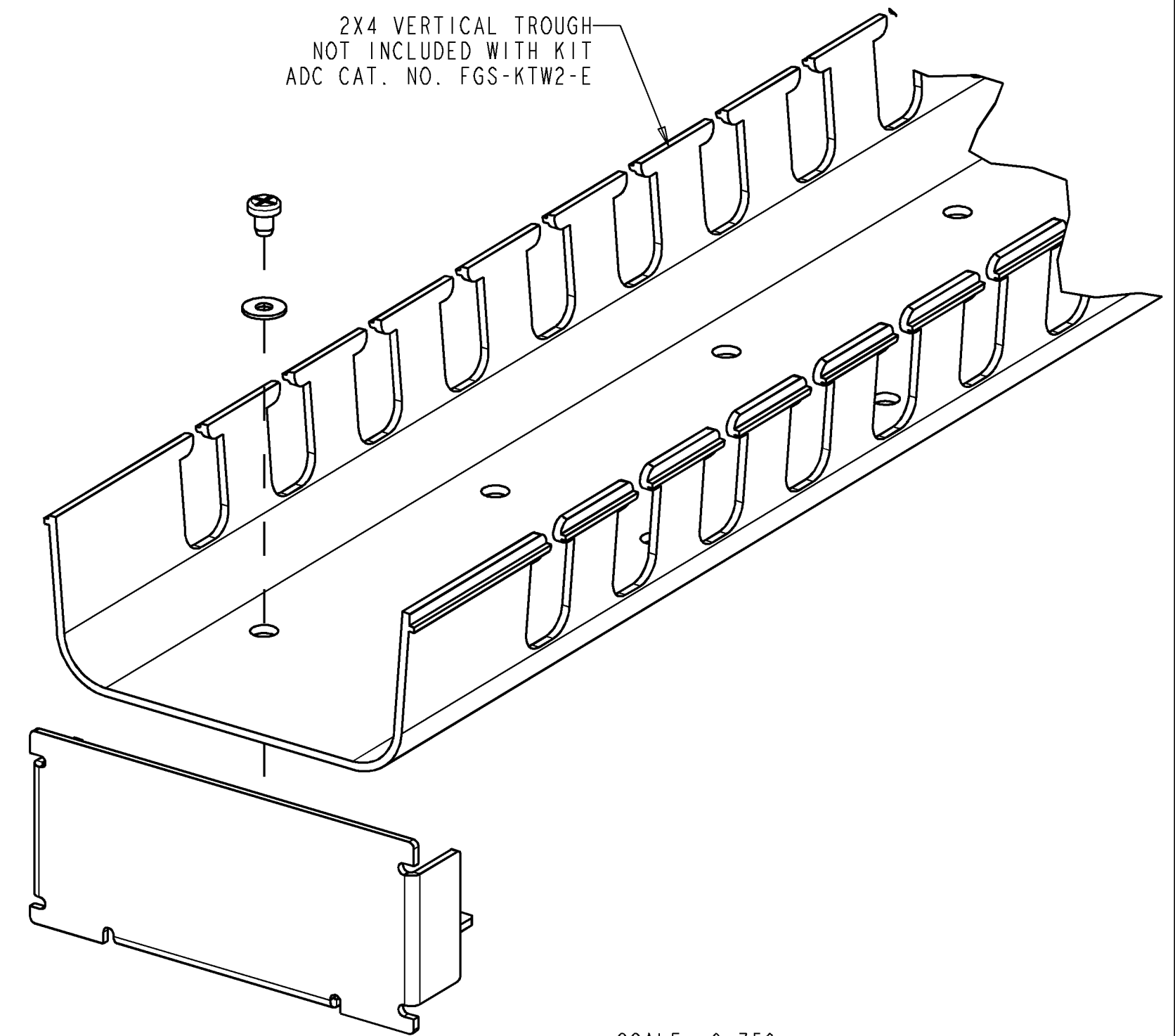
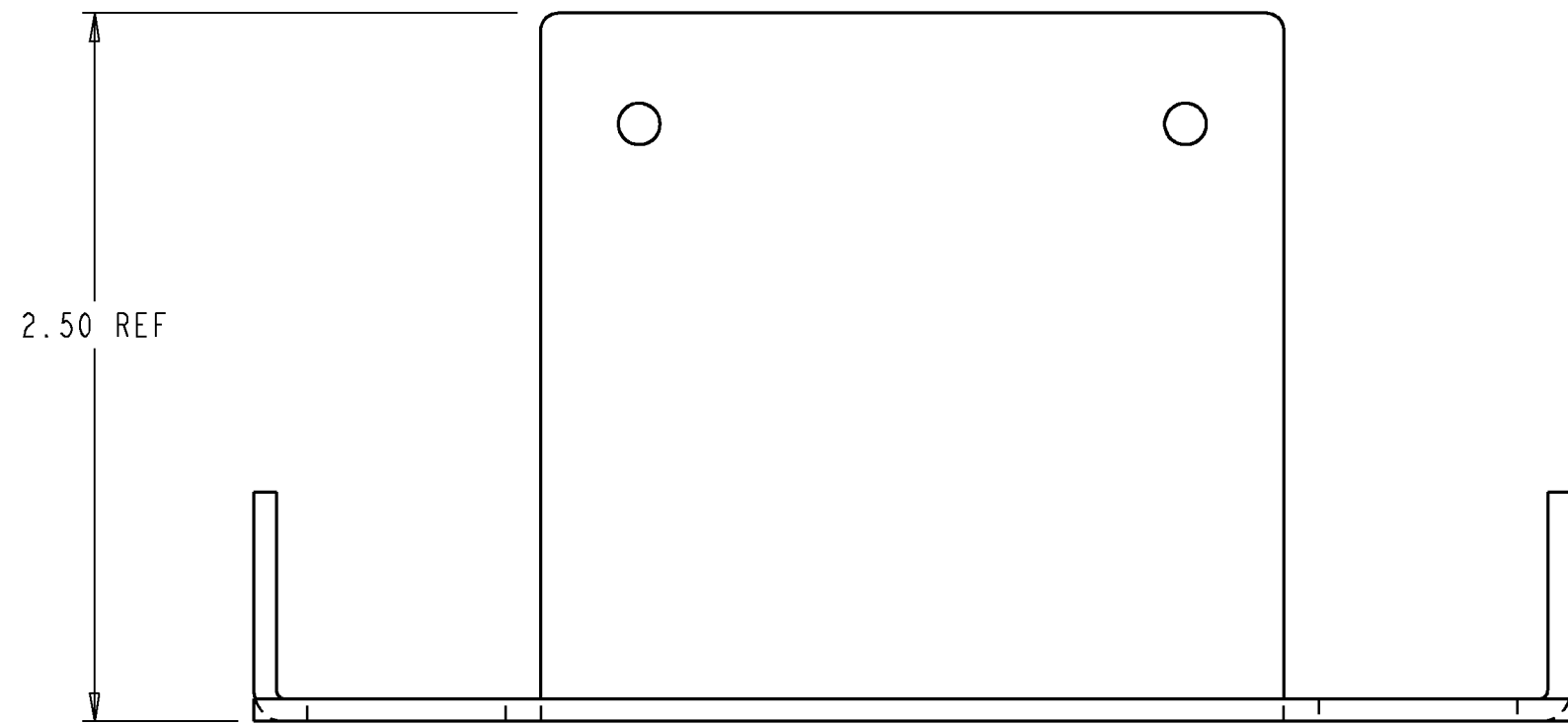


REV	MCO	DWN	DATE
A	20142752	RLL	08-DEC-03



SCALE 0.750

NOTES:

1. INCLUDED WITH UNIT:
 1. (1) 4X2 ENDCAP
 2. (2) #8 WASHERS
 3. (2) #8 SCREWS
 4. (1) INSTALLATION DRAWING
2. WARNING:
NEVER INSTALL TELEPHONE EQUIPMENT IN A WET LOCATION OR DURING A LIGHTING STORM. WHEN INSTALLING OR MODIFYING TELEPHONE LINES, DISCONNECT LINES AT THE NETWORK INTERFACE BEFORE WORKING WITH UNINSULATED LINES OR TERMINALS.
3. FOR ADDITIONAL INFORMATION, PLEASE CALL THE ADC PRODUCT INFORMATION CENTER AT (TOLL FREE) 1-800-366-3891.

CATALOG NUMBER: FGS-HMEC-E



<small>INFORMATION ON THIS DOCUMENT IS PROPRIETARY TO ADC AND SHALL NOT BE USED, COPIED, REPRODUCED OR DISCLOSED IN WHOLE OR IN PART WITHOUT WRITTEN CONSENT OF ADC.</small>	<small>TITLE</small> 4X2 ENDCAP FGS KIT	
	<small>ALL DIMS AND TOLERANCES ARE INCHES UNLESS OTHERWISE SPECIFIED</small> .XX:±.XX .XXX:±.XXX ANGULAR:±N/7A	<small>C SIZE</small> DRAWING NUMBER 1280006
<small>DO NOT SCALE DRAWING</small>		<small>ENGR:</small> RYAN LINDQUIST <small>DWN:</small> RYAN LINDQUIST

**DIMENSIONS IN INCHES
THIRD ANGLE PROJECTION**