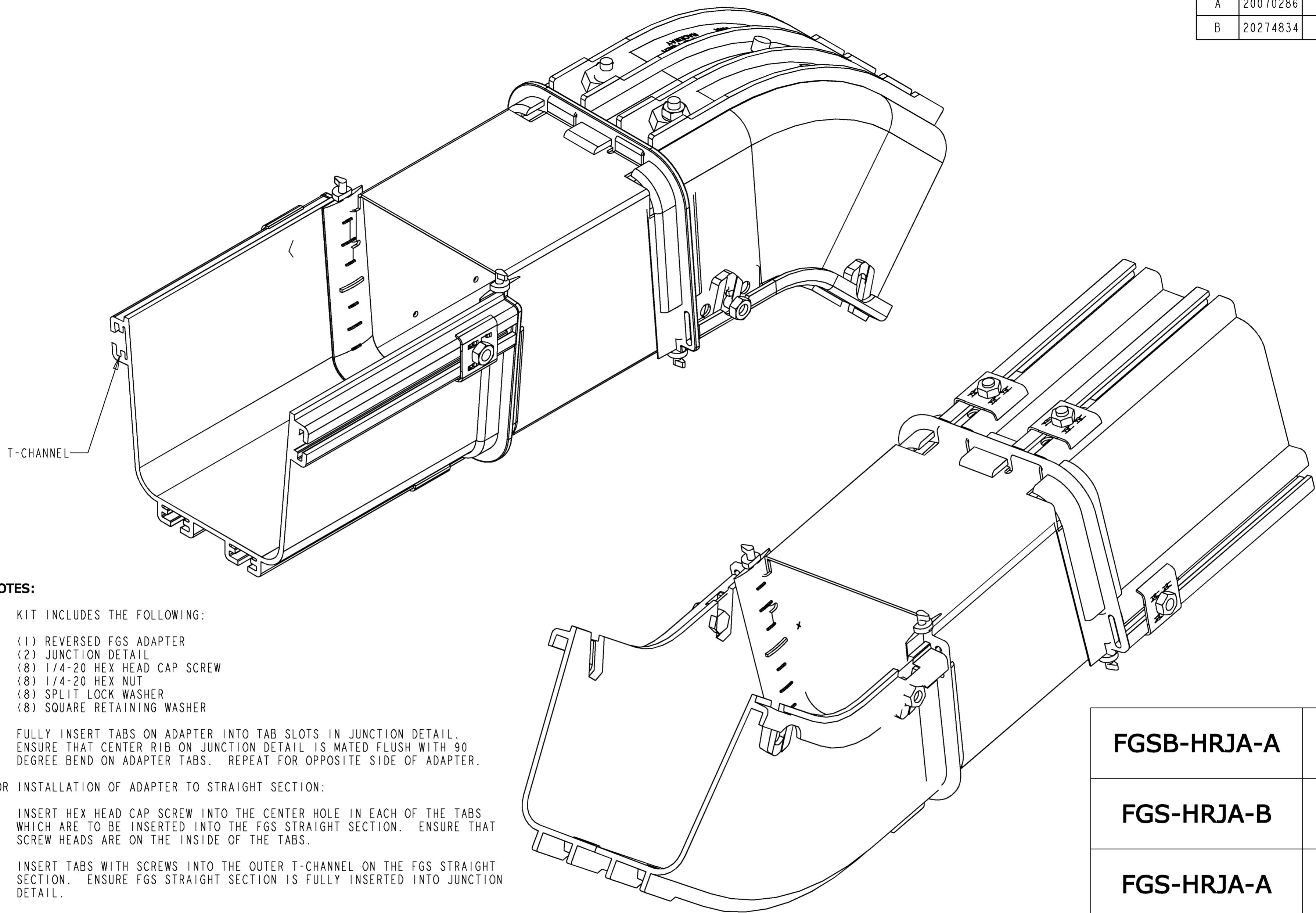


REV	MCO	DWN	DATE
A	20070286	CDZ	25-SEP-00
B	20274834	GCC	14-OCT-09



**NOTES:**

1. KIT INCLUDES THE FOLLOWING:

- (1) REVERSED FGS ADAPTER
- (2) JUNCTION DETAIL
- (8) 1/4-20 HEX HEAD CAP SCREW
- (8) 1/4-20 HEX NUT
- (8) SPLIT LOCK WASHER
- (8) SQUARE RETAINING WASHER

2. FULLY INSERT TABS ON ADAPTER INTO TAB SLOTS IN JUNCTION DETAIL. ENSURE THAT CENTER RIB ON JUNCTION DETAIL IS MATED FLUSH WITH 90 DEGREE BEND ON ADAPTER TABS. REPEAT FOR OPPOSITE SIDE OF ADAPTER.

FOR INSTALLATION OF ADAPTER TO STRAIGHT SECTION:

- 3. INSERT HEX HEAD CAP SCREW INTO THE CENTER HOLE IN EACH OF THE TABS WHICH ARE TO BE INSERTED INTO THE FGS STRAIGHT SECTION. ENSURE THAT SCREW HEADS ARE ON THE INSIDE OF THE TABS.
- 4. INSERT TABS WITH SCREWS INTO THE OUTER T-CHANNEL ON THE FGS STRAIGHT SECTION. ENSURE FGS STRAIGHT SECTION IS FULLY INSERTED INTO JUNCTION DETAIL.
- 5. ASSEMBLE SQUARE RETAINING WASHERS AND HEX NUTS ONTO HEX HEAD CAP SCREWS INSERTED IN THE TABS. TIGHTEN COMPLETELY.

FOR INSTALLATION OF ADAPTER TO FGS FITTING:

- 6. INSERT FITTING FULLY INTO JUNCTION DETAIL.
- 7. INSERT HEX HEAD CAP SCREW INTO INTO MOLDED HOLES IN FITTING, FROM INSIDE OF FITTING, THROUGH HOLE IN ADAPTER TAB.
- 8. ASSEMBLE SPLIT LOCK WASHERS AND HEX NUTS ONTO HEX HEAD CAP SCREWS. TIGHTEN NUTS DOWN COMPLETELY.

<b>FGSB-HRJA-A</b>	4" FGS
<b>FGS-HRJA-B</b>	6" FGS
<b>FGS-HRJA-A</b>	4" FGS
<b>CATALOG NUMBER</b>	<b>SIZE</b>



INFORMATION ON THIS DOCUMENT IS PROPRIETARY TO ADC AND SHALL NOT BE USED, COPIED, REPRODUCED OR DISCLOSED IN WHOLE OR IN PART WITHOUT WRITTEN CONSENT OF ADC.

ALL DIMS AND TOLERANCES ARE INCHES UNLESS OTHERWISE SPECIFIED

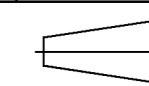
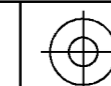
DO NOT SCALE DRAWING

TITLE  
ADPTR, 4" / 6" FGS TO REVERSED 4" / 6" FGS

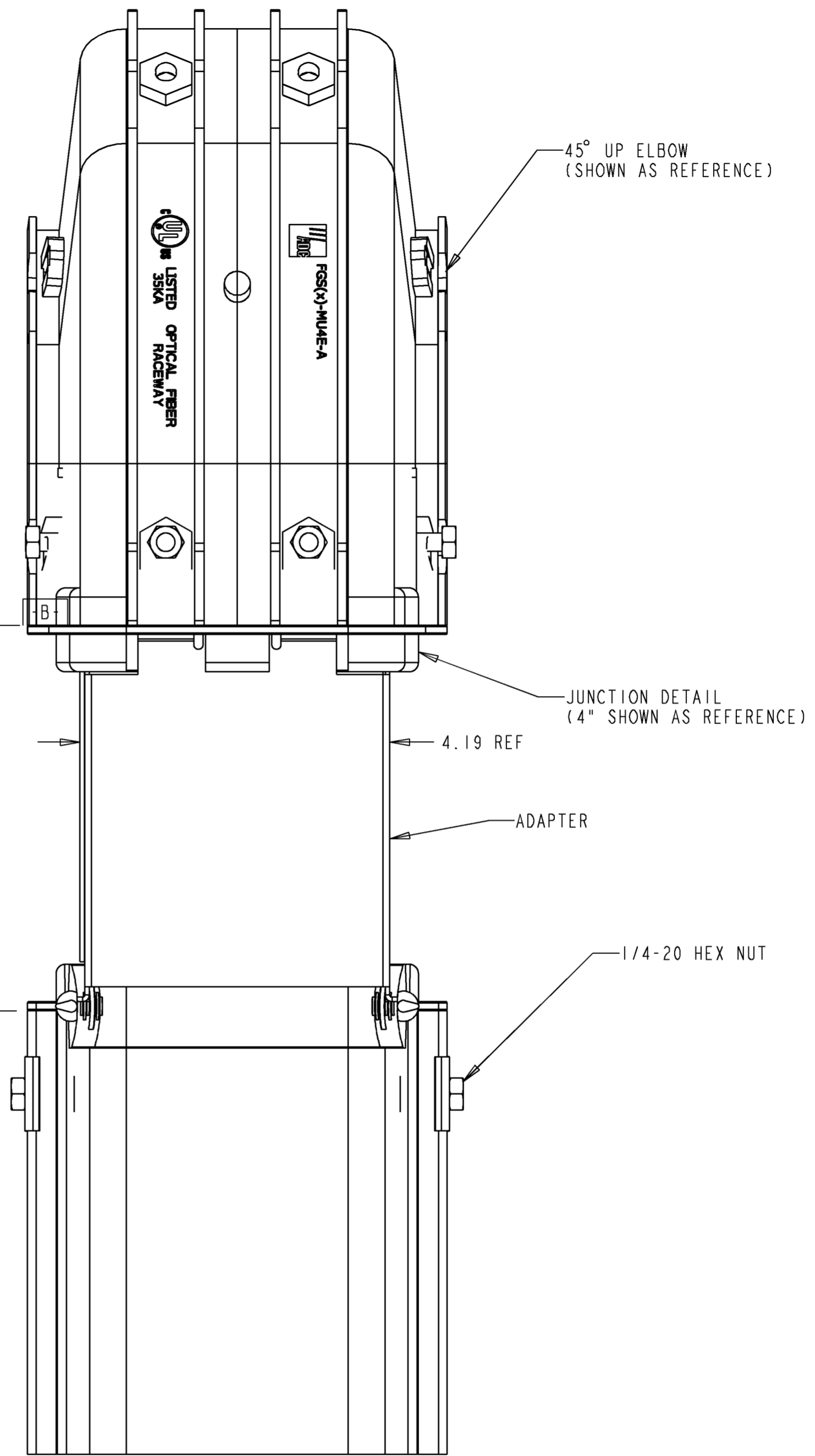
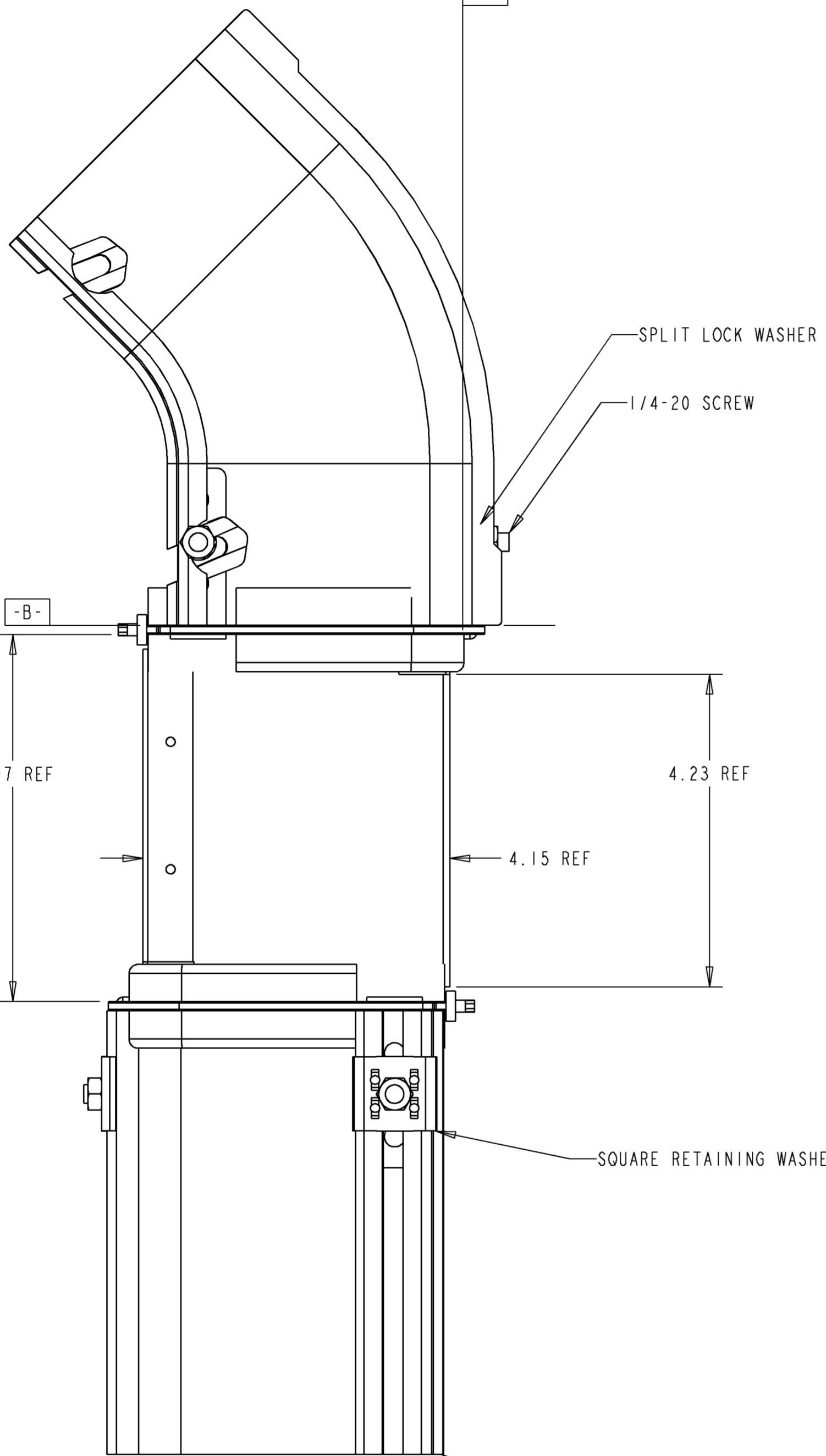
DRAWING NUMBER  
1131881

ENGR: KEVIN HRUBY  
DWN: CRAIG ZELASKO

SHT. 1 OF 2



**DIMENSIONS IN INCHES  
THIRD ANGLE PROJECTION**



INFORMATION ON THIS DOCUMENT IS PROPRIETARY TO ADC AND SHALL NOT BE USED, COPIED, REPRODUCED OR DISCLOSED IN WHOLE OR IN PART WITHOUT WRITTEN CONSENT OF ADC.

ALL DIMS AND TOLERANCES ARE INCHES UNLESS OTHERWISE SPECIFIED

.XX:±.02  
.XXX:±.010  
ANGULAR:±2°

TITLE  
ADPTR 4"/6" FGS TO REVERSED 4"/6" FGS

C  
SIZE

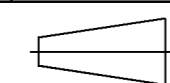
DRAWING NUMBER  
1131881

B  
REV

DO NOT SCALE DRAWING

ENGR: KEVIN HRUBY  
DWN: CRAIG ZELASKO

SHT. 2 OF 2



**DIMENSIONS IN INCHES  
THIRD ANGLE PROJECTION**