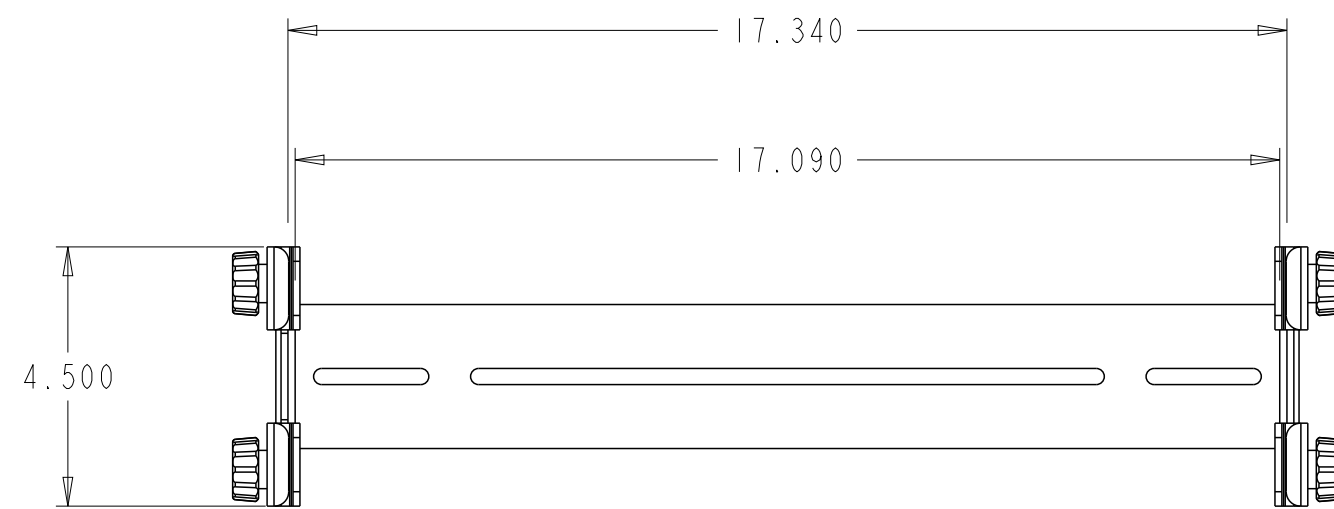
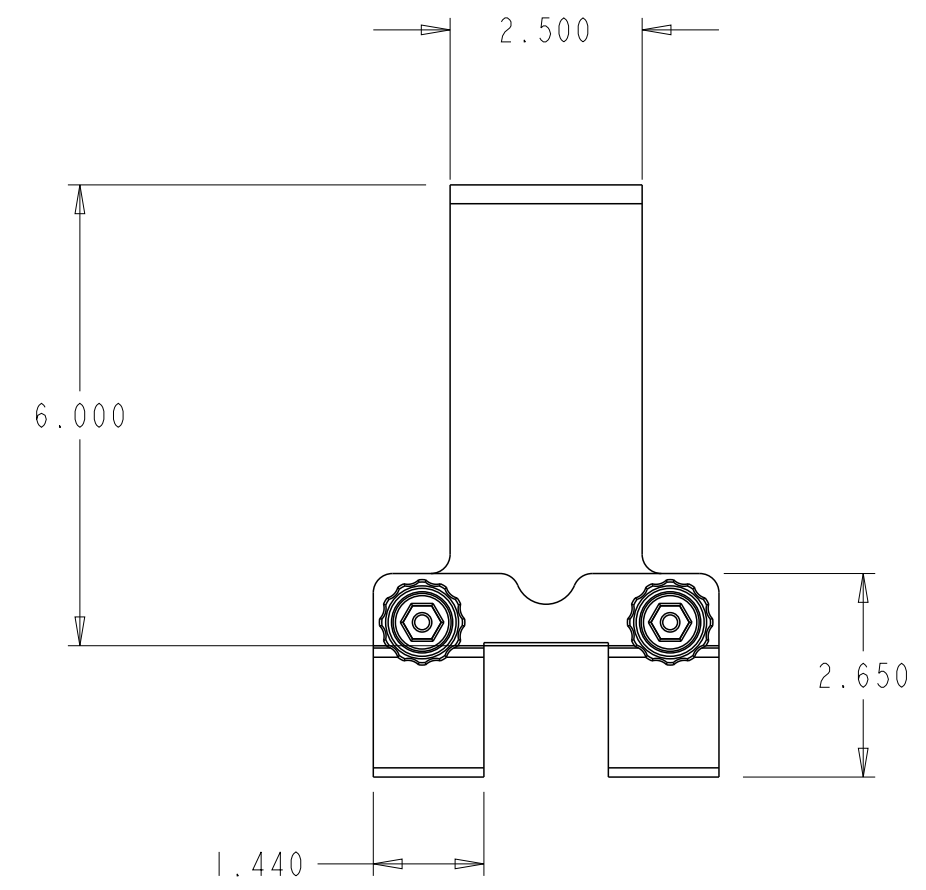
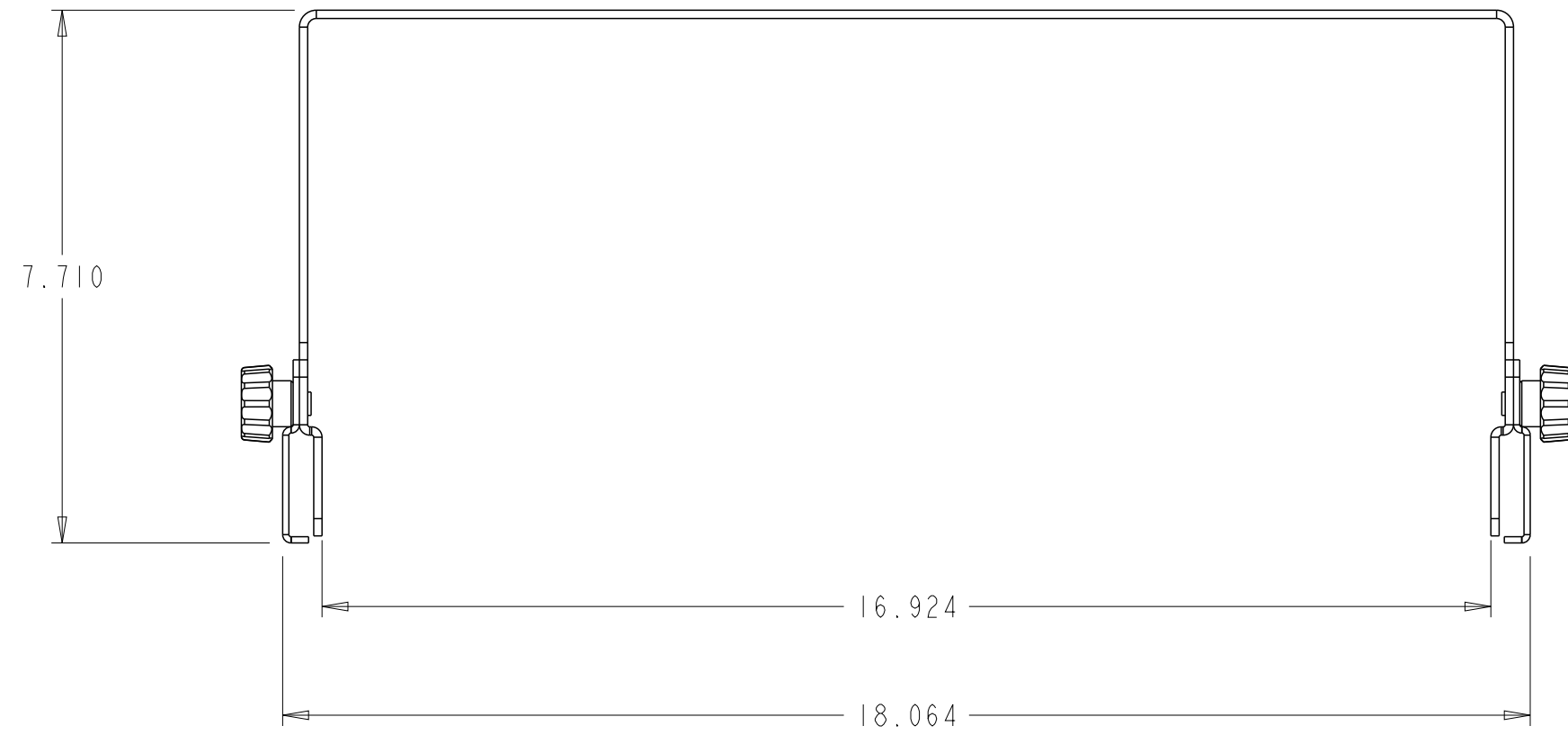
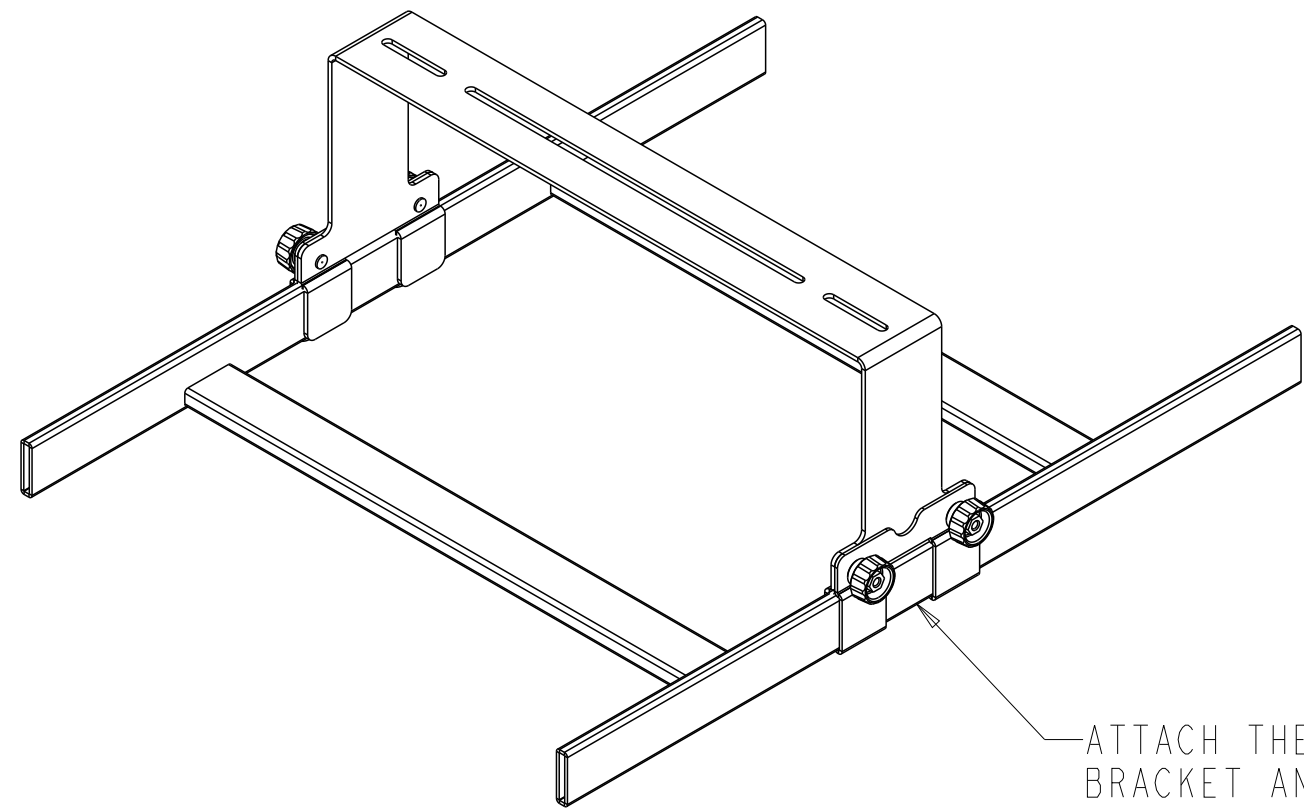


TOOL-LESS FGS SUPPORT BRACKET 18"

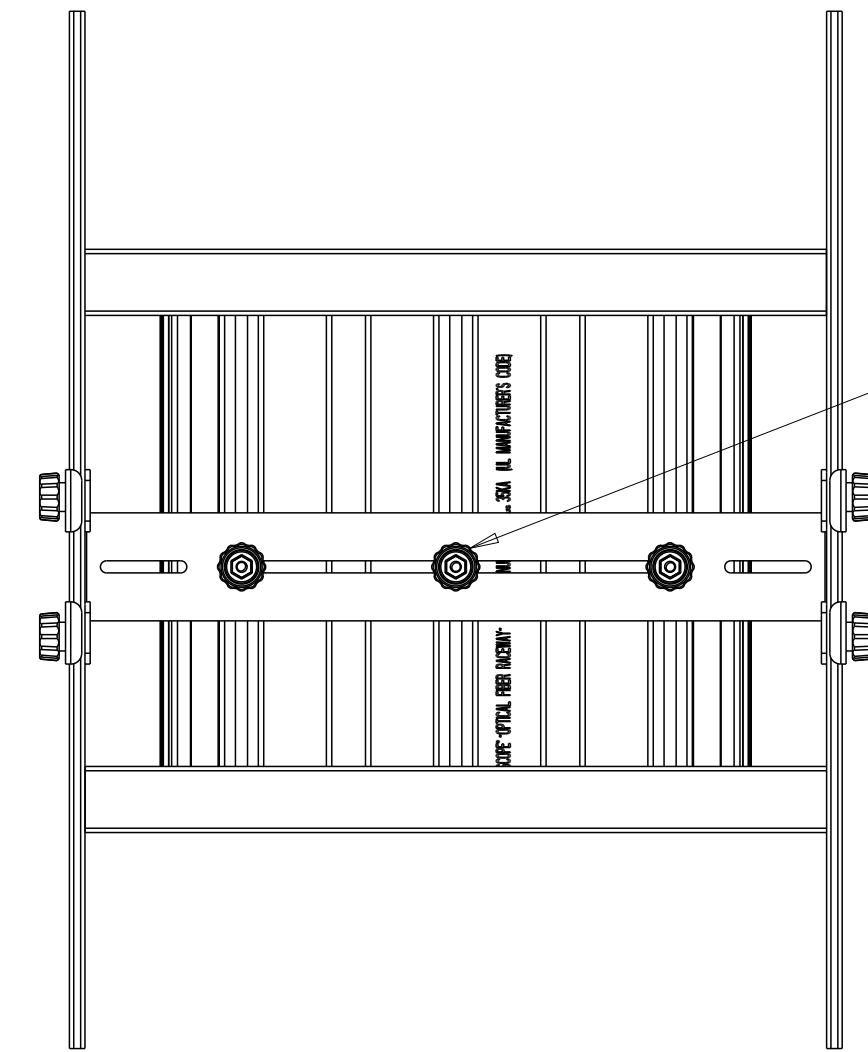


COMMSCOPE, INC.			
DRAFTER MIGUEL MUÑOZ		TITLE HORIZONTAL TOOL-LESS BRKT 18IN WIDE 6IN	
ENGINEER RUBEN ARVILLA		SIZE A2	SCALE 0.250
		DOCUMENT NO. 660003333	
		CUSTOMER DRAWING	
		REVISION A	SHEET 1 OF 4

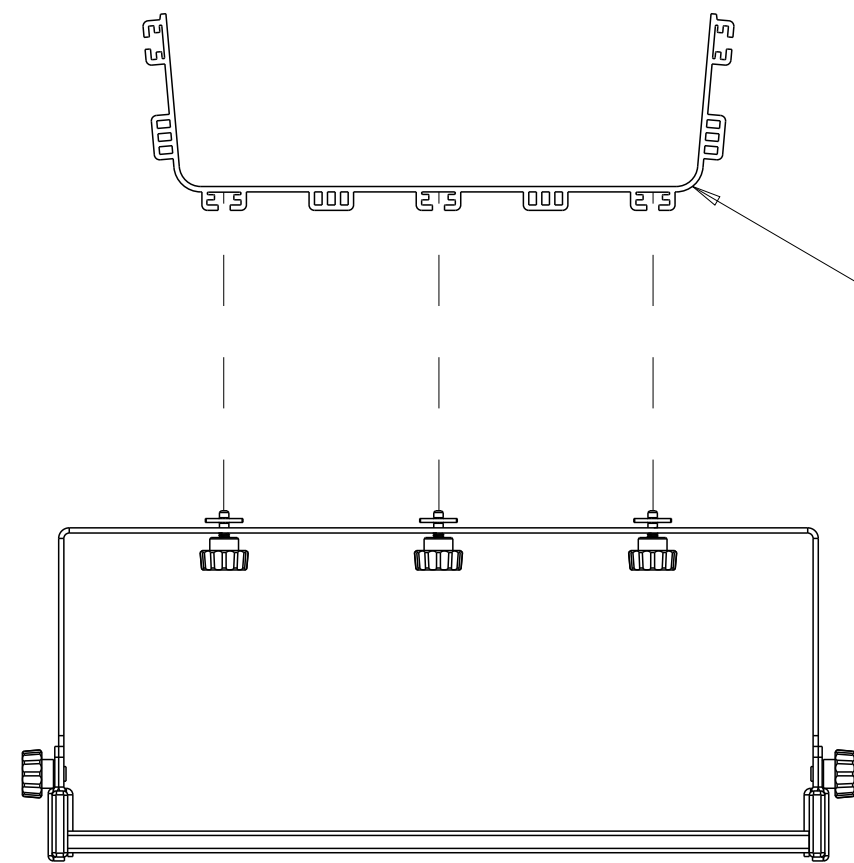
FIBER GUIDE 18"



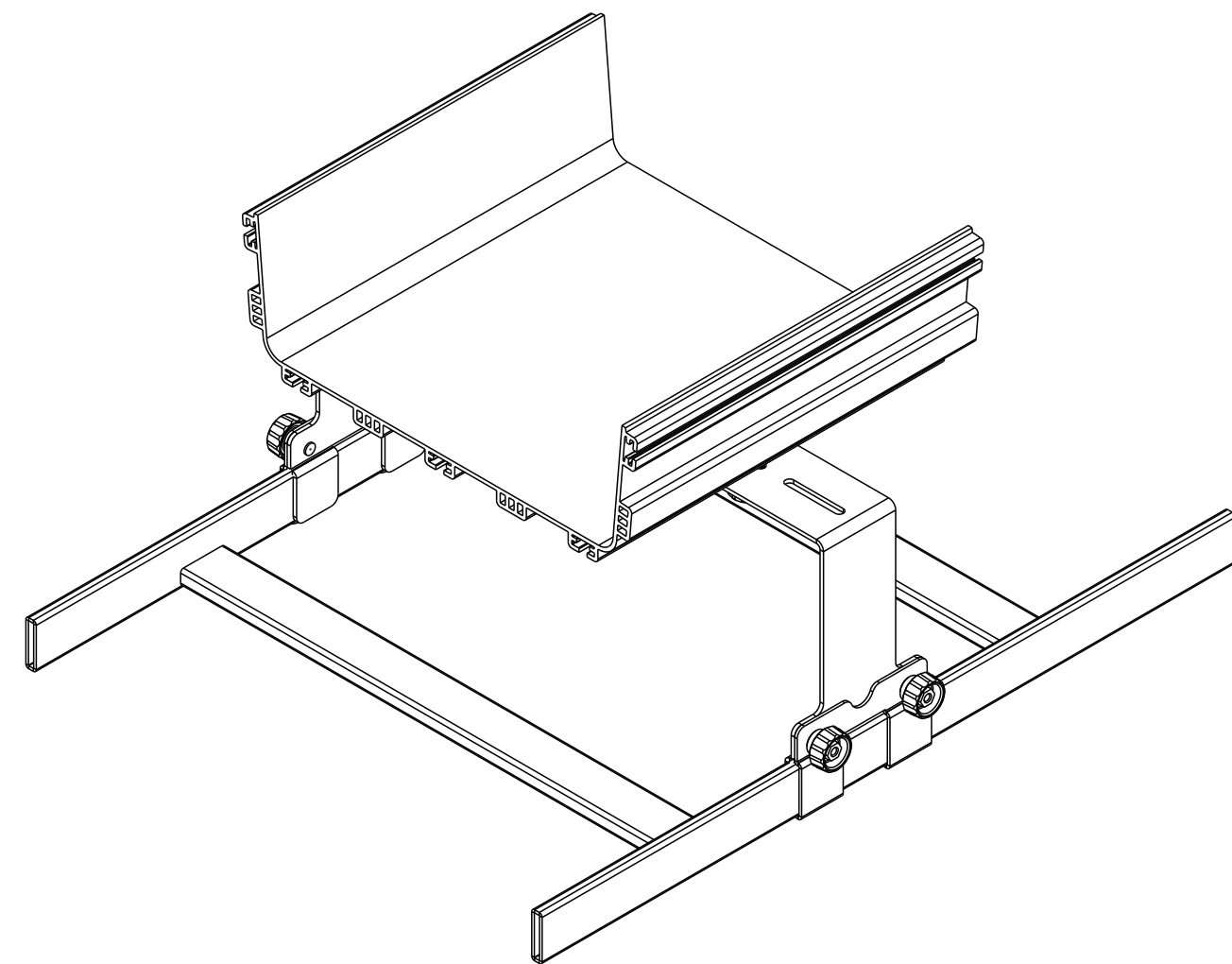
ATTACH THE LADDER SORRAIL WITH THE SUPPORT BRACKET AND SUPPORT TIGHTEN BRACKET.



ATTACH QUICK KNOB WITH T-BOLT WITH THE FIBER GUIDE

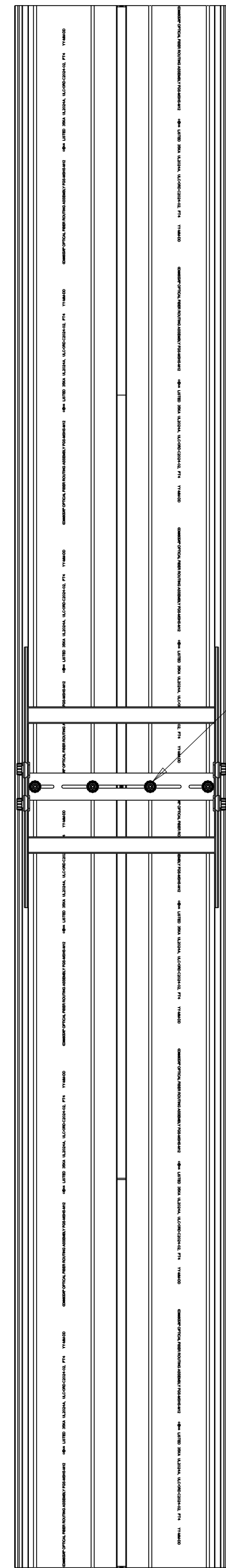


INSERT FIBER GUIDE 12" IN THE QUICK KNOB WITH T-BOLT

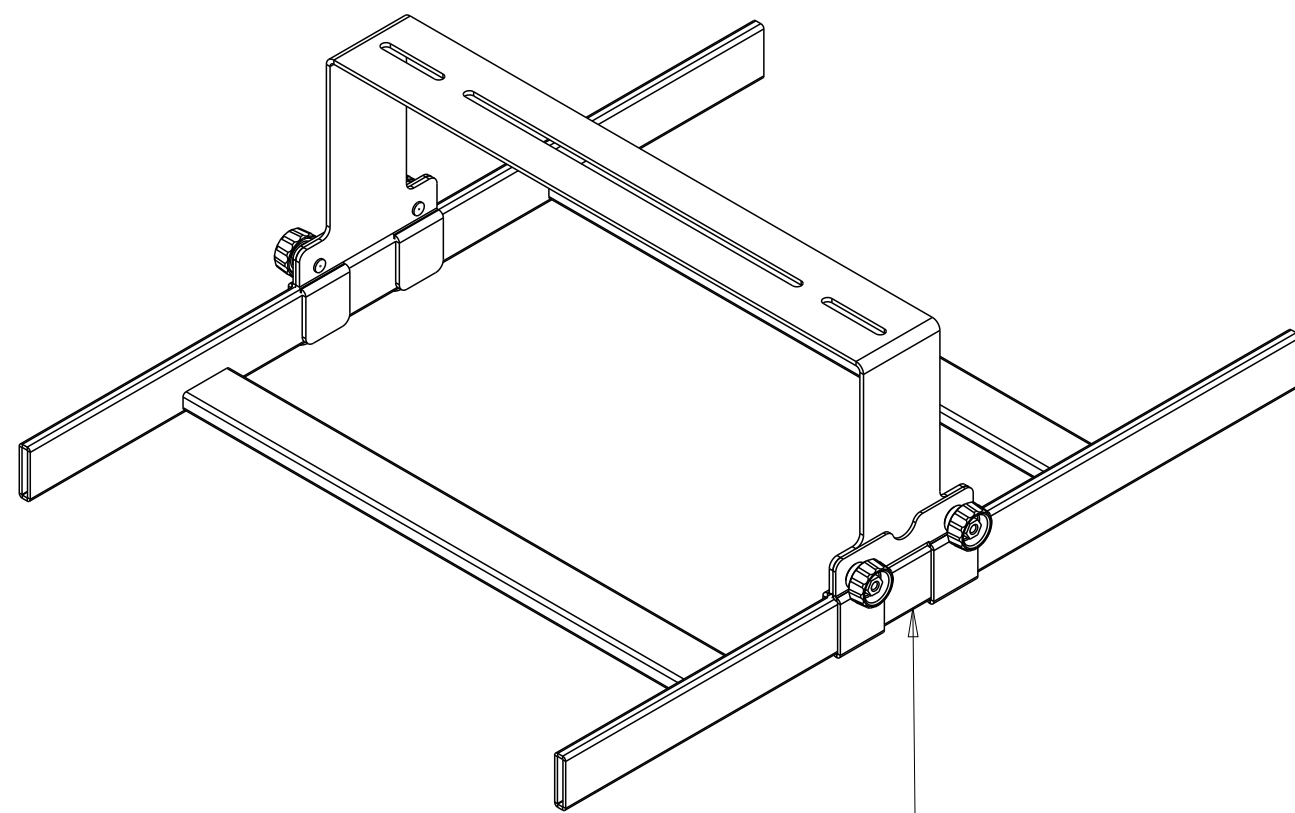
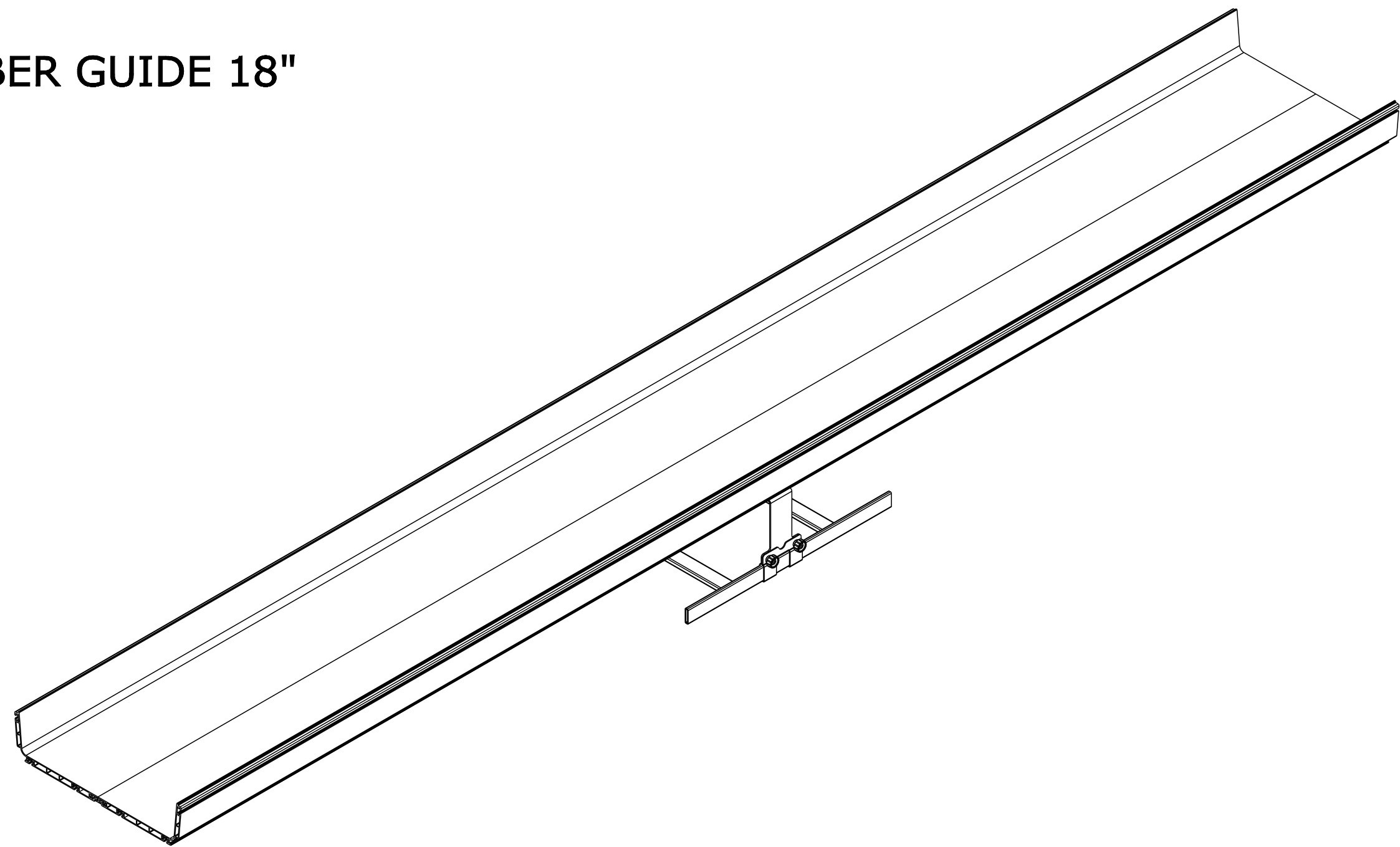


COMMSCOPE, INC.			
DRAFTER MIGUEL MUÑOZ		TITLE HORIZONTAL TOOL-LESS BRKT 18IN WIDE 6IN	
ENGINEER RUBEN ARVILLA		SIZE A2	SCALE 0.250
		DOCUMENT NO. 660003333	
CUSTOMER DRAWING			REVISION A
			SHEET 2 OF 4

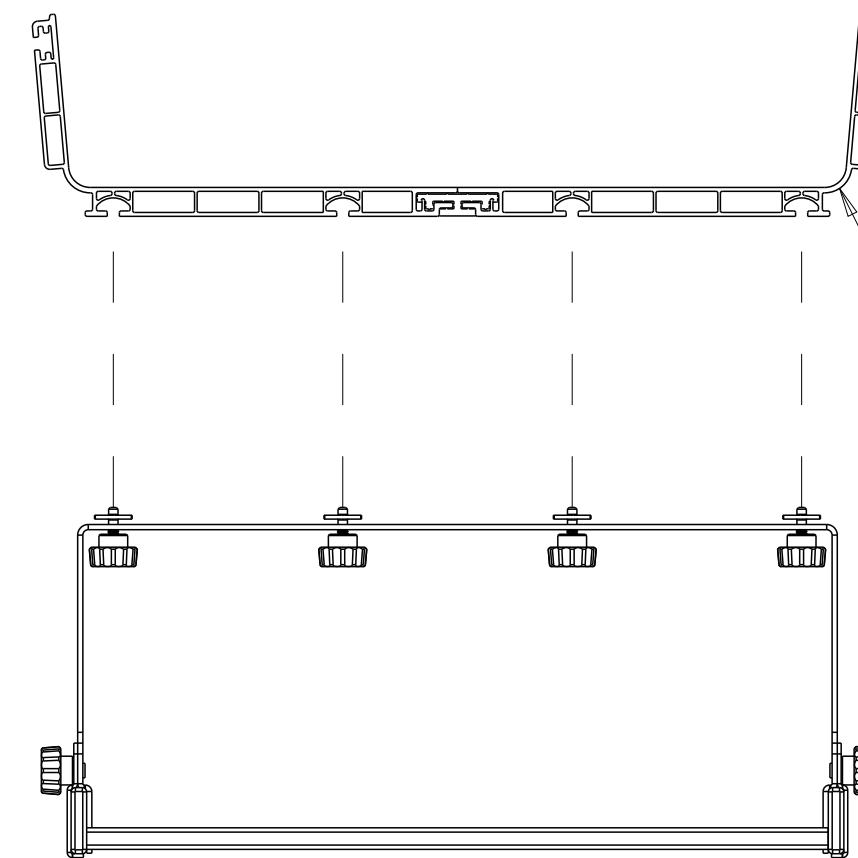
FIBER GUIDE 18"



ATTACH QUICK KNOB WITH T-BOLT WITH THE FIBER GUIDE 18"

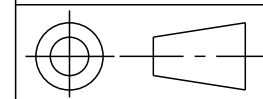


ATTACH THE LADDER SORRAIL WITH THE SUPPORT BRACKET AND SUPPORT TIGHTEN BRACKET



INSERT FIBER GUIDE IN THE QUICK KNOB WITH T-BOLT

COMMSCOPE, INC.			
DRAFTER MIGUEL MUÑOZ	TITLE HORIZONTAL TOOL-LESS BRKT 18IN WIDE 6IN		
ENGINEER RUBEN ARVILLA	SIZE A2	SCALE 0.250	DOCUMENT NO. 660003333
CUSTOMER DRAWING			REVISION A
			SHEET 3 OF 4



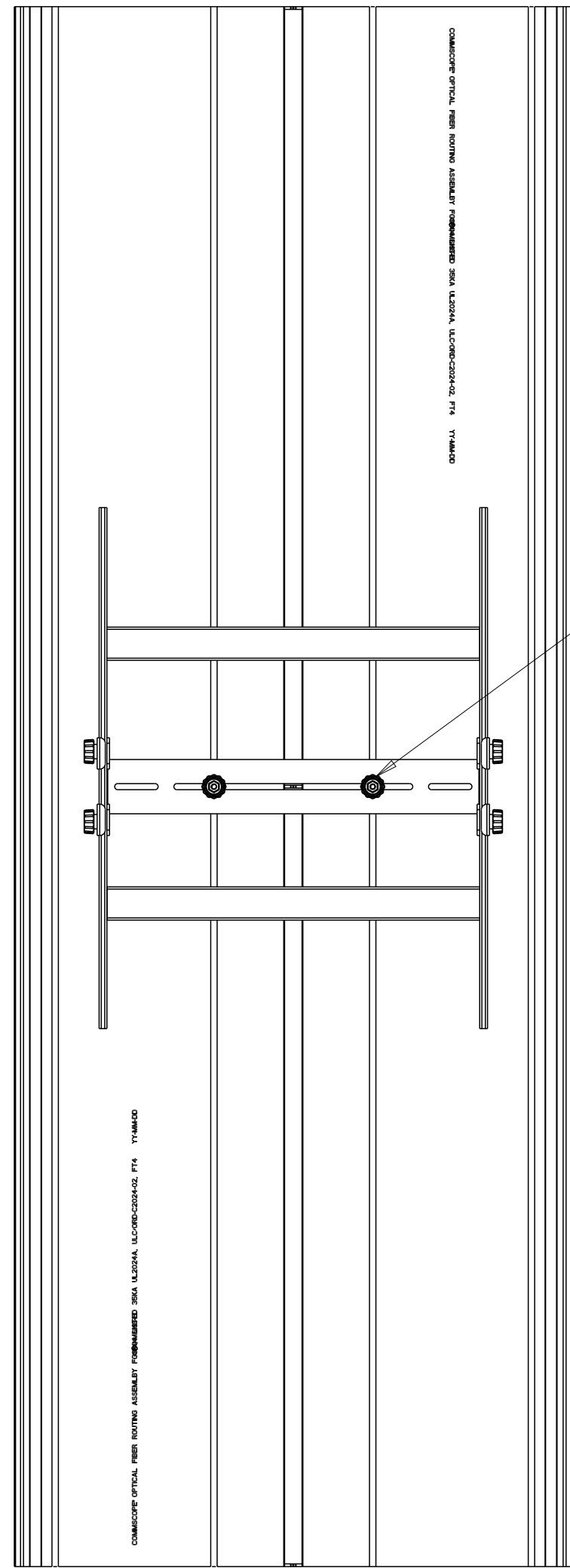
A
B
C
D
E
F
G
H

A
B
C
D
E
F
G
H

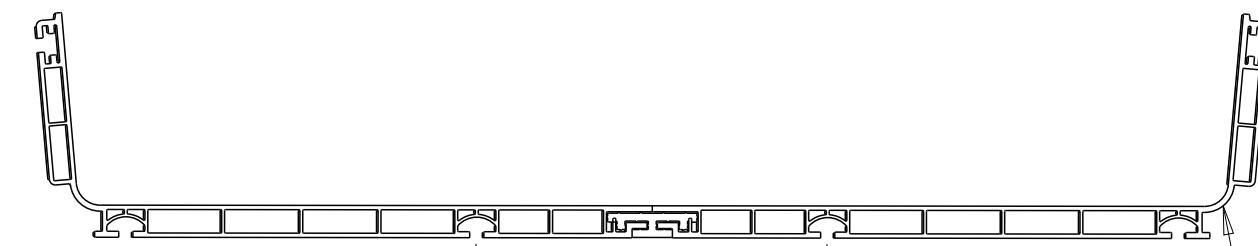
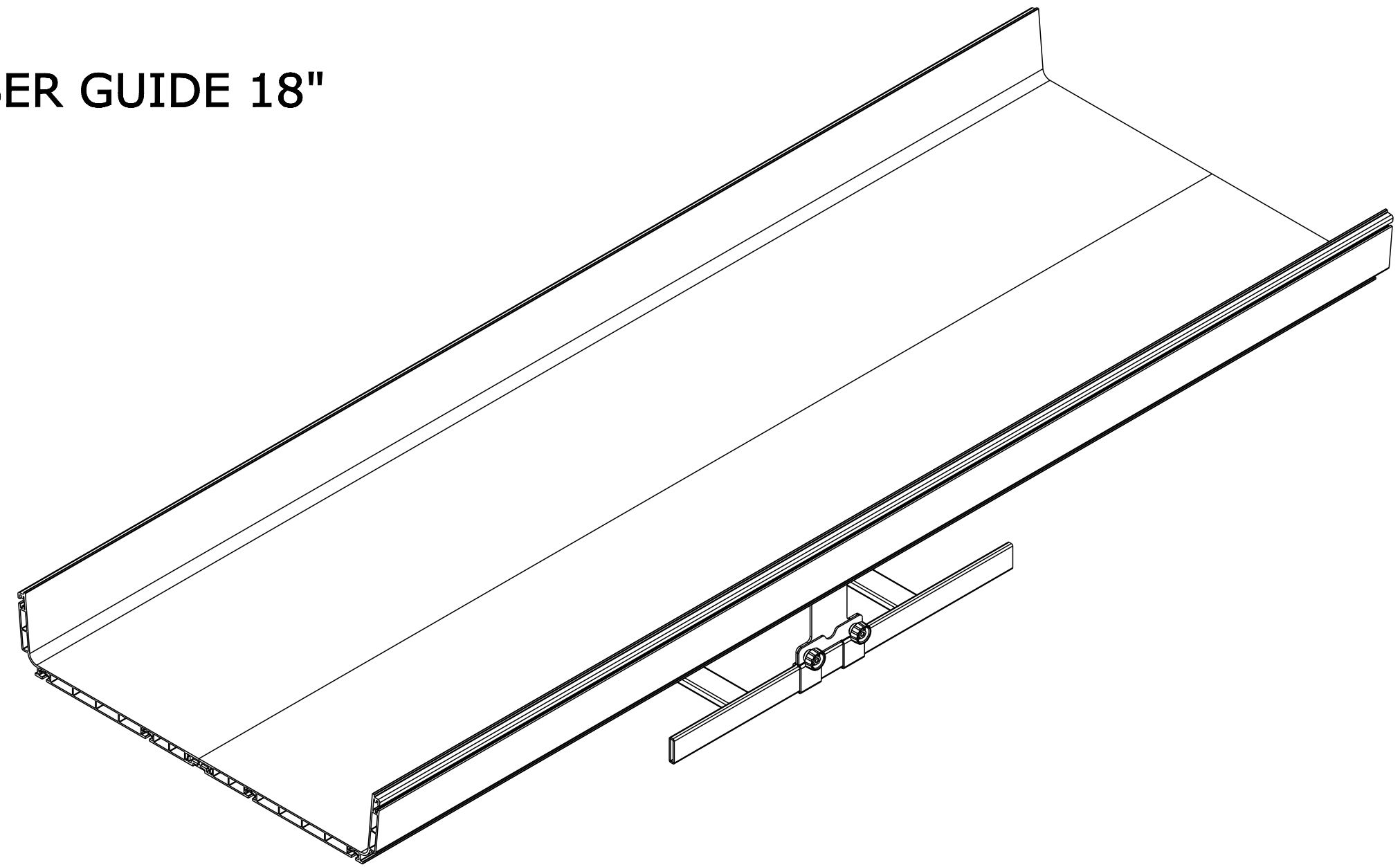
1 2 3 4 5 6 7 8 9 10

1 2 3 4 5 6 7 8 9 10

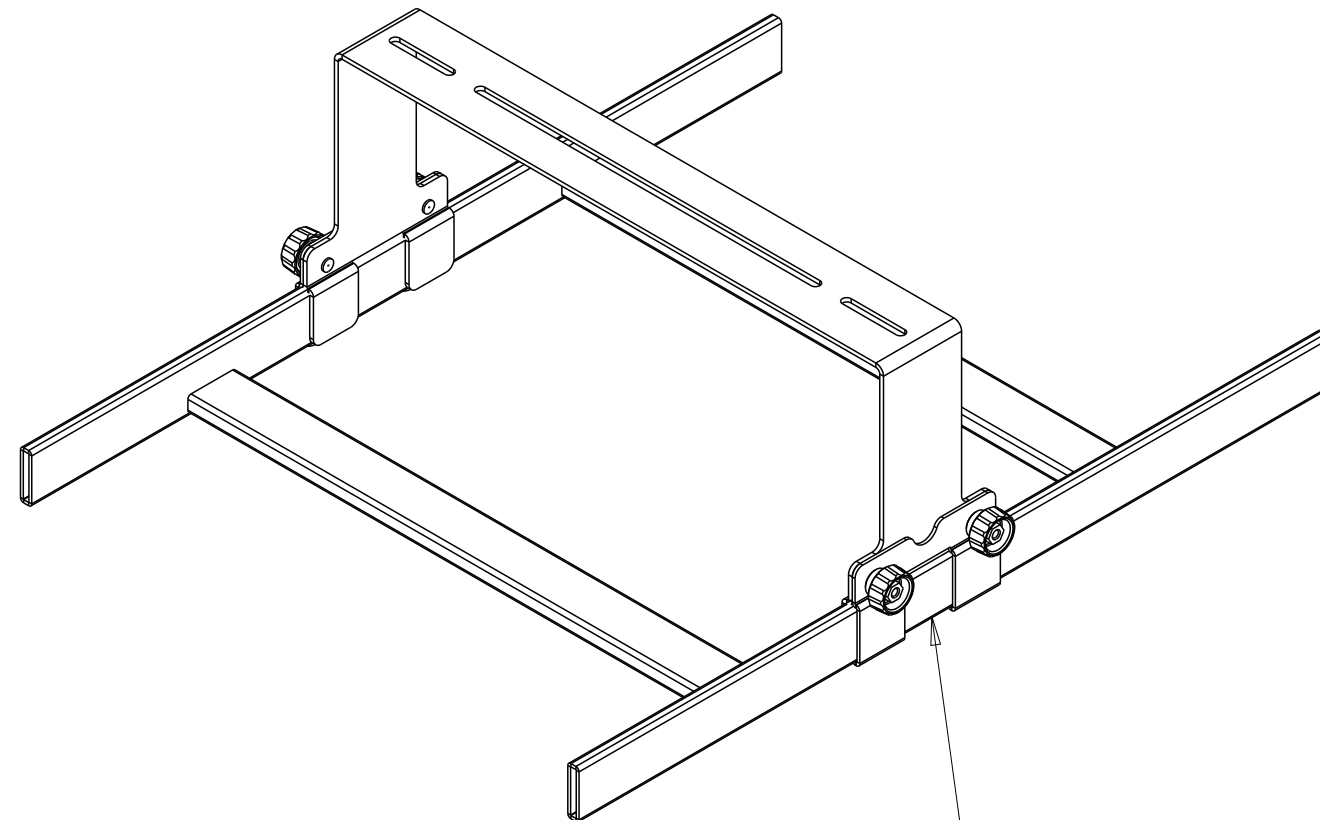
FIBER GUIDE 18"



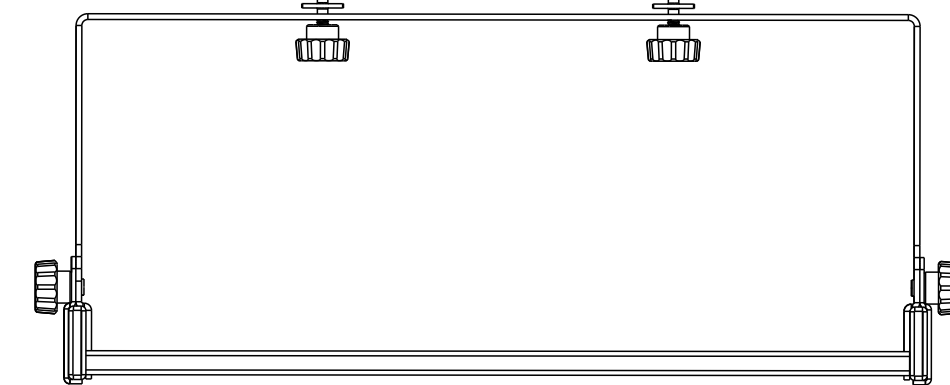
ATTACH QUICK KNOB WITH T-BOLT WITH THE FIBER GUIDE 18"



INSERT FIBER GUIDE IN THE QUICK KNOB WITH T-BOLT



ATTACH THE LADDER SORRAIL WITH THE SUPPORT BRACKET AND SUPPORT TIGHTEN BRACKET



COMMSCOPE, INC.			
DRAFTER MIGUEL MUÑOZ	TITLE HORIZONTAL TOOL-LESS BRKT 18IN WIDE 6IN		
ENGINEER RUBEN ARVILLA	SIZE A2	SCALE 0.250	DOCUMENT NO. 660003333
CUSTOMER DRAWING			REVISION A
			SHEET 4 OF 4