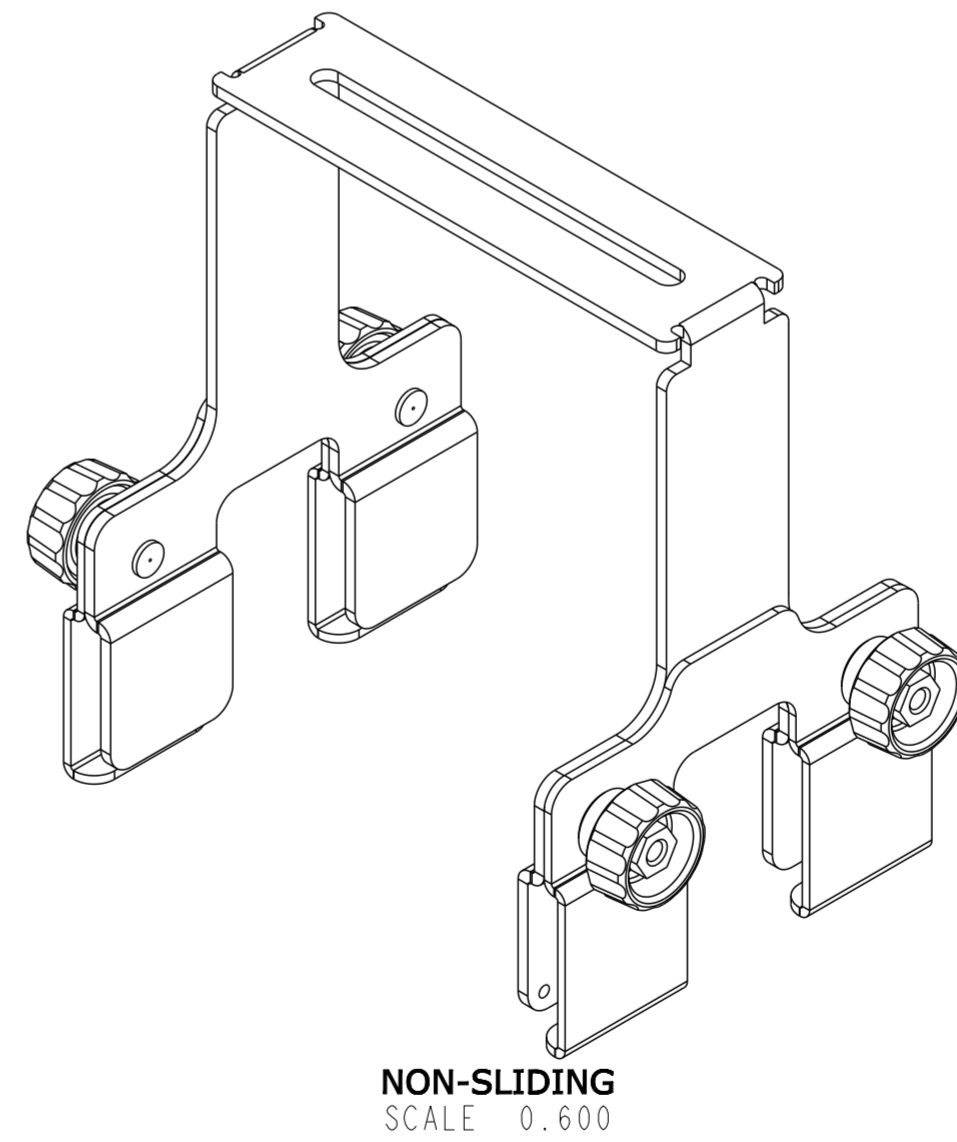
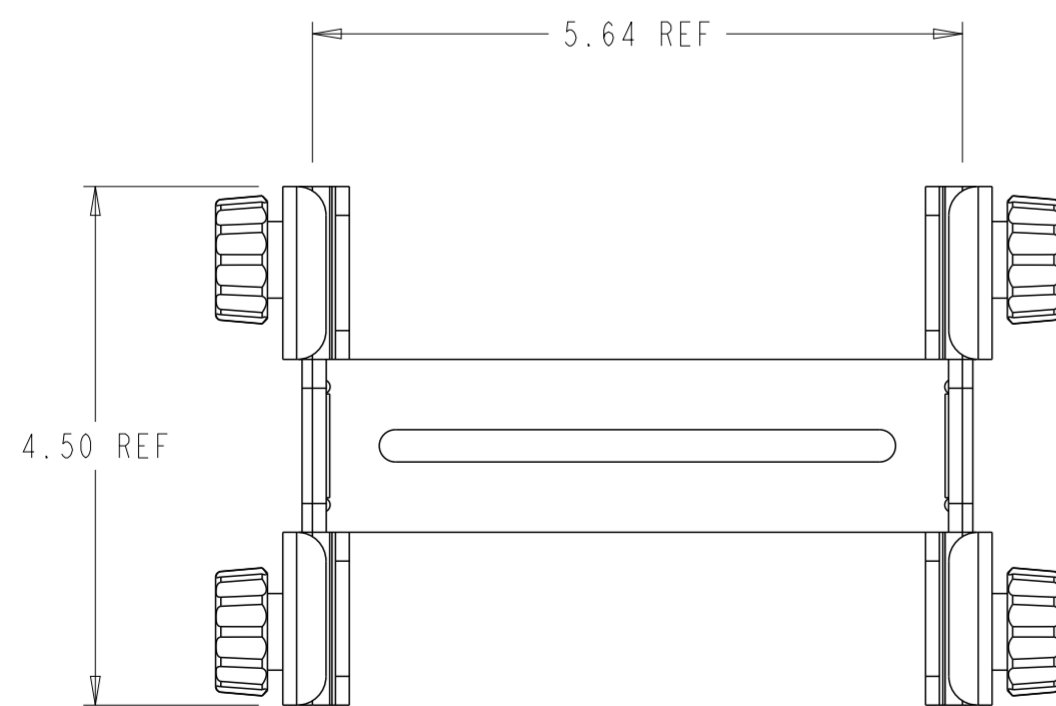
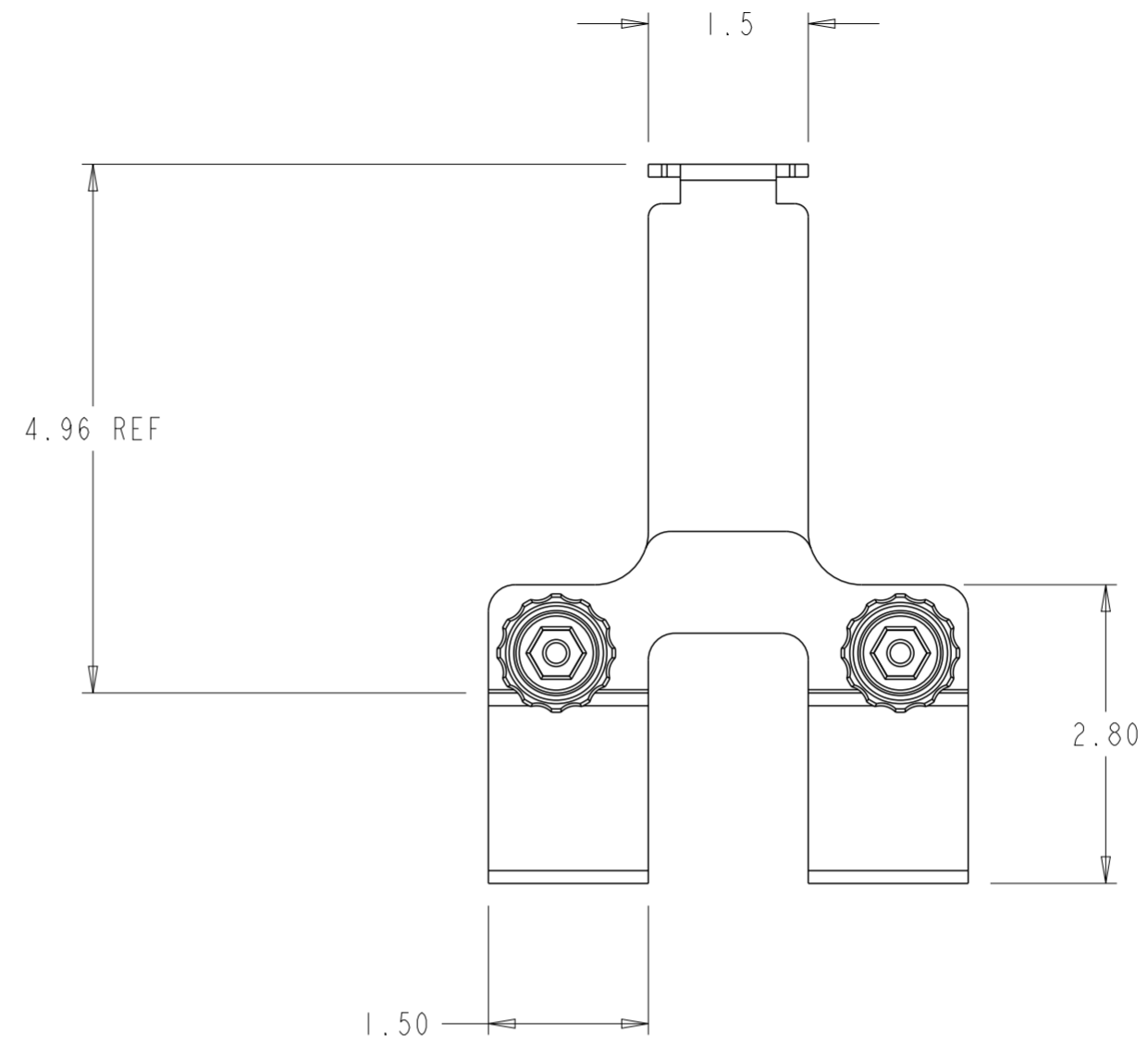
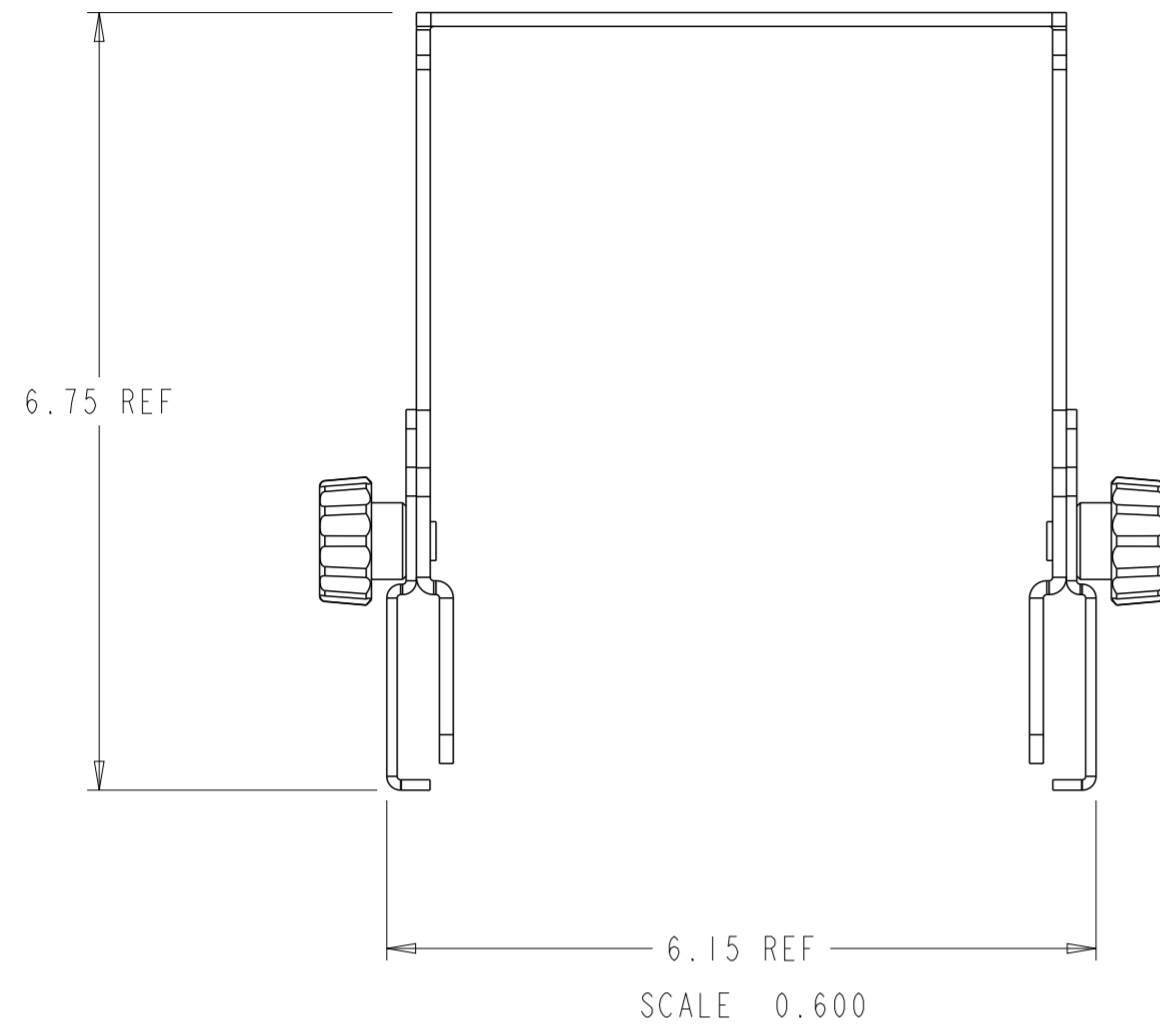


TOOL-LESS FGS SUPPORT BRACKET 6"

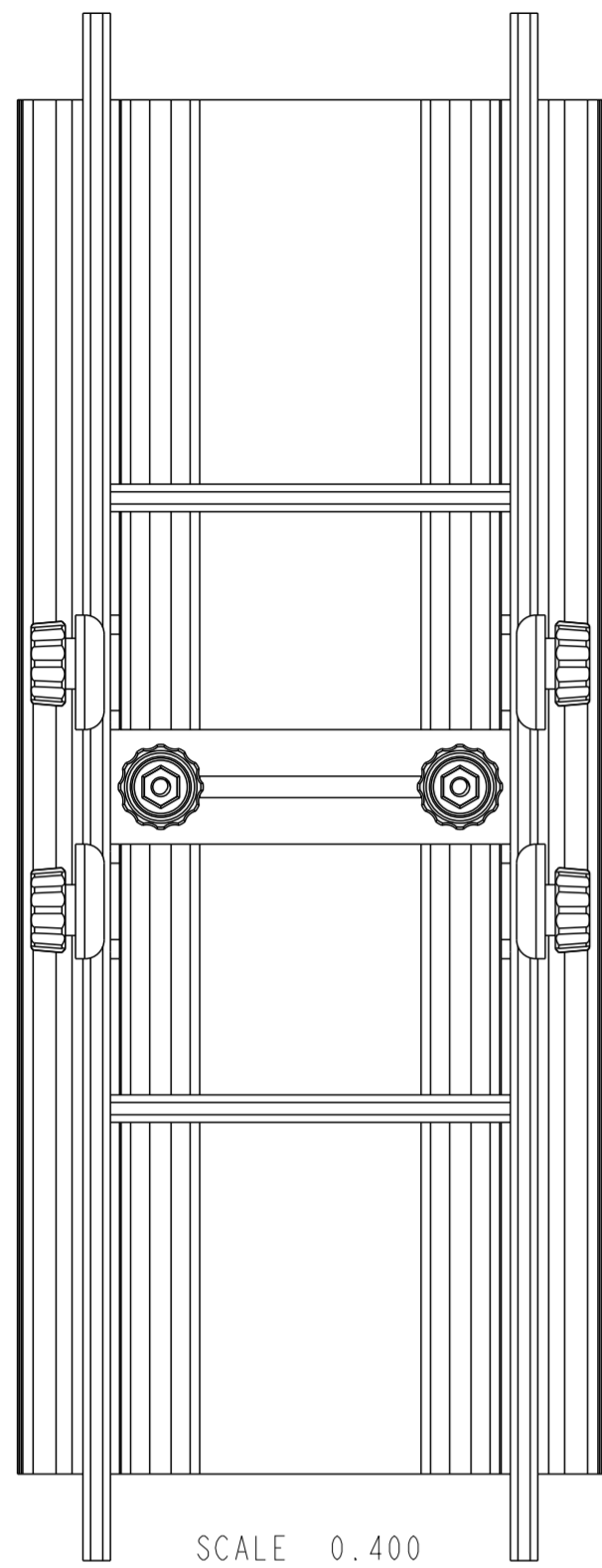
REVISIONS			
REV	CMO	DATE	APPROVED
A	40111142CMO	27-JUL-2020	RAT
B	40115387CMO	11-AUG-2020	ODVL



FGS-HTBK-6-5-80PC
FGS-HTBK-6-5-40PC
FGS-HTBK-6-5
CATALOG NUMBER

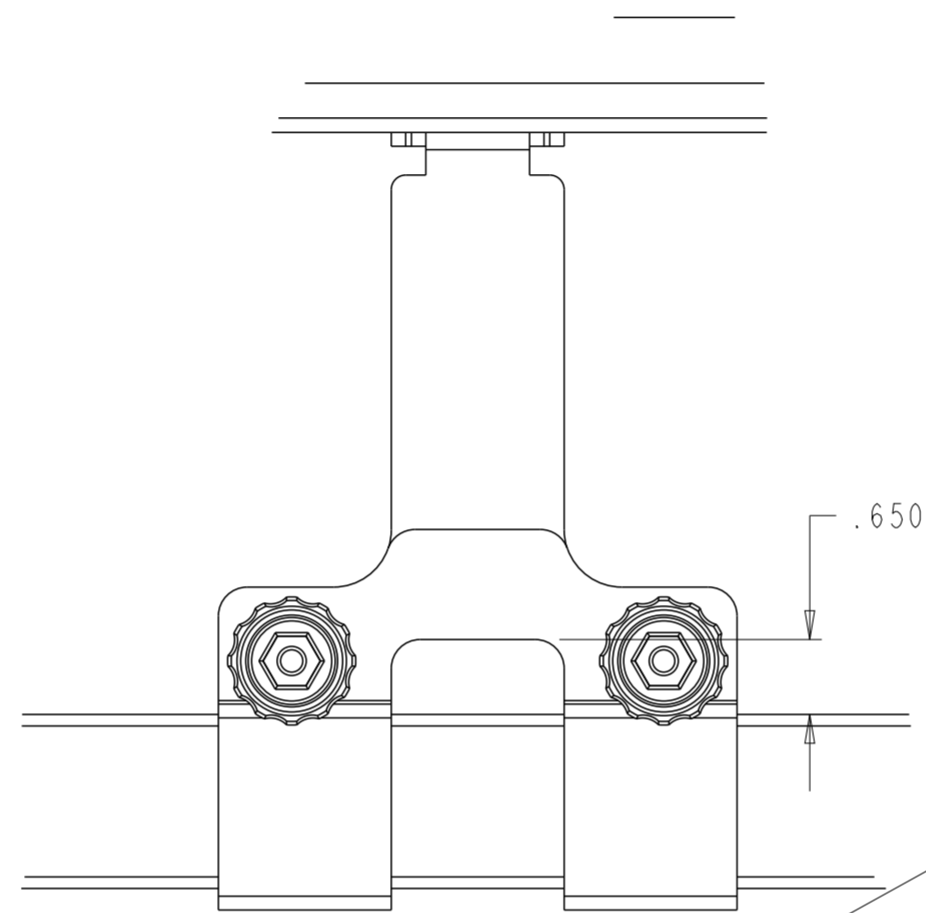
COMMSCOPE, INC.			
DRAFTER RUBEN ARVILLA		TITLE FGS, TOOL-LESS 6" SUPPORT BRACKET INSTLL DWG	
ENGINEER RUBEN ARVILLA		SIZE A2	SCALE 0.333
		DOCUMENT NO. 660105125	
CUSTOMER DRAWING			REVISION B
			SHEET 1 OF 2

4 X 6 STRAIGHT SECTION REF ASSEMBLY



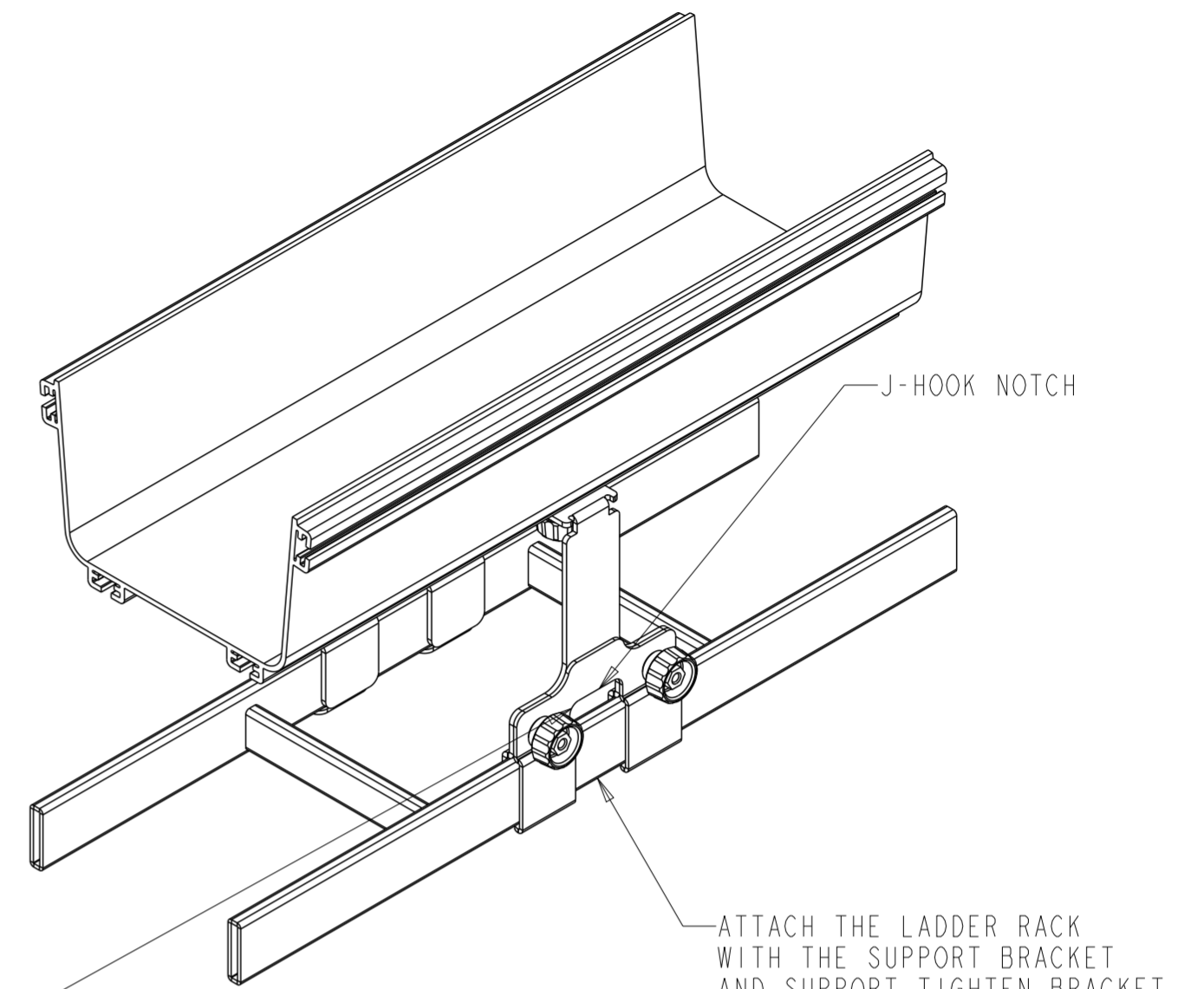
SCALE 0.400

ATTACH QUICK KNOB WITH T-BOLT
WITH THE FIBER GUIDE

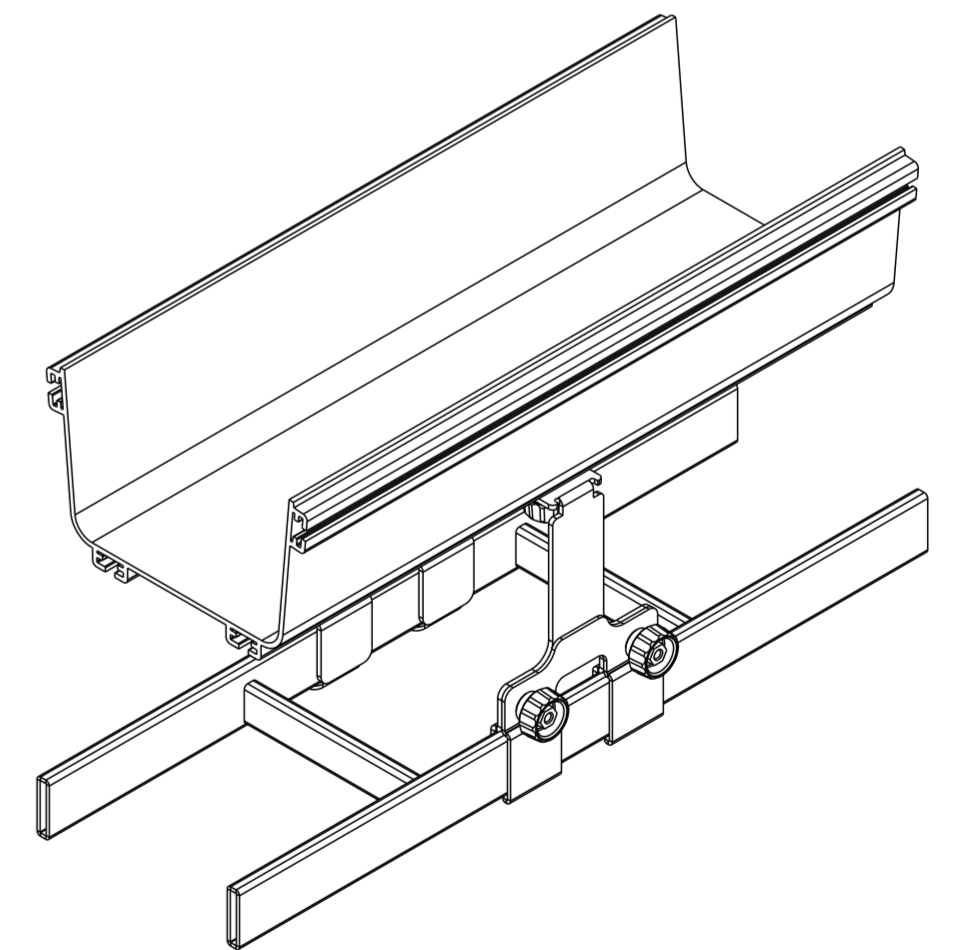


J-HOOK NOTCH VIEW

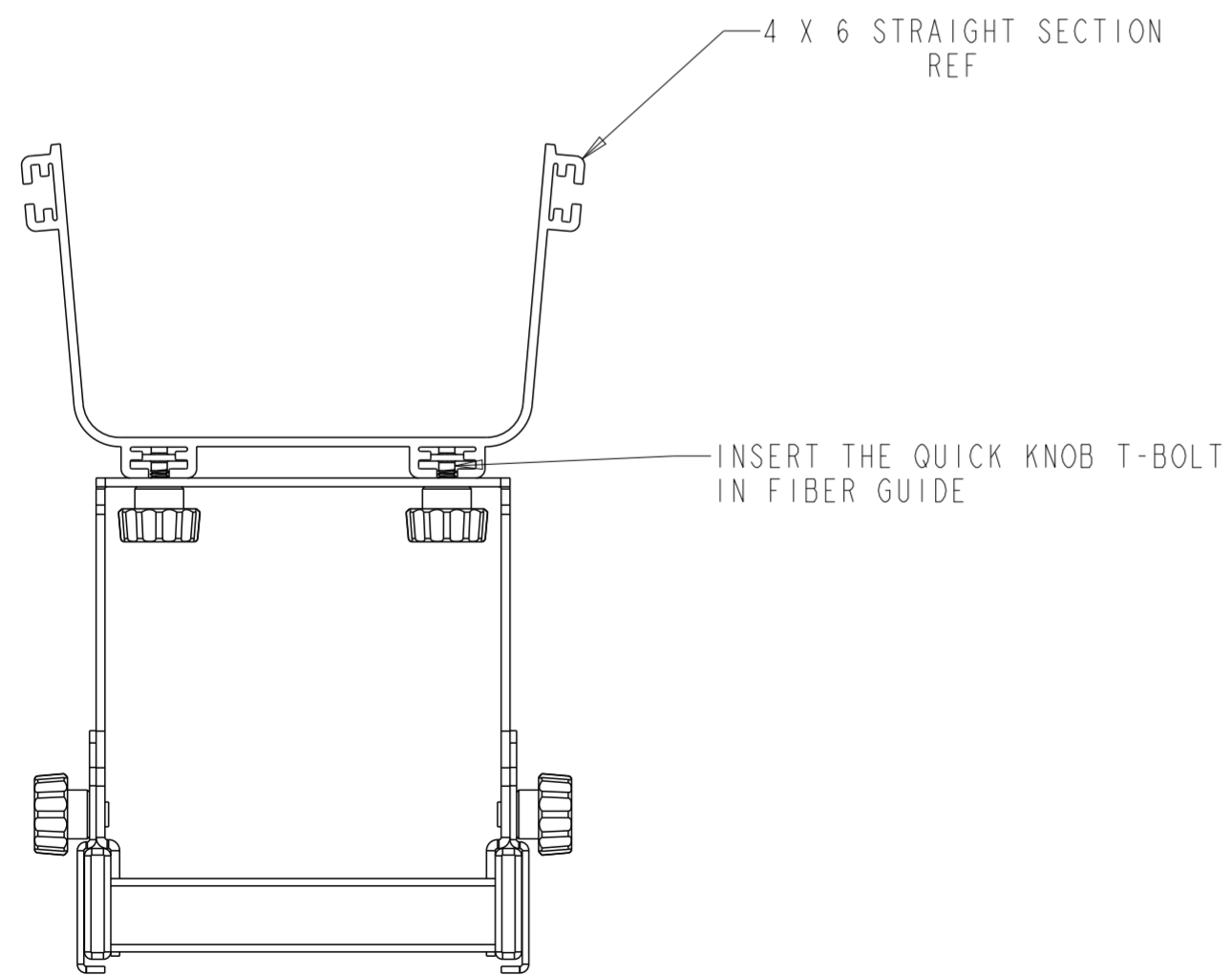
SCALE 0.600



SCALE 0.300



SCALE 0.250



SCALE 0.400

COMMSCOPE, INC.			
DRAFTER RUBEN ARVILLA	TITLE FGS, TOOL-LESS 6" SUPPORT BRACKET INSTLL DWG		
ENGINEER RUBEN ARVILLA	SIZE A2	SCALE 0.333	DOCUMENT NO. 660105125
CUSTOMER DRAWING			REVISION B
			SHEET 2 OF 2