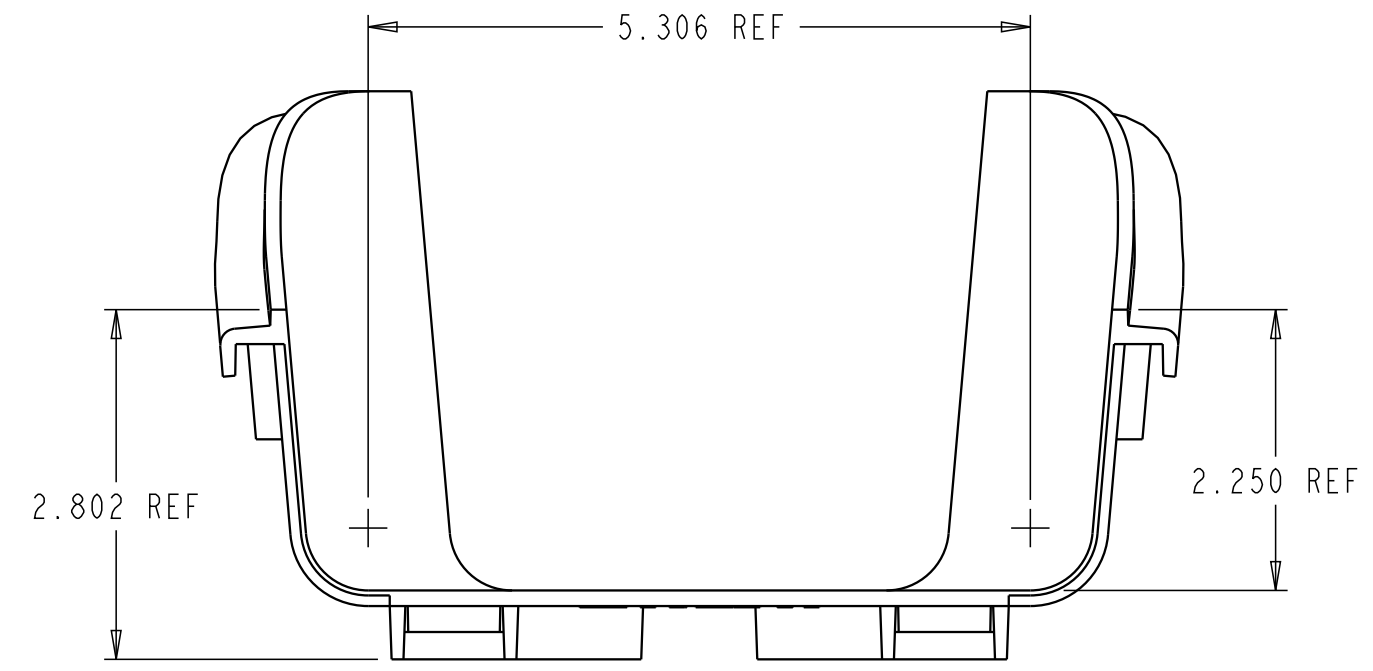
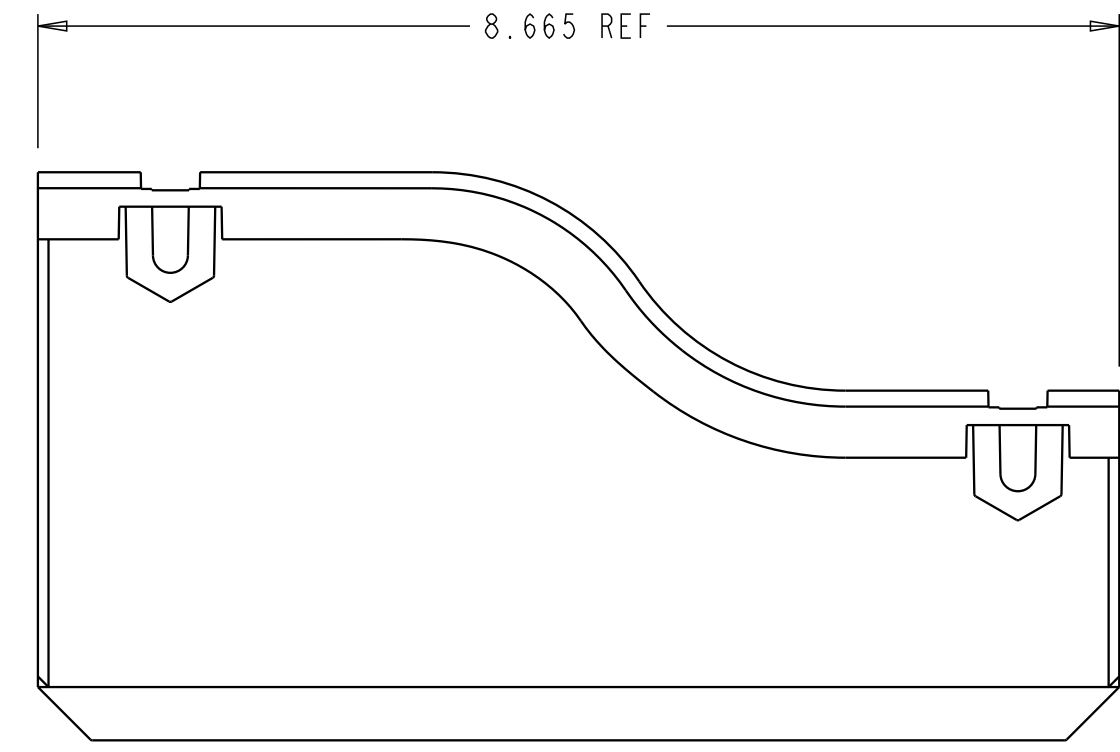
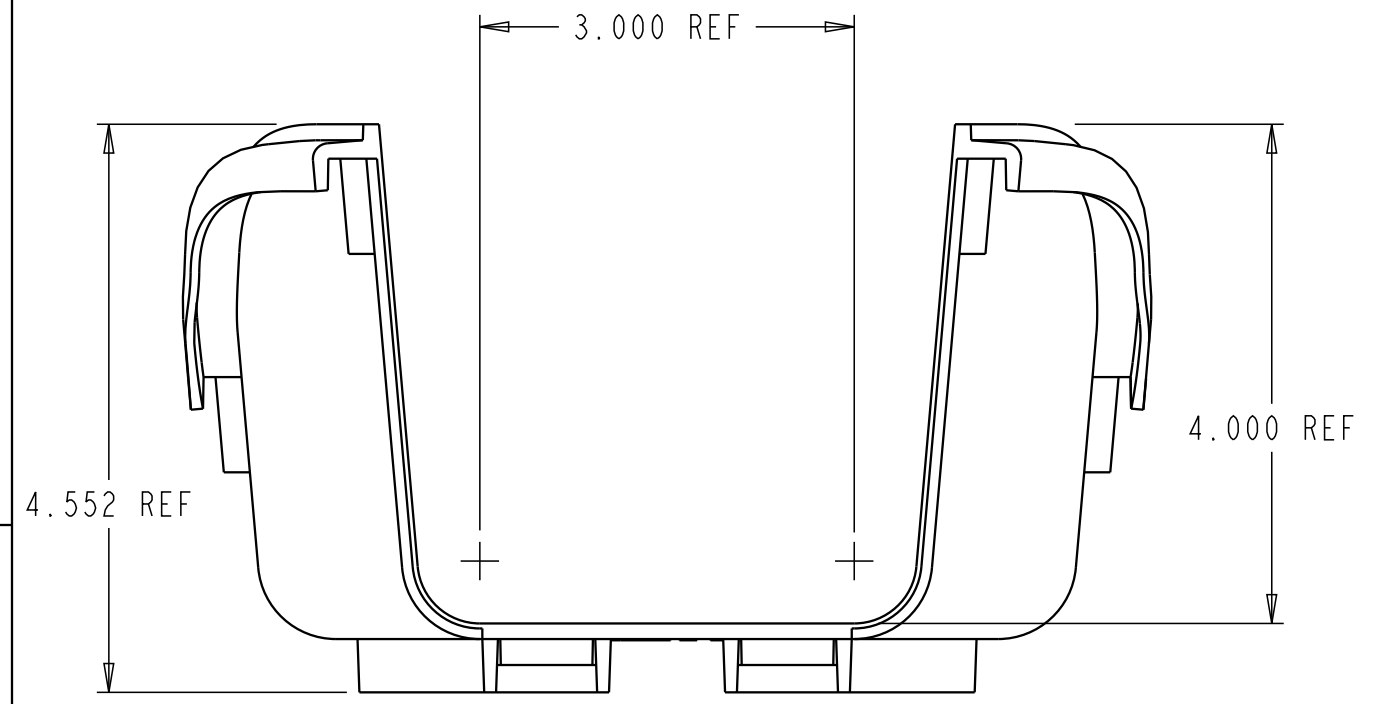
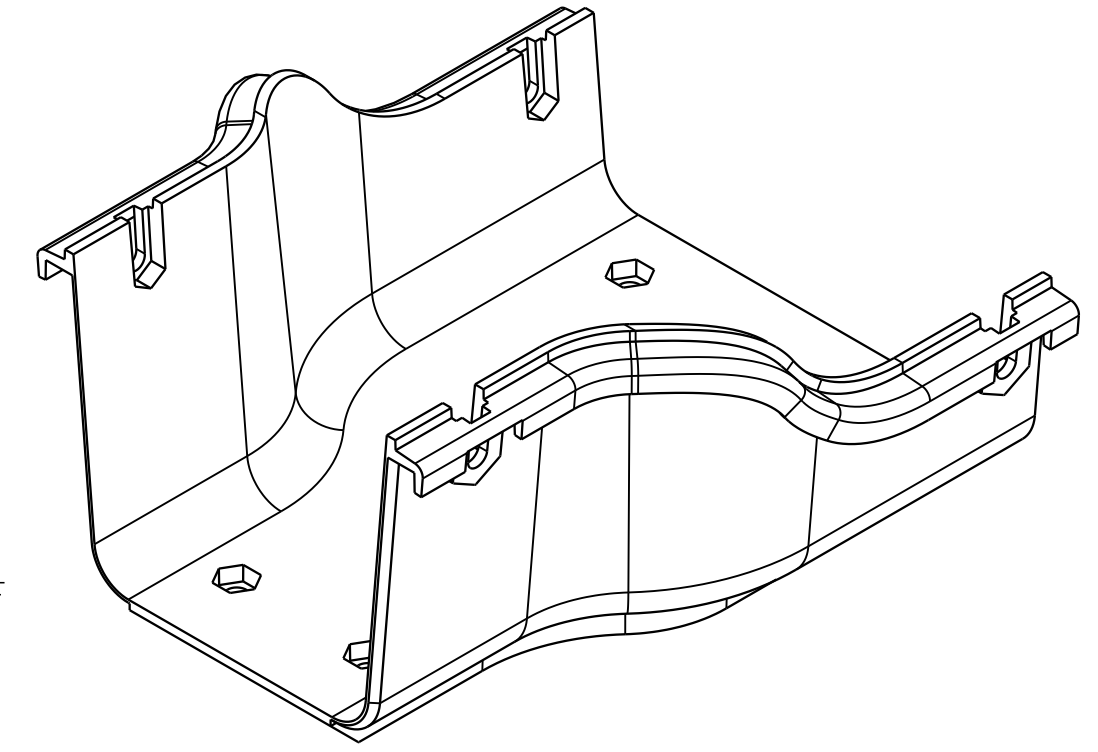
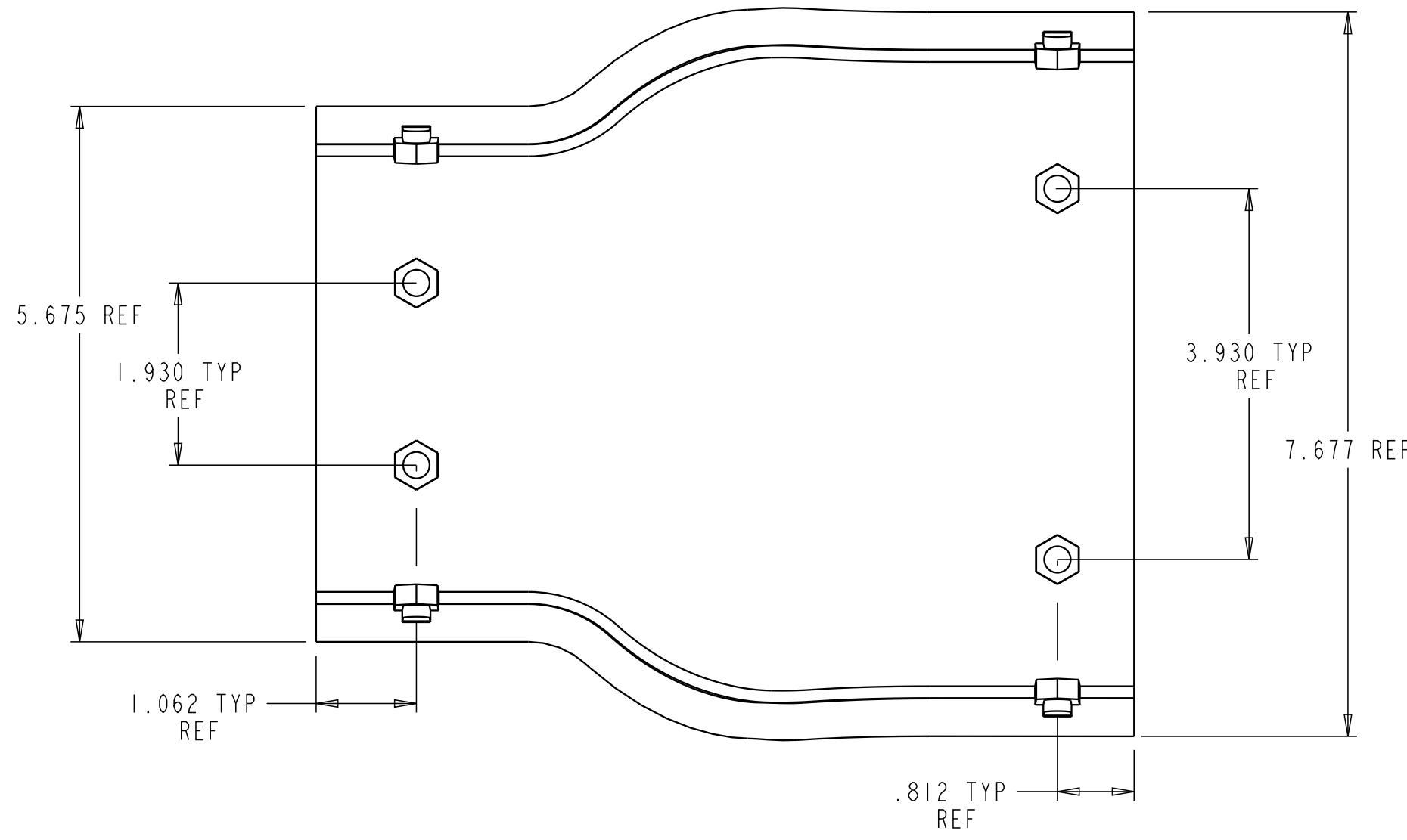


REV	MCO	DWN	DATE
B	20239935	AED	14-MAY-08
C	40031557MCO	OAVL	17-JUN-16



**NOTE:**

1. MATERIAL IS SELF EXTINGUISHING WITH A UL 94 RATING OF V-0.

FGSB-MDSA-GA	BLACK
FGSS-MDSA-G	SMOKE
FGS-MDSA-GA	YELLOW
<b>CATALOG NO.</b>	<b>COLOR</b>

COMMSCOPE, INC.

© 2016 COMMSCOPE, INC. CONFIDENTIAL NOTICE: THESE DRAWINGS AND SPECIFICATIONS ARE THE PROPRIETARY PROPERTY OF COMMSCOPE, INC. AND MAY BE USED ONLY FOR THE SPECIFIC PURPOSE AUTHORIZED IN WRITING BY COMMSCOPE, INC.		TITLE INSTALLATION DRAWING ADAPTER, 2X6 TO 4X4, FGS	
ALL DIMS AND TOLERANCES ARE INCHES UNLESS OTHERWISE SPECIFIED	.XX:±REF .XXX:±REF ANGULAR:±REF	C SIZE	DRAWING NUMBER 1189168_ADC
DO NOT SCALE DRAWING	ENGR: MATT FERRIS DWN: JASON DANNER	SHT. 1 OF 1	

DIMENSIONS IN INCHES  
THIRD ANGLE PROJECTION