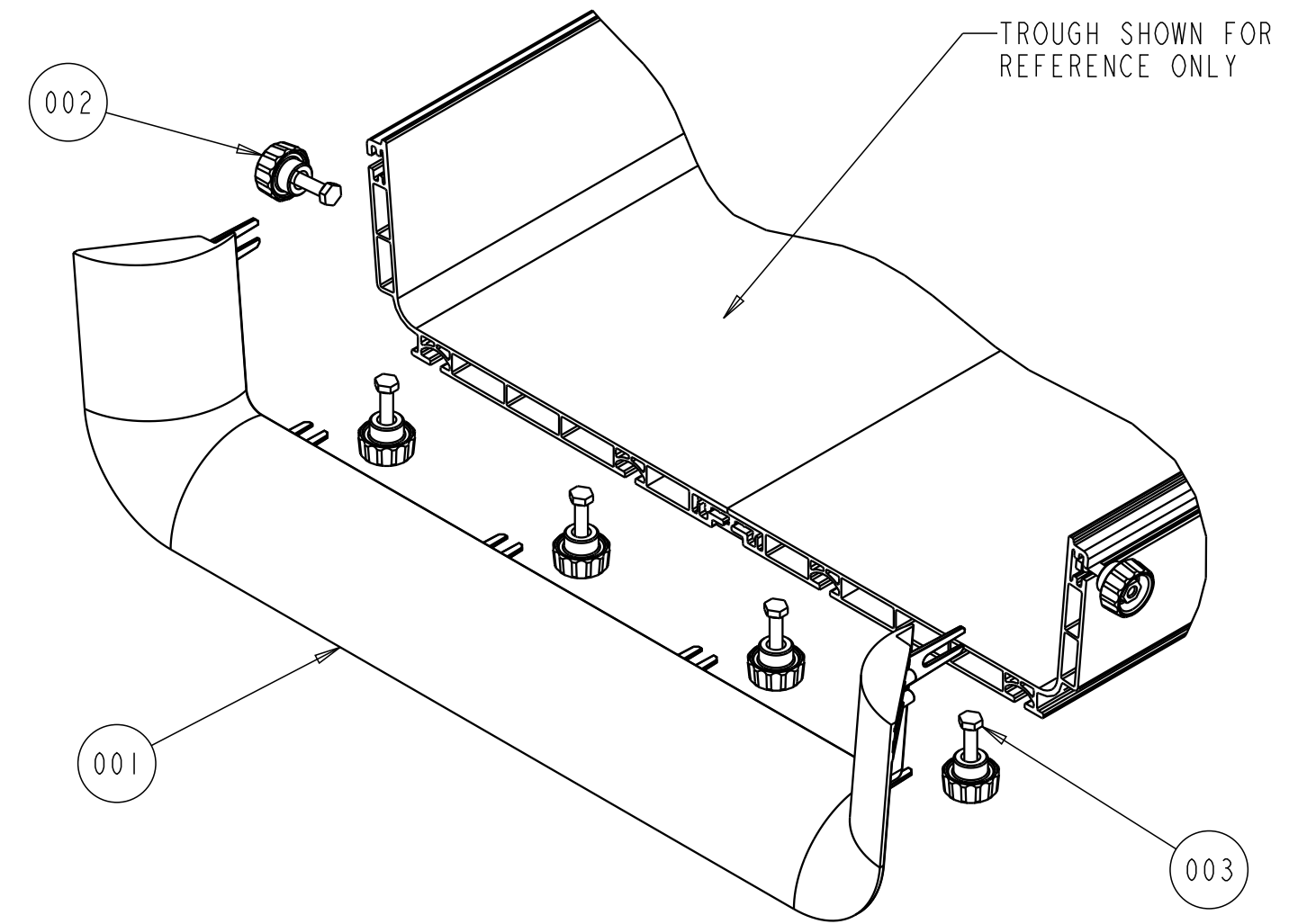
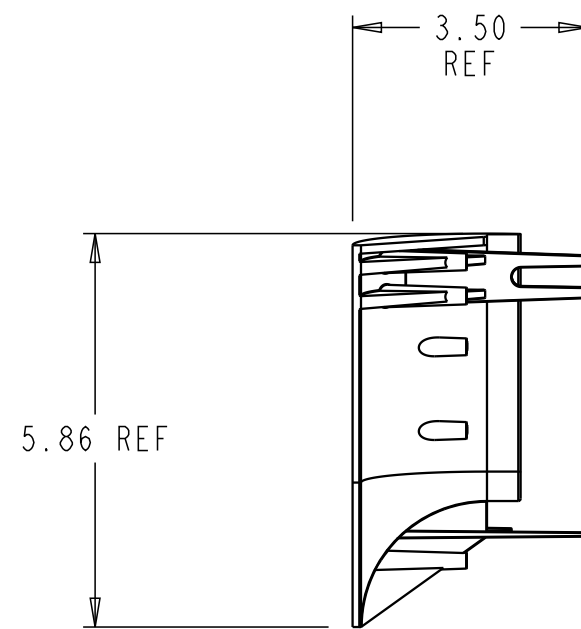
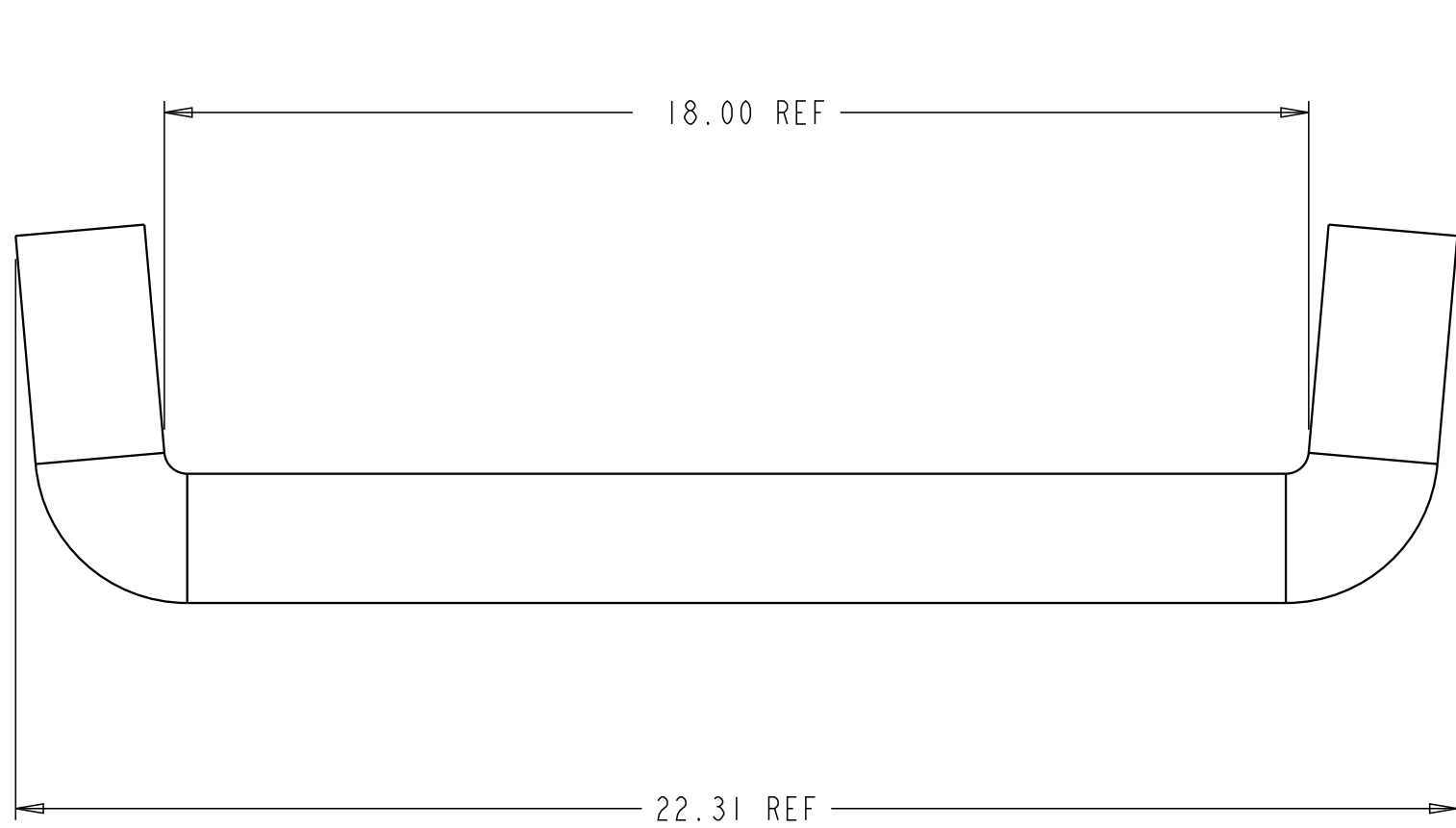
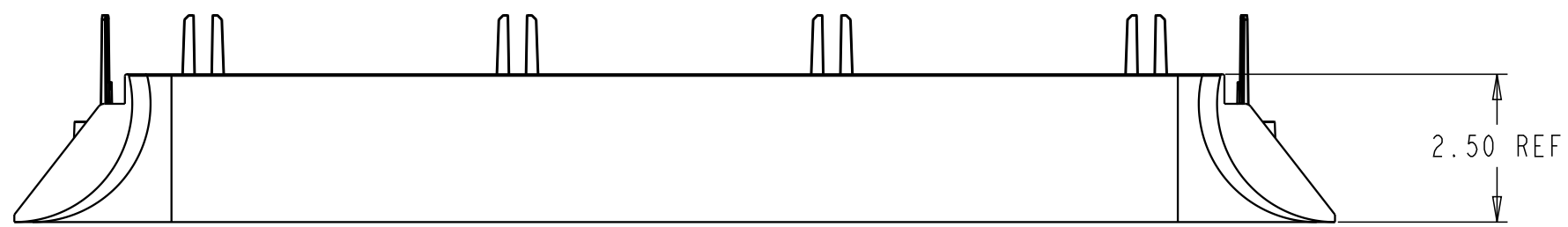
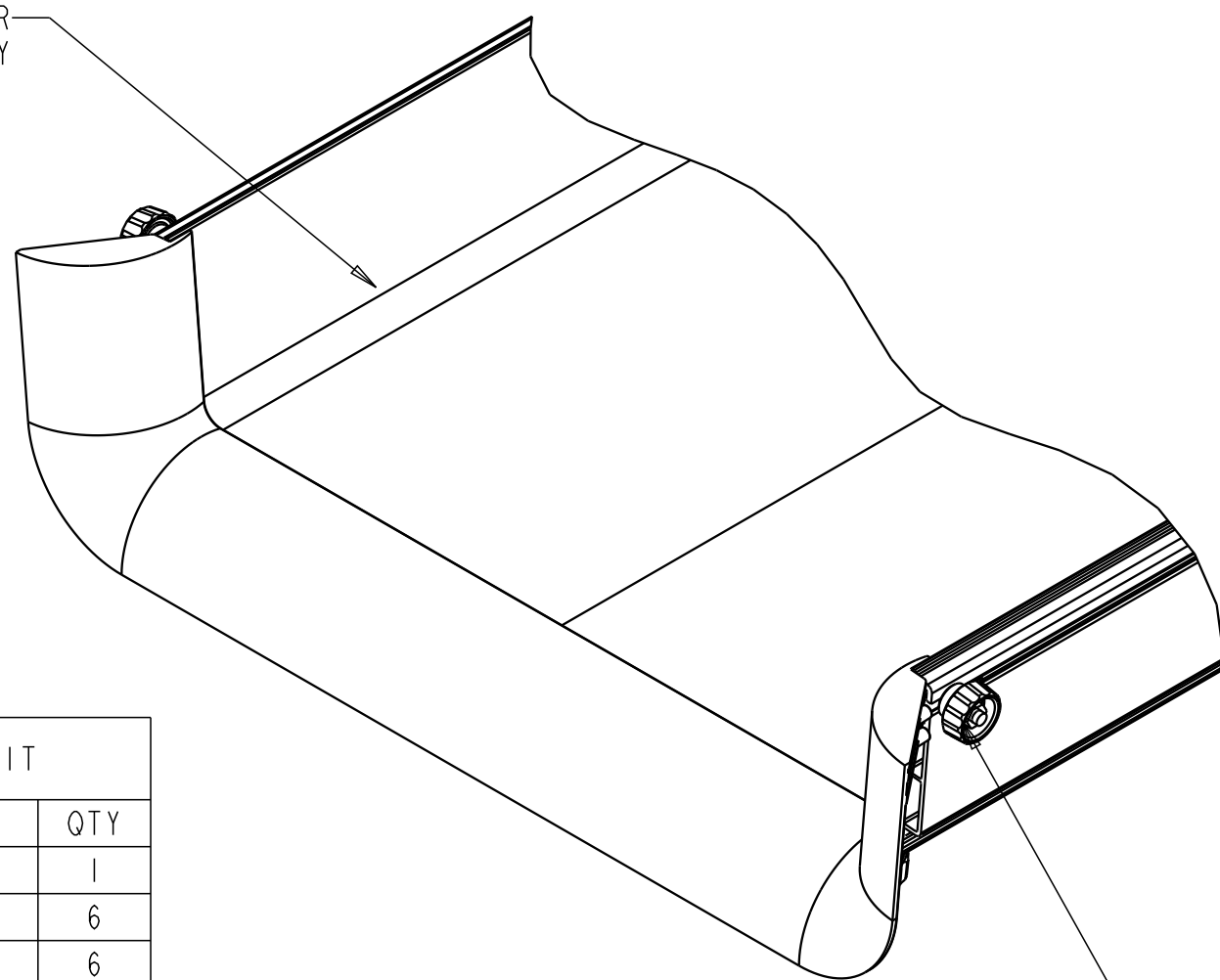


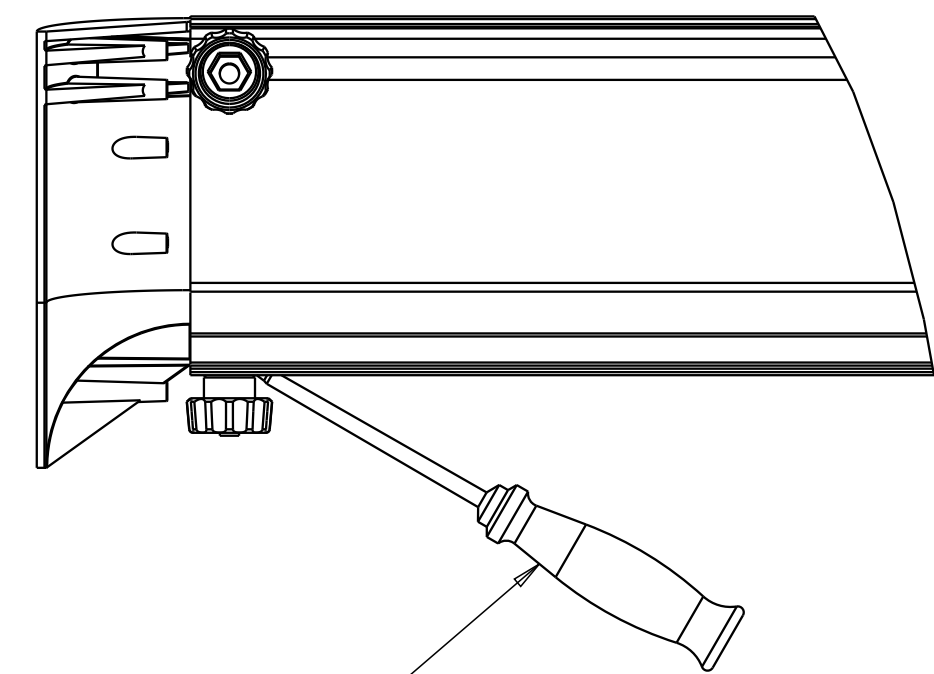
REV.	MCO	DWN	DATE
A	20208586	DGS	08-JAN-07
B	40031480MCO	HUH	27-JUL-16



FITTING SHOWN FOR REFERENCE ONLY



QUICK KNOBS WITH 1/4-20 BOLTS INCLUDED WITH KIT



LIST OF PARTS IN KIT		
ITEM	DESCRIPTION	QTY
001	TRUMPET FLARE	1
002	QUICK KNOB	6
003	1/4-20 X 1" UNC	6

NOTES:

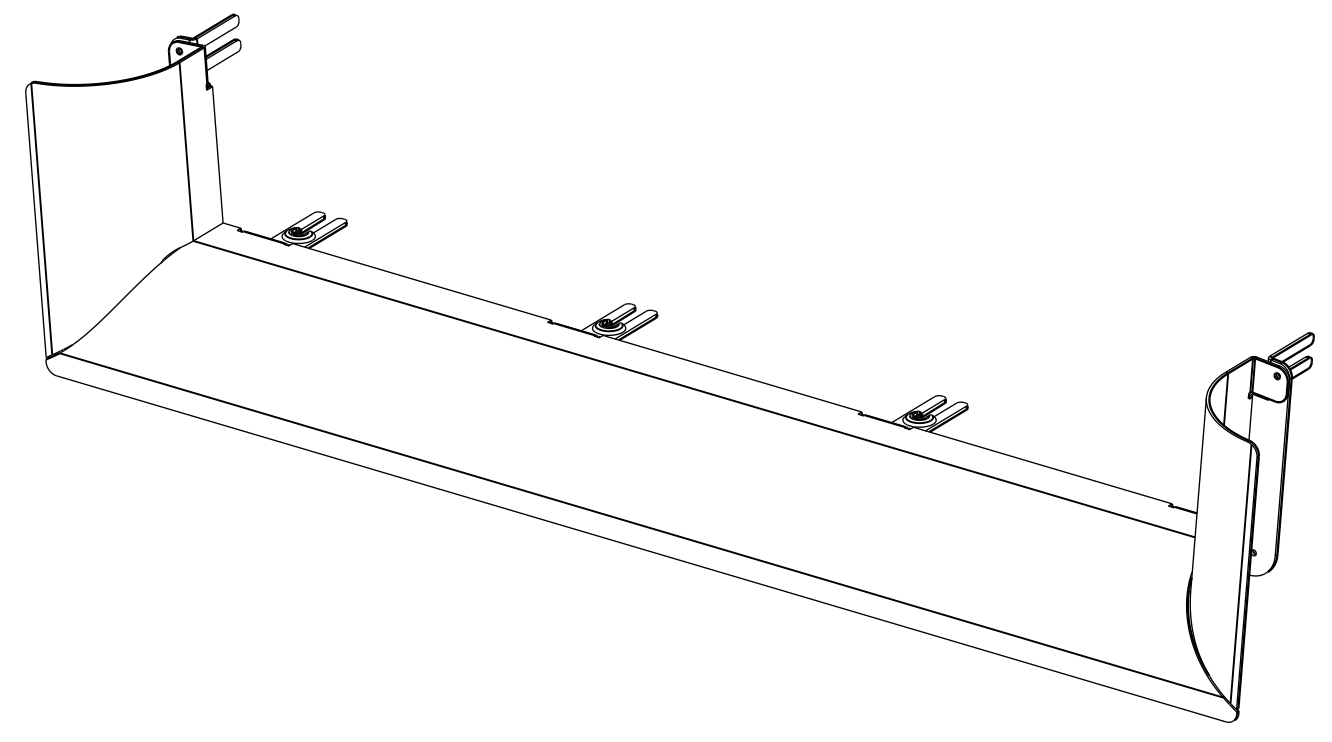
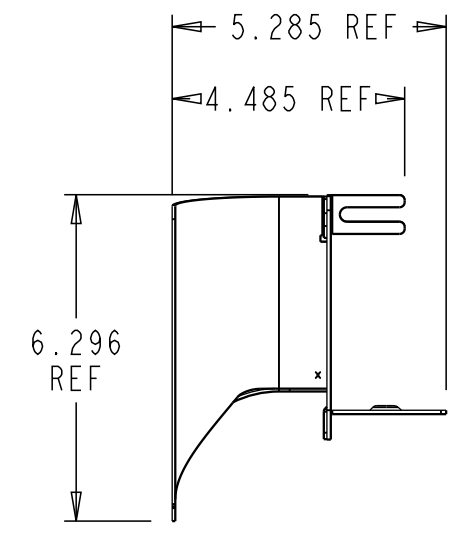
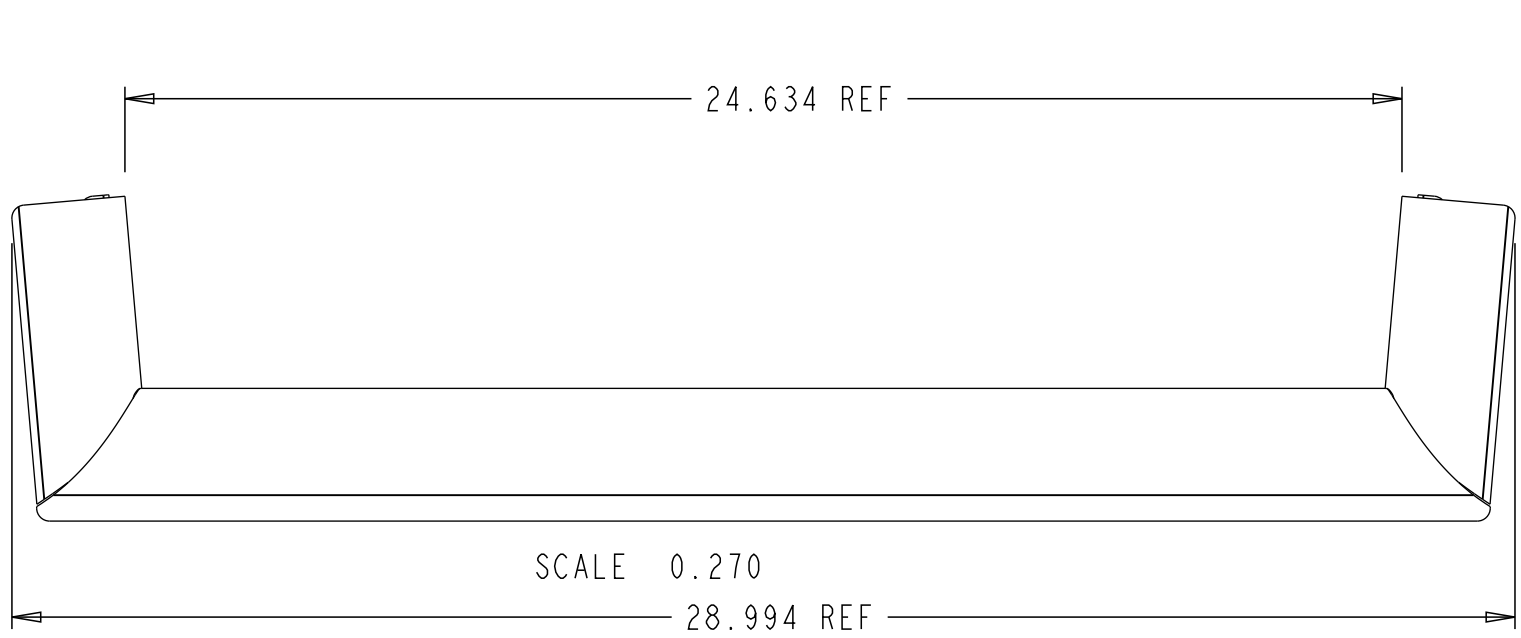
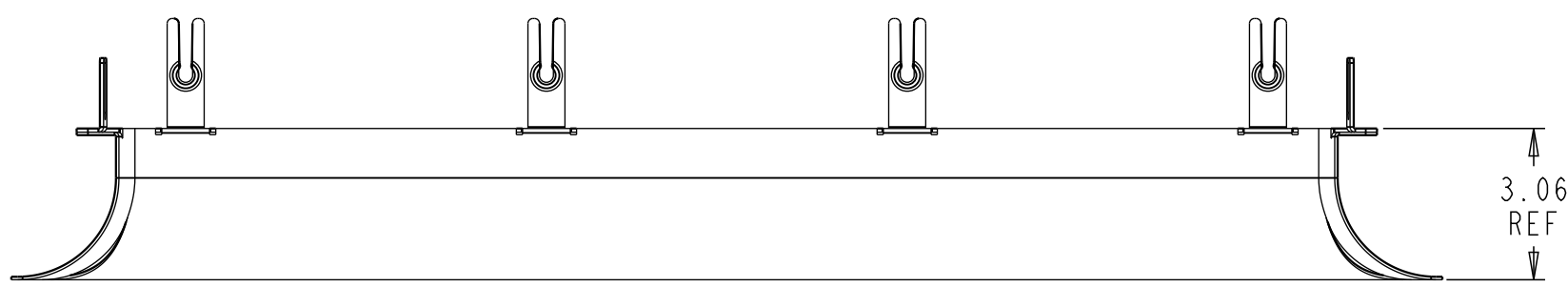
- 1 IF NECESSARY FOR THE 4 BOTTOM POSITIONS USE A SCREWDRIVER TO HOLD THE HEAD SCREW AND AVOID MOVEMENT, AT THE SAME TIME TIGHT THE KNOB.

COMMSCOPE, INC.

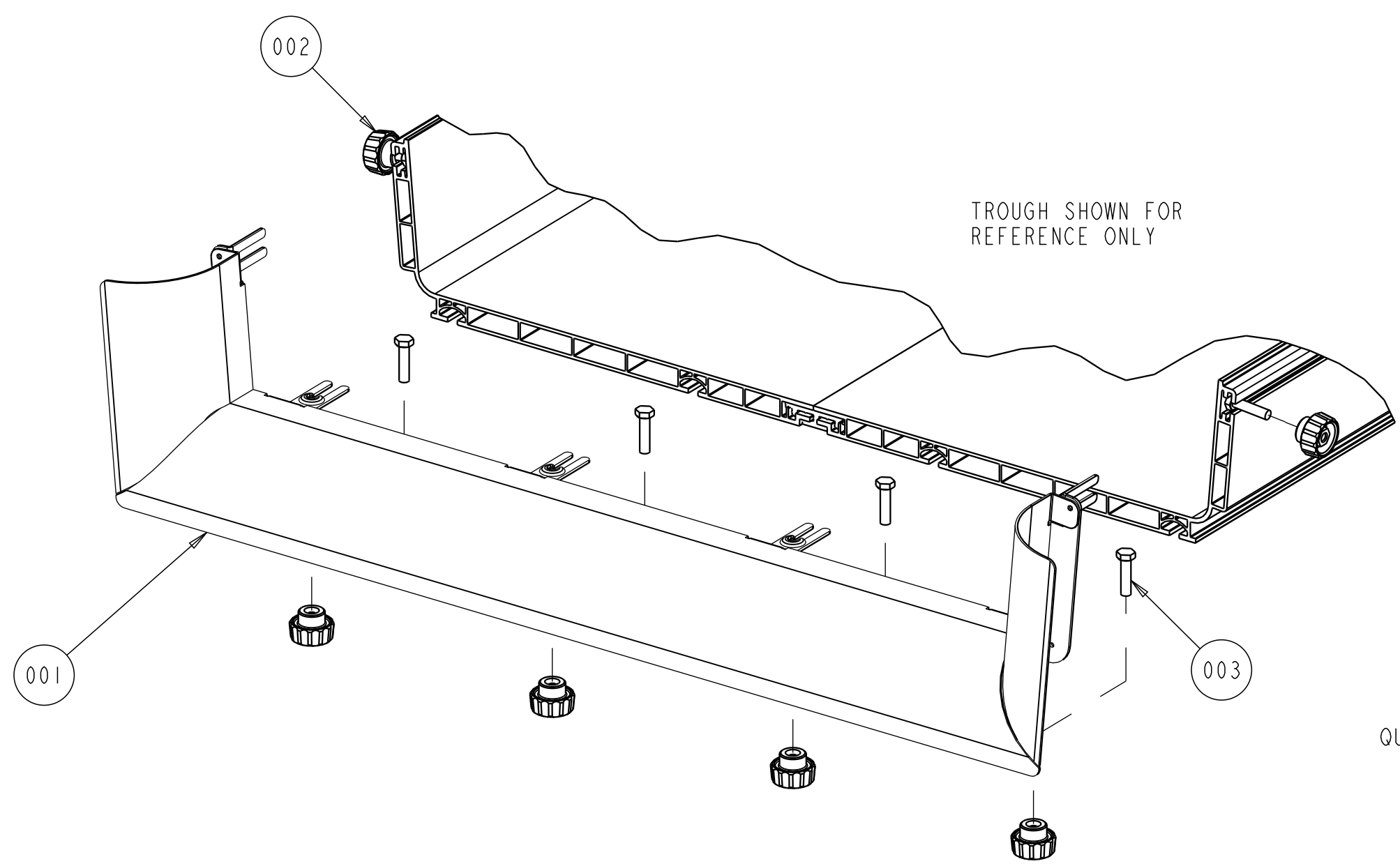
© 2016 COMMSCOPE, INC. CONFIDENTIAL NOTICE: THESE DRAWINGS AND SPECIFICATIONS ARE THE PROPRIETARY PROPERTY OF COMMSCOPE, INC. AND MAY BE USED ONLY FOR THE SPECIFIC PURPOSE AUTHORIZED IN WRITING BY COMMSCOPE, INC.		TITLE INST DRW FGS 18" & 24" TRUMPET FLARE KIT	
ALL DIMS AND TOLERANCES ARE INCHES UNLESS OTHERWISE SPECIFIED	.XX:±N/A .XXX:±N/A ANGULAR:±N/A	C SIZE	DRAWING NUMBER 1386520_ADC
DO NOT SCALE DRAWING	ENGR: DEREK SAYRES DWN: DEREK SAYRES	SHT. 1 OF 2	

FGS-MTRM-M	YELLOW
CATALOG	COLOR

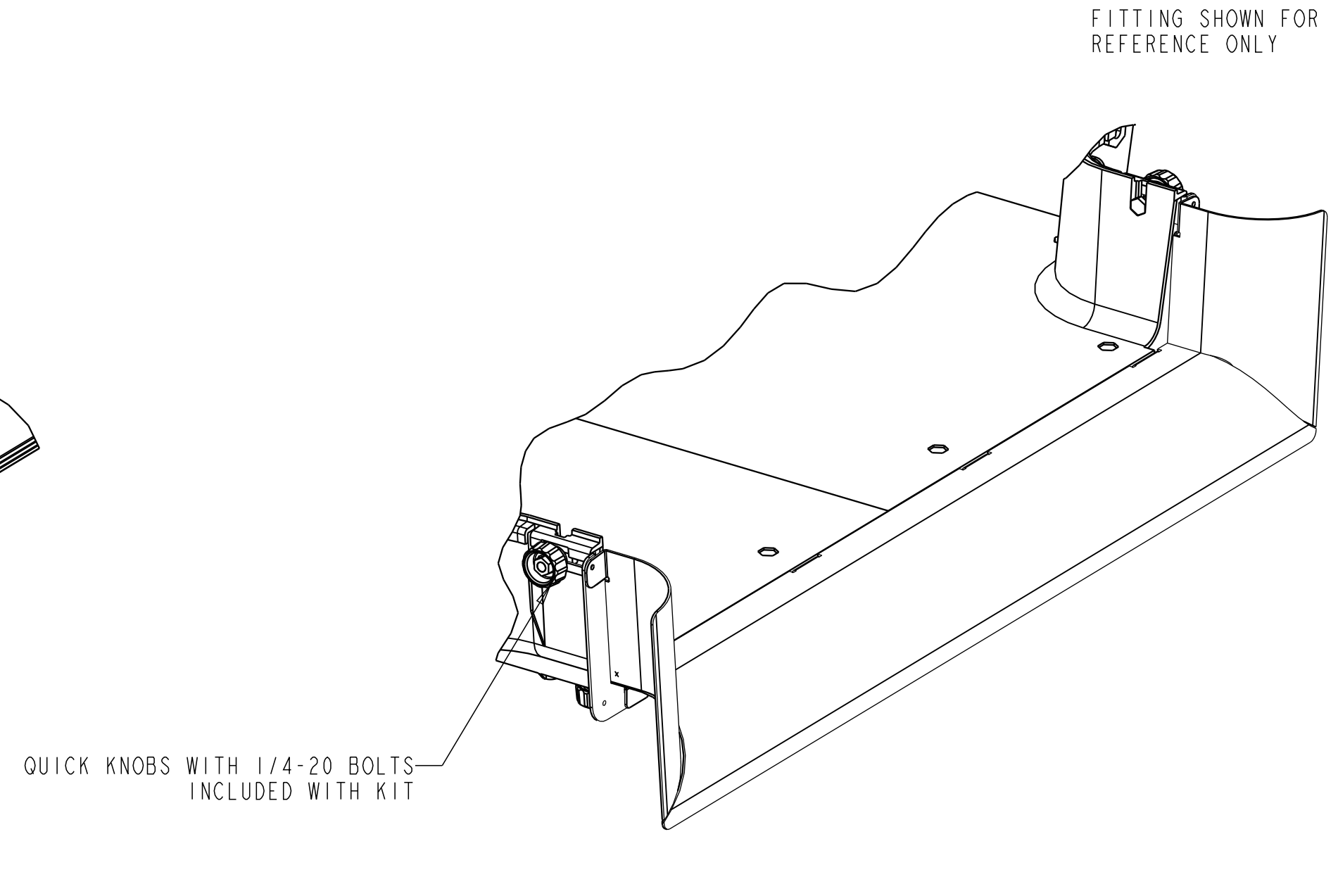
DIMENSIONS IN INCHES  
THIRD ANGLE PROJECTION



SCALE 0.270



SCALE 0.300



SCALE 0.300

LIST OF PARTS IN KIT		
ITEM	DESCRIPTION	QTY
001	TRUMPET FLARE	1
002	QUICK KNOB	6
003	1/4-20 X 1" UNC	6

COMMSCOPE, INC.

© 2016 COMMSCOPE, INC. CONFIDENTIAL  
 NOTICE: THESE DRAWINGS AND SPECIFICATIONS ARE THE PROPRIETARY PROPERTY OF COMMSCOPE, INC. AND MAY BE USED ONLY FOR THE SPECIFIC PURPOSE AUTHORIZED IN WRITING BY COMMSCOPE, INC.  
 ALL DIMS AND TOLERANCES ARE INCHES UNLESS OTHERWISE SPECIFIED

TITLE INST DRW FGS 18" & 24" TRUMPET FLARE KIT		DRAWING NUMBER 1386520_ADC		B REV	
DO NOT SCALE DRAWING		ENGR: DEREK SAYRES DWN: DEREK SAYRES		SHT. 2 OF 2	

DIMENSIONS IN INCHES  
 THIRD ANGLE PROJECTION