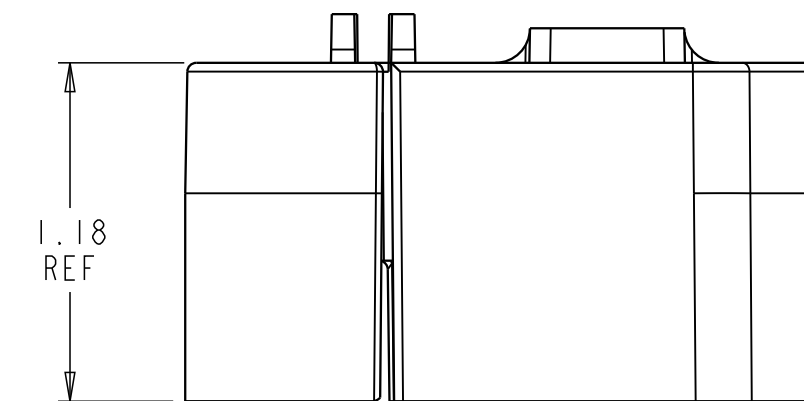
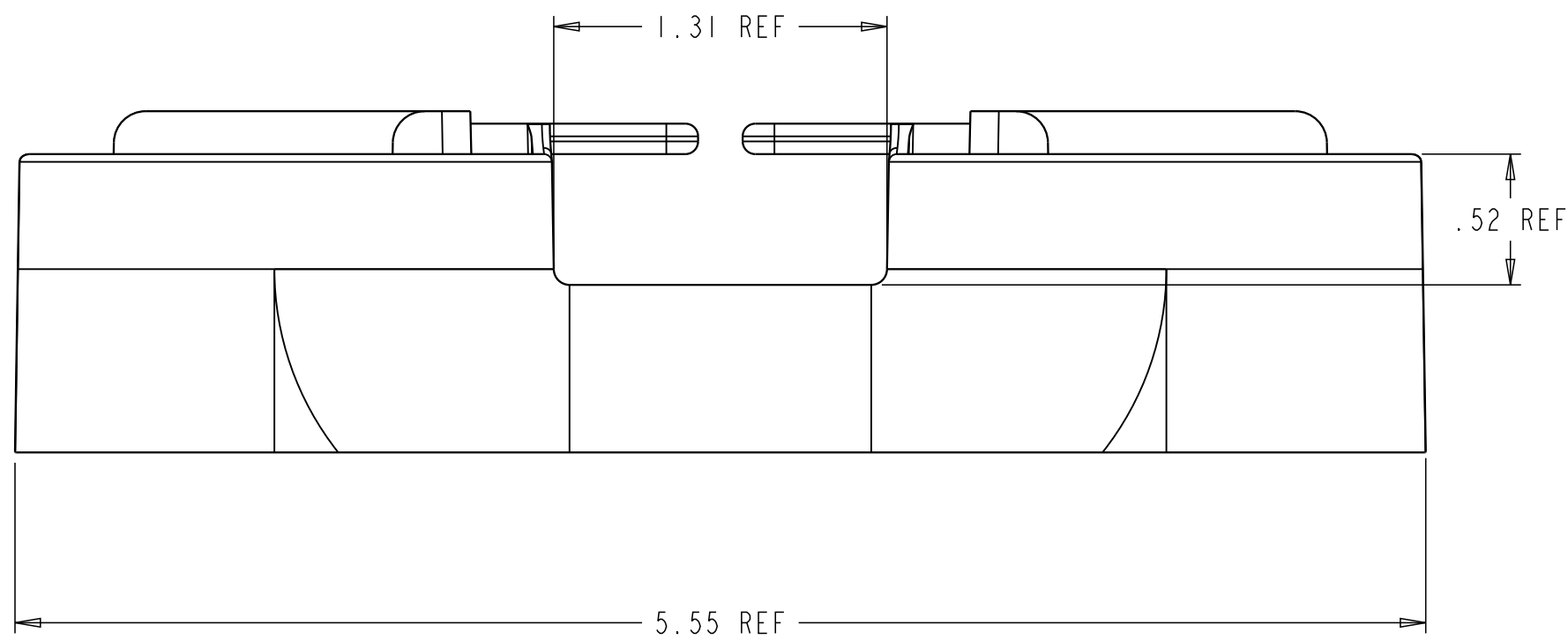
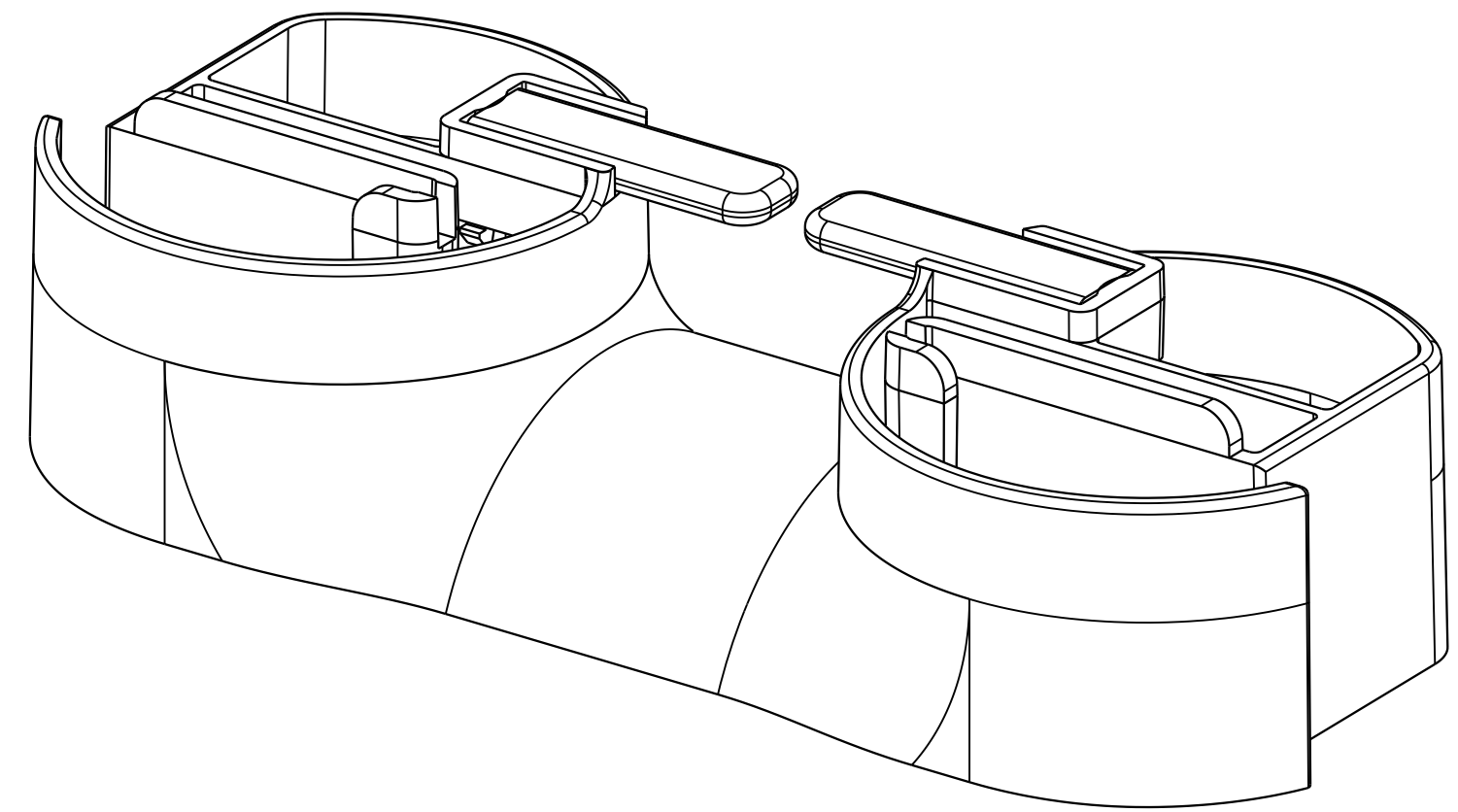
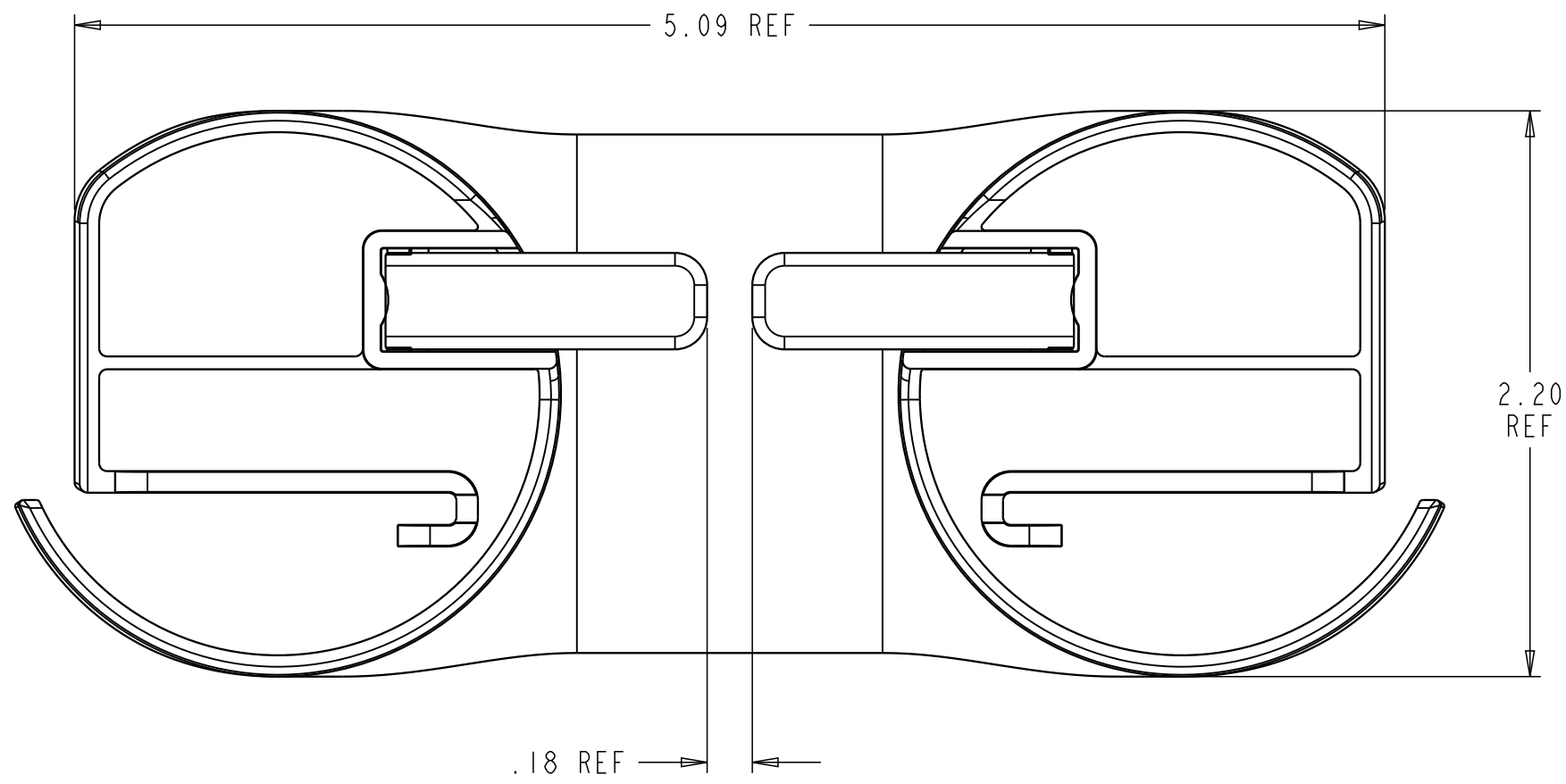


| REV | MCO | DWN | DATE |
|-----|-------------|------|-----------|
| B | 40021932MCO | HUH | 08-JUN-15 |
| C | 40032778MCO | OAVL | 11-AUG-16 |



**CATALOG NUMBER: FGS-VQE22
FGS-VQE22-RW
FGS-VQE22-RWY**

COMMSCOPE, INC.

| | | |
|---------------------------------------------------------------------------------------------------------------------------------------------------------------------------------------------------------------------------------------------------------|------------------------------------------------------------------------------|----------------------------------------------|
| <small>© 2016 COMMSCOPE, INC. CONFIDENTIAL NOTICE: THESE DRAWINGS AND SPECIFICATIONS ARE THE PROPRIETARY PROPERTY OF COMMSCOPE, INC. AND MAY BE USED ONLY FOR THE SPECIFIC PURPOSE AUTHORIZED IN WRITING BY COMMSCOPE, INC.</small> | <small>TITLE</small> VERTICAL FGS 3-SIDED EXIT TRUMPET BLACK, 2" | |
| | <small>ALL DIMS AND TOLERANCES ARE INCHES UNLESS OTHERWISE SPECIFIED</small> | <small>DRAWING NUMBER</small> 1446121_ADC |
| <small>DO NOT SCALE DRAWING</small> | <small>ENGR: DEREK SAYRES DWN: DEREK SAYRES</small> | <small>SHT. 1 OF 2</small> |

**DIMENSIONS IN INCHES
THIRD ANGLE PROJECTION**

A

B

C

D

1

2

3

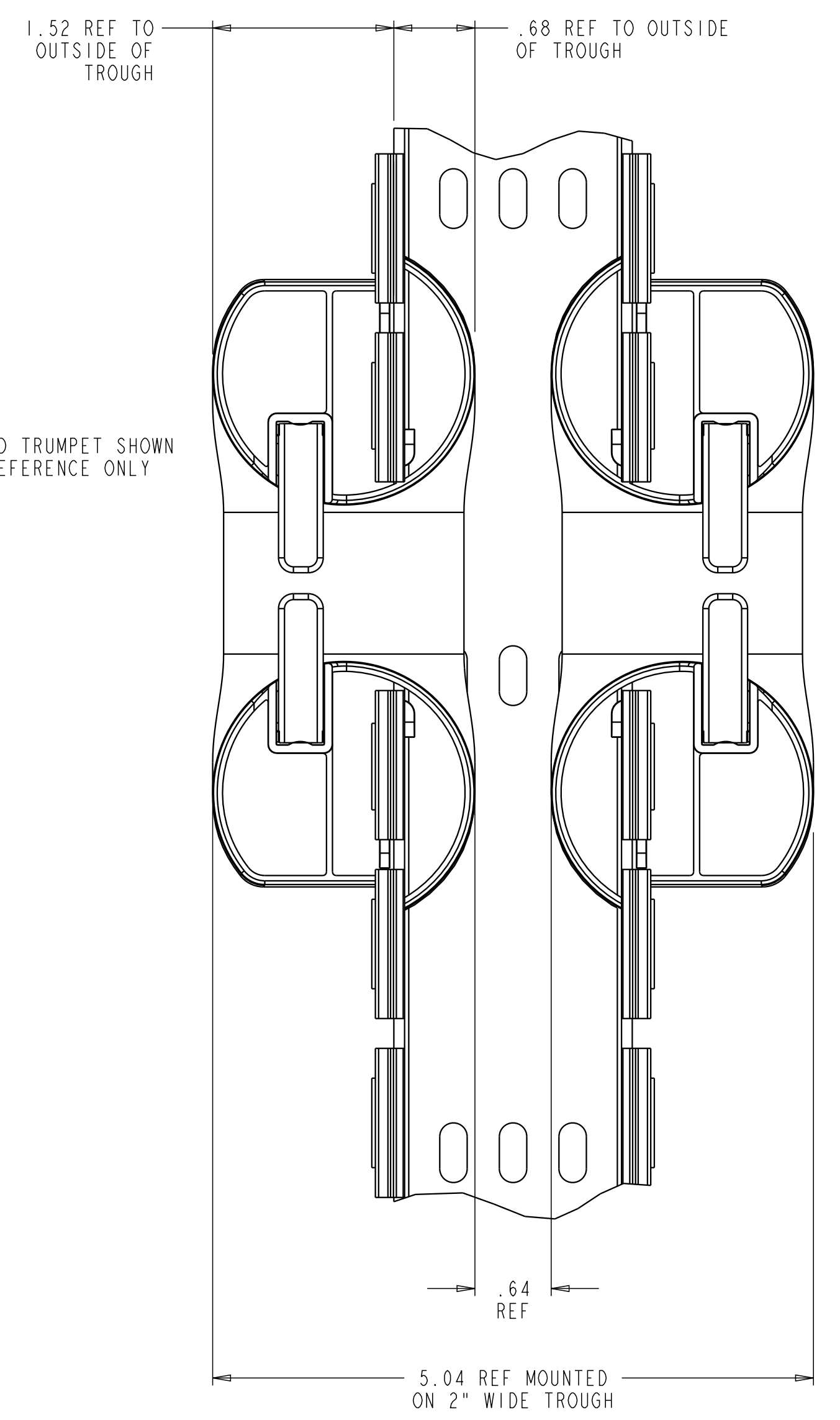
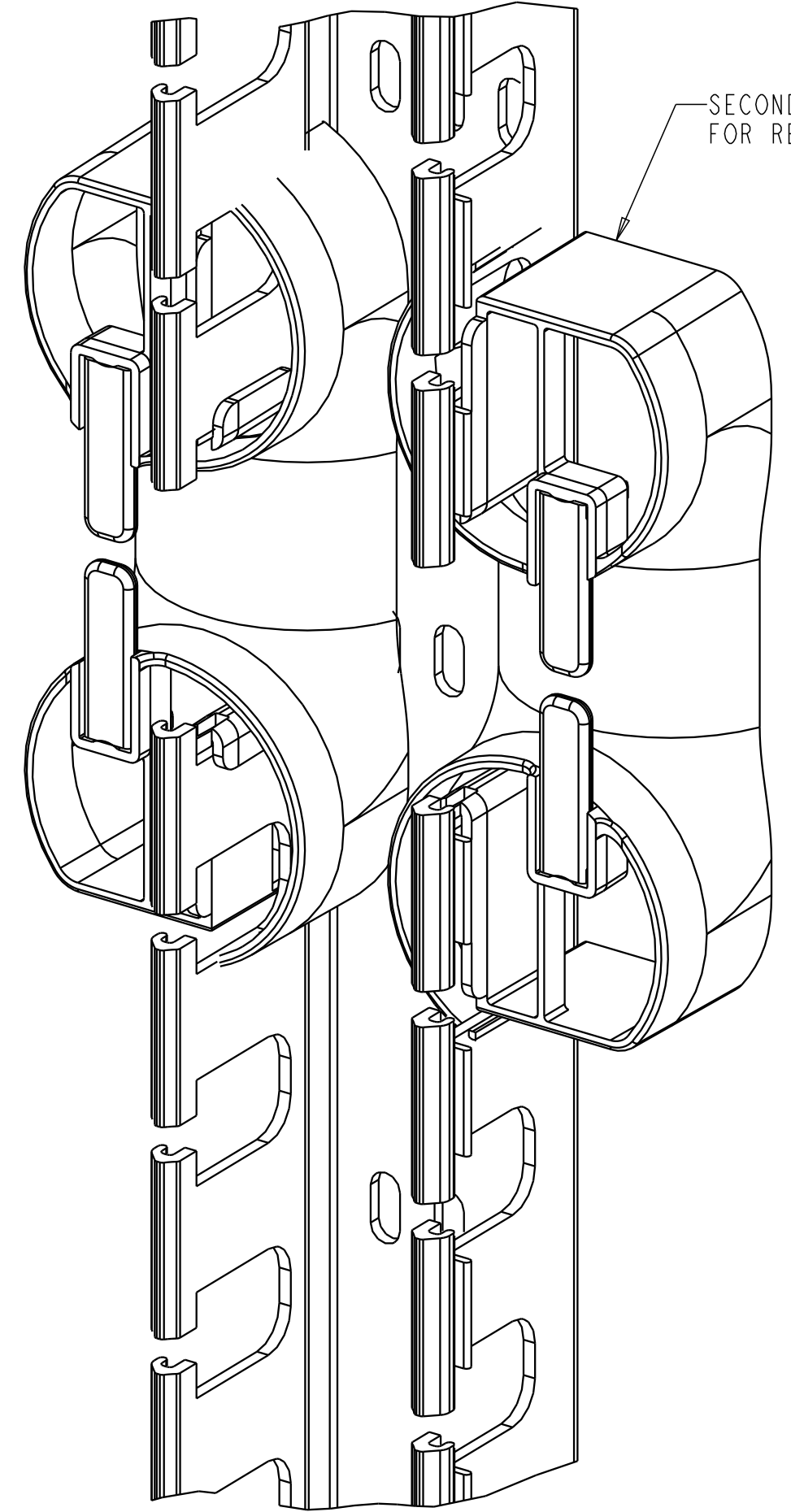
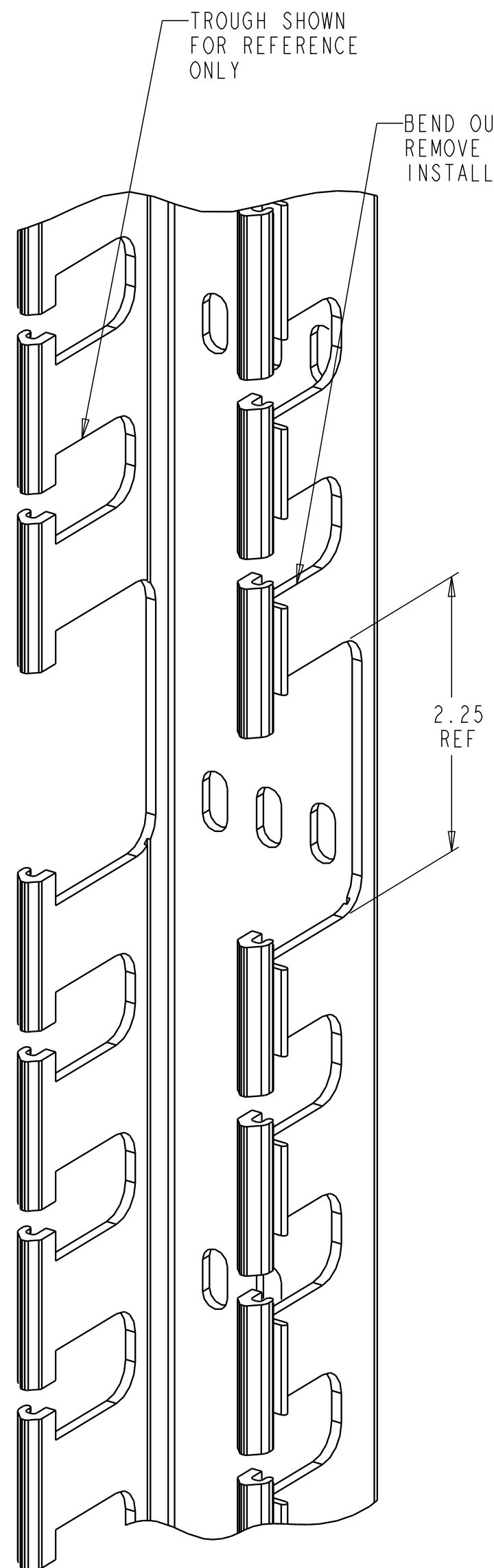
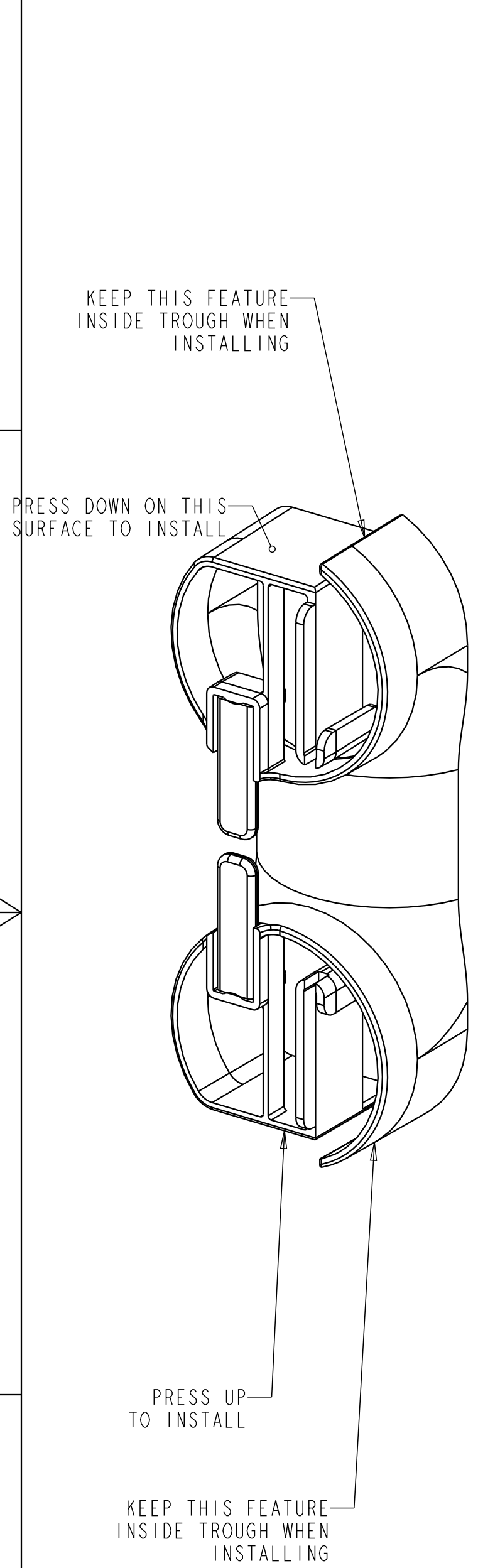
4

1

2

3

4



**CATALOG NUMBER: FGS-VQE22
FGS-VQE22-RW
FGS-VQE22-RWY**

COMMSCOPE, INC.

| | | | |
|---------------------------------------------------------------------------------------------------------------------------------------------------------------------------------------------------------------------------------------------------------|--|------------------------------------------------------------------------|----------------------------------------------|
| <small>© 2016 COMMSCOPE, INC. CONFIDENTIAL NOTICE: THESE DRAWINGS AND SPECIFICATIONS ARE THE PROPRIETARY PROPERTY OF COMMSCOPE, INC. AND MAY BE USED ONLY FOR THE SPECIFIC PURPOSE AUTHORIZED IN WRITING BY COMMSCOPE, INC.</small> | | <small>TITLE</small> VERTICAL FGS 3-SIDED EXIT TRUMPET BLACK, 2" | |
| <small>ALL DIMS AND TOLERANCES .XX:±N/A ARE INCHES UNLESS .XXX:±N/A OTHERWISE SPECIFIED ANGULAR:±N/A</small> | | <small>C SIZE</small> | <small>DRAWING NUMBER</small> 1446121_ADC |
| <small>DO NOT SCALE DRAWING</small> | | <small>ENGR: DEREK SAYRES DWN: DEREK SAYRES</small> | <small>SHT. 2 OF 2</small> |

**DIMENSIONS IN INCHES
THIRD ANGLE PROJECTION**