

OTE2 Series, Optical Terminal Enclosure, 8-port full-size connector, no splitter, gray, wall mount

- Optical Terminal Enclosures incorporate hardened connector technology that is designed to withstand the rugged outside plant environment
- Offers a unique solution for splicing, termination and pass-through cable applications in optical drop cable deployments
- Hardened adapters are factory-terminated and environmentally sealed to ensure rapid plug-and-play drop cable installations
- The universal cable termination system guarantees easy, fast and reliable cable fixation and manipulations

## Product Classification

<b>Regional Availability</b>	Asia   Australia/New Zealand   EMEA   Latin America   North America
<b>Product Type</b>	Access terminal, without splitter/tap
<b>Product Series</b>	OTE

## General Specifications

<b>Application</b>	Accepts fiber drop cables, 7 mm diameter   Accepts fiber feeder cables, 10-16 mm diameter   For holding up to 5 24-way splice trays   Offers up to 16 hardened adapter ports   Offers up to 4x4 standard cable ports
<b>Cable Type</b>	No cable (stubless)
<b>Cable, quantity</b>	0
<b>Distribution Type</b>	8 ports
<b>Enclosure Color</b>	Gray
<b>Mounting</b>	Handhole   Pole   Wall
<b>Port Type</b>	Hardened full-size SC/APC
<b>Port, quantity</b>	8
<b>Splice Tray Included, quantity</b>	4
<b>Splice Tray Type Included</b>	24-way, heat shrink
<b>Splitter, quantity</b>	0
<b>Stub Type</b>	No tail

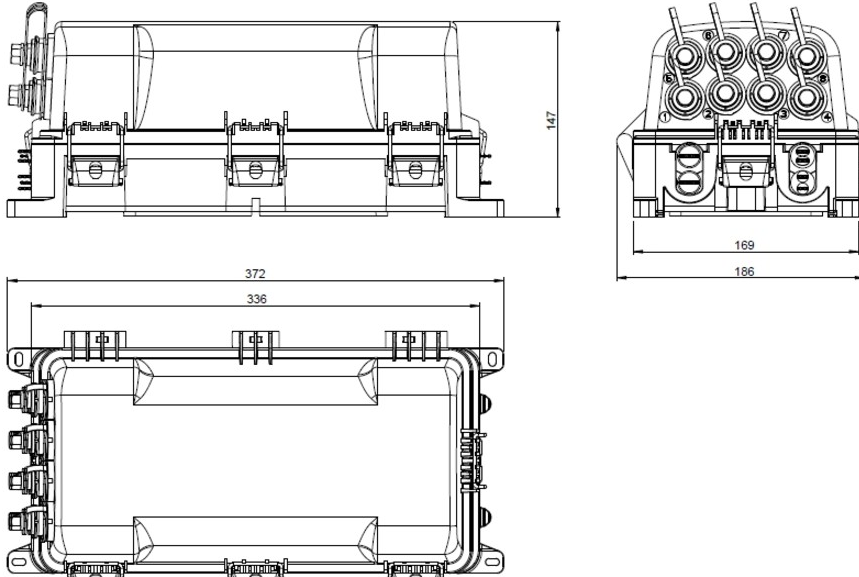
## Dimensions

<b>Height</b>	147 mm   5.787 in
---------------	-------------------

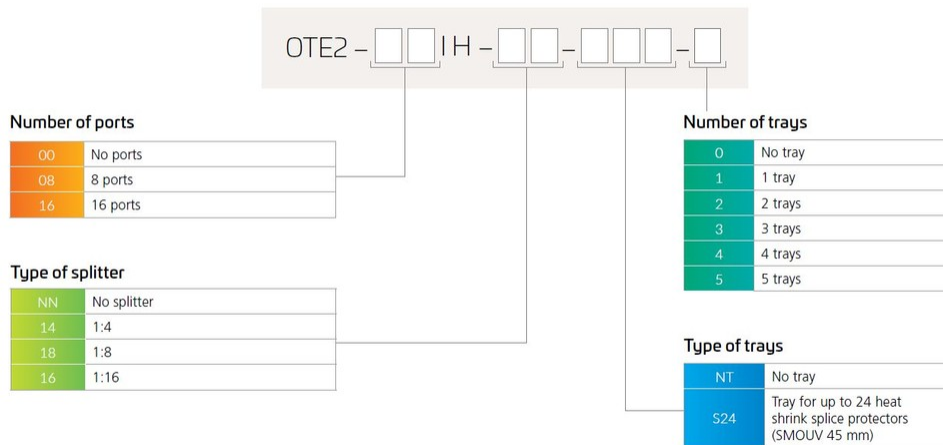
# 760253919 | OTE2-08IH-NN-S24-4-G

<b>Width</b>	372 mm   14.646 in
<b>Depth</b>	186 mm   7.323 in
<b>Cable Length, stub</b>	0 ft (0 m)

## Dimension Drawing



## Ordering Tree



## Material Specifications

**Enclosure Material Type** Glass filled polypropylene (GF-PP)

## Optical Specifications

**Operating Wavelength Range** 1260 – 1635 nm

## Environmental Specifications

**Operating Temperature** -40 °C to +65 °C (-40 °F to +149 °F)

**Relative Humidity** 5%–100%, condensing

**Environmental Space** Above ground | Below ground | Buried

**Qualification Standards** IEC 60529, IP67 | IEC 60529, IP68 + 1 m waterhead

**UV Resistance** UV stabilized

## Packaging and Weights

**Included** Cable fixation kit (5) | Enclosure (1) | Gel Sealing kit (4) | Splice cassette (4) | Wall fixation screws (4)

**Packaging quantity** 1

**Packaging Type** Box | Carton

## Regulatory Compliance/Certifications

Agency	Classification
CHINA-ROHS	Above maximum concentration value
ISO 9001:2015	Designed, manufactured and/or distributed under this quality management system
REACH-SVHC	Compliant as per SVHC revision on <a href="http://www.commscope.com/ProductCompliance">www.commscope.com/ProductCompliance</a>
ROHS	Compliant/Exempted
UK-ROHS	Compliant/Exempted

