



OTE2 Series, Optical Terminal Enclosure, 16-port full-size connector, no splitter, gray, wall mount

- Optical Terminal Enclosures incorporate hardened connector technology that is designed to withstand the rugged outside plant environment
- Offers a unique solution for splicing, termination and pass-through cable applications in optical drop cable deployments
- Hardened adapters are factory-terminated and environmentally sealed to ensure rapid plug-and-play drop cable installations
- The universal cable termination system guarantees easy, fast and reliable cable fixation and manipulations

Product Classification

Regional Availability

Asia | Australia/New Zealand | EMEA | Latin America | North America

Product Type

Access terminal, without splitter/tap

Product Series

OTE

General Specifications

Application

Accepts fiber drop cables, 7 mm diameter | Accepts fiber feeder cables, 10-16 mm diameter | For holding up to 5 24-way splice trays | Offers up to 16 hardened adapter ports | Offers up to 4x4 standard cable ports

Cable Type

No cable (stubless)

Cable, quantity

0

Distribution Type

16 ports

Enclosure Color

Gray

Mounting

Handhole | Pole | Wall

Port Type

Hardened full-size SC/APC

Port, quantity

16

Splice Tray Included, quantity

4

Splice Tray Type Included

24-way, heat shrink

Splitter, quantity

1

Stub Type

No tail

Dimensions

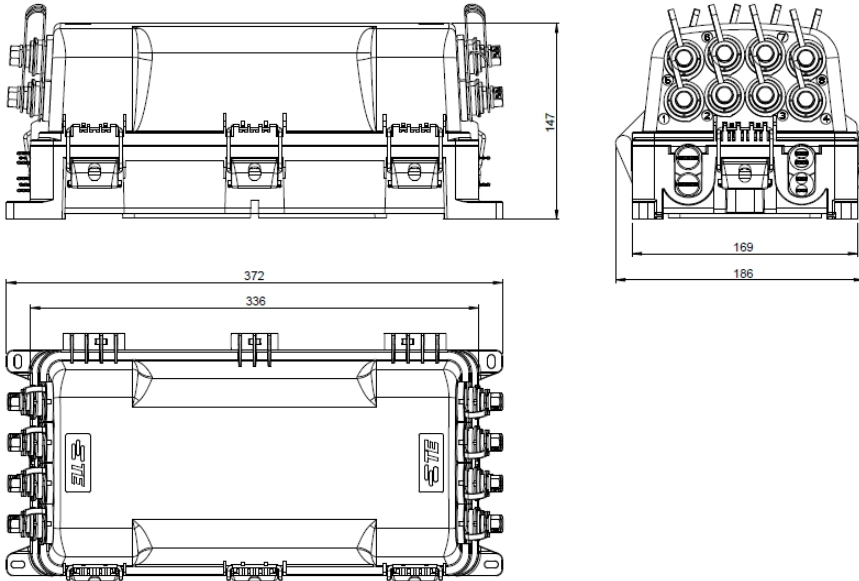
Height

147 mm | 5.787 in

760253920 | OTE2-16IH-NN-S24-4-G

| | |
|---------------------------|--------------------|
| Width | 372 mm 14.646 in |
| Depth | 186 mm 7.323 in |
| Cable Length, stub | 0 ft (0 m) |

Dimension Drawing



Ordering Tree

OTE2 - [] IH - [] - [] - []

Number of ports

| | |
|----|----------|
| 00 | No ports |
| 08 | 8 ports |
| 16 | 16 ports |

Type of splitter

| | |
|----|-------------|
| NN | No splitter |
| 14 | 1:4 |
| 18 | 1:8 |
| 16 | 1:16 |

Number of trays

| | |
|---|---------|
| 0 | No tray |
| 1 | 1 tray |
| 2 | 2 trays |
| 3 | 3 trays |
| 4 | 4 trays |
| 5 | 5 trays |

Type of trays

| | |
|-----|---|
| NT | No tray |
| S24 | Tray for up to 24 heat shrink splice protectors (SMOUV 45 mm) |

Material Specifications

Enclosure Material Type

Glass filled polypropylene (GF-PP)

760253920 | OTE2-16IH-NN-S24-4-G

Optical Specifications

| | |
|--|----------------|
| Operating Wavelength Range | 1260 – 1635 nm |
| Attenuation Terminal Connectors, maximum | 0.4 dB |
| Insertion Loss, Terminal Connector, typical | 0.16 dB |
| Return Loss, Connector, minimum | 65 dB |

Environmental Specifications

| | |
|--------------------------------|---|
| Operating Temperature | -40 °C to +65 °C (-40 °F to +149 °F) |
| Relative Humidity | 5%–100%, condensing |
| Environmental Space | Above ground Below ground Buried |
| Qualification Standards | IEC 60529, IP67 IEC 60529, IP68 + 1 m waterhead |
| UV Resistance | UV stabilized |

Packaging and Weights

| | |
|---------------------------|--|
| Included | Cable fixation kit (5) Enclosure (1) Gel Sealing kit (4) Optical splitter (1) Splice cassette (4) Wall fixation screws (4) |
| Packaging quantity | 1 |
| Packaging Type | Box Carton |

Regulatory Compliance/Certifications

| Agency | Classification |
|---------------|--|
| CHINA-ROHS | Above maximum concentration value |
| ISO 9001:2015 | Designed, manufactured and/or distributed under this quality management system |
| ROHS | Compliant/Exempted |
| UK-ROHS | Compliant/Exempted |

