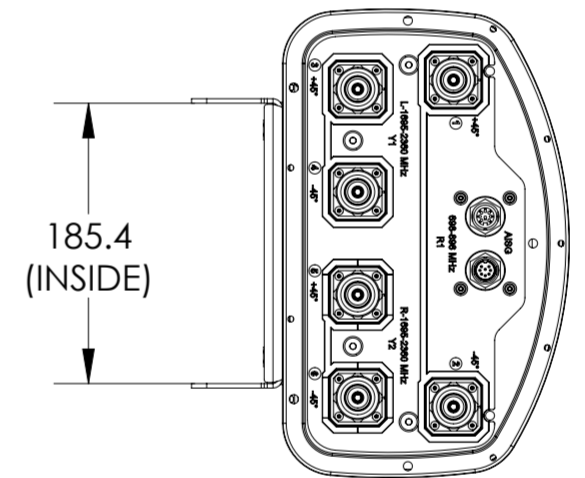
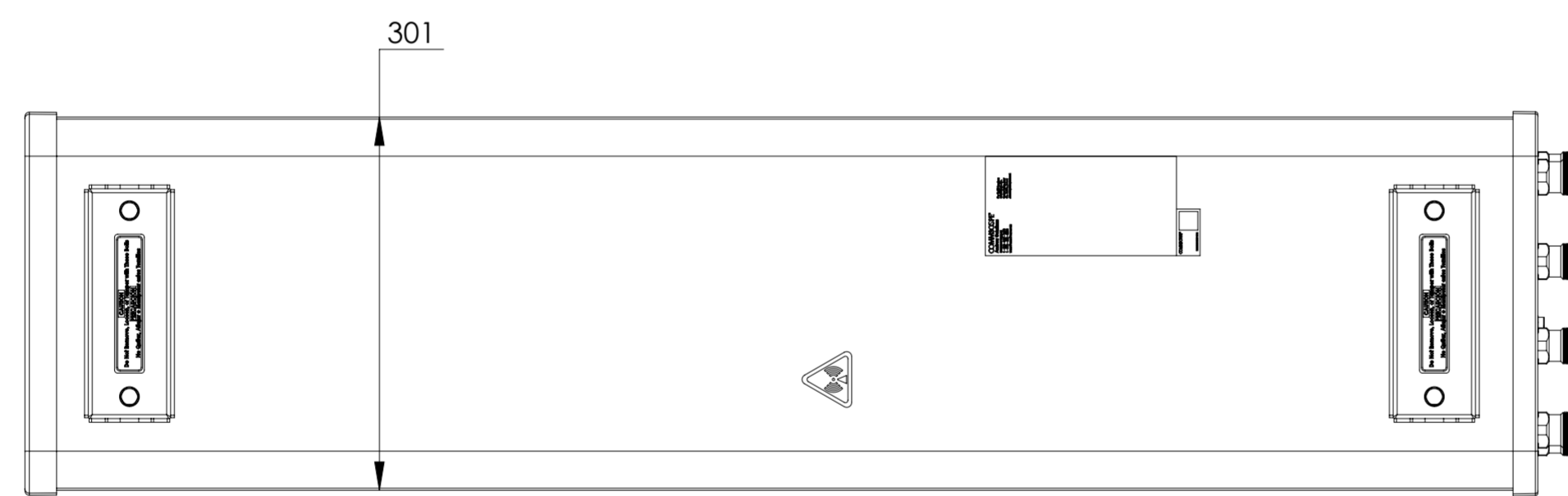
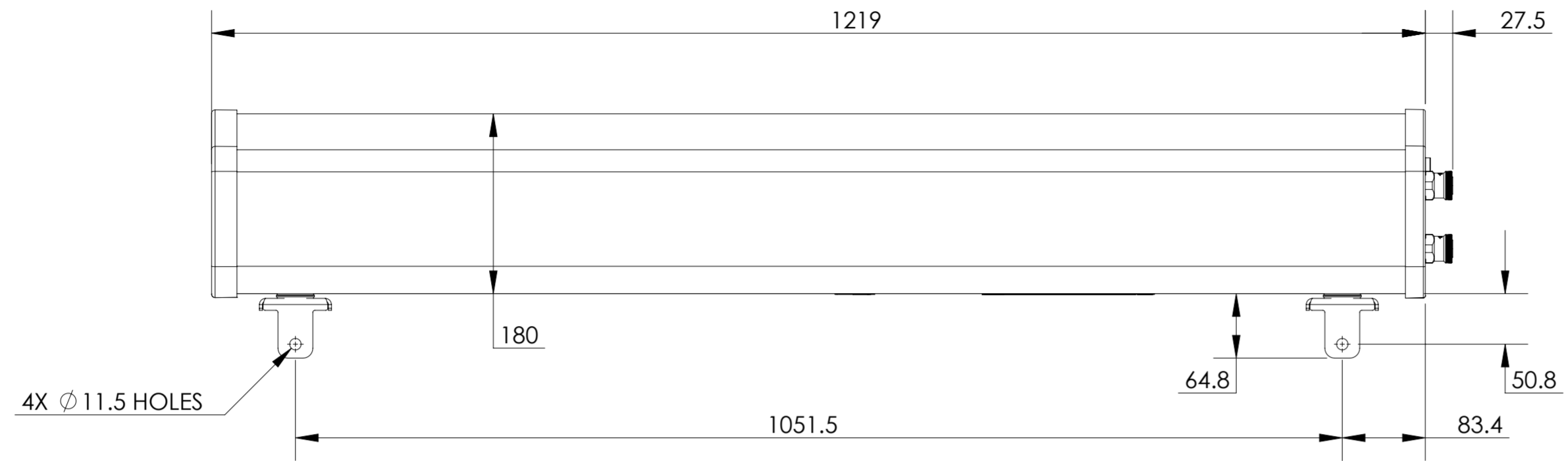


REVISIONS			
REV.	DESCRIPTION	DATE	APPROVED
A	ECR 8000006926: RELEASE TO PRODUCTION PER EAO 601681.	21MAY15 JOY	H.HUANG/WU.BO
B	ECR 40159970CMO: UPDATE DRAWING WITH LATEST MODEL.	28JAN23 RY	PL.TANG/HANSEN.W



SBNHH-1D85A

<b>COMMSCOPE, INC. OF NORTH CAROLINA</b>														
TOLERANCES						SAP MATERIAL MASTER								
0 PLACE X ±			2 PLACE .XX ±			1 PLACE .X ±			ANGLES ±					
FINISH N/A						MATERIAL N/A								
<b>PRODUCT DRAWING</b>														
UNLESS OTHERWISE SPECIFIED DIMENSIONS ARE IN MILLIMETERS INTERPRET PER ISO STANDARDS HANDBOOK TECHNICAL DRAWINGS VOLUMES 1 & 2, THIRD EDITION (2002)		NAME		DATE		TITLE								
		CE JOY		21MAY15		<b>SBNHH-1D85A-L</b>								
		RW RY1017		01/28/2023										
		RV												
AD PLTANG		03/01/2023		SCALE		DOCUMENT NO.								
RE NC1020		03/01/2023		1:5		SBNHH-1D85A-L								
ECN 40159970CMO														
SIZE			WORK AREA			BSA			MODEL			DRAWING		
<b>A2</b>						VERSION			STATUS			REVISION		
						01			RE			B		
HEIGHT			LENGTH			WIDTH			VERSION			STATUS		
									01			RE		
									B			B		
SHEET 1 OF 1														

DENSITY	g/mm <sup>3</sup>
MASS	grams
VOLUME	mm <sup>3</sup>
SURFACE AREA	mm <sup>2</sup>
HEIGHT	
LENGTH	
WIDTH	

© 2015 CommScope, Inc.