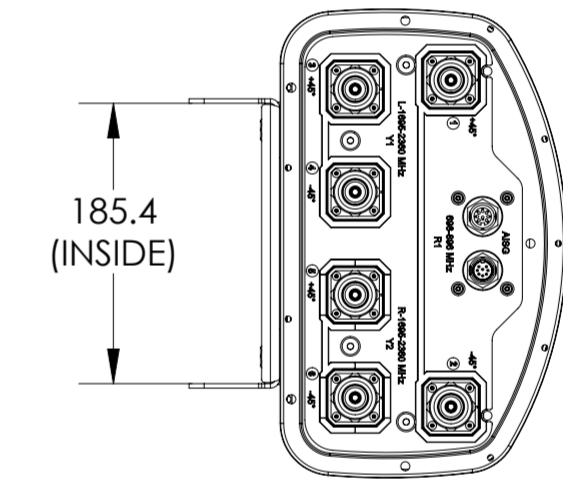
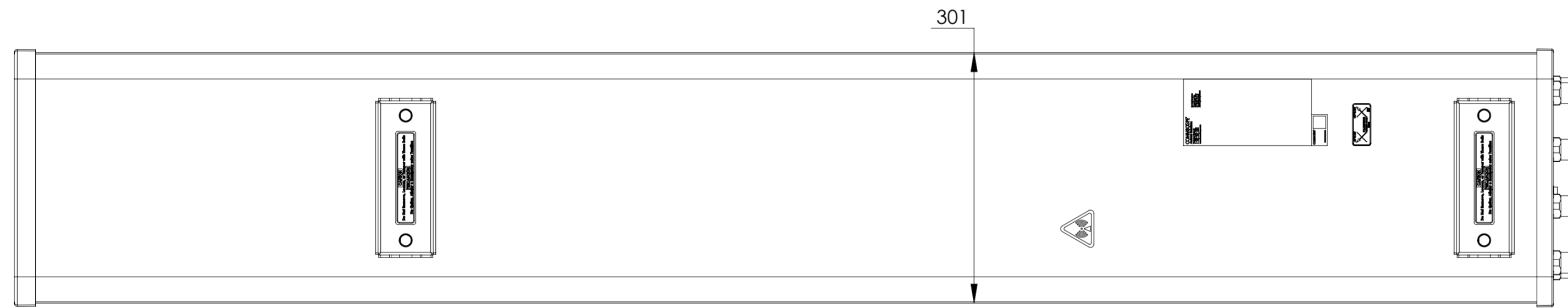


NOTES:

REVISIONS			
REV.	DESCRIPTION	DATE	APPROVED
A	ECR 8000004069: RELEASE TO PRODUCTION PER EAO 601682.	30JAN15 LZ	DM.WANG/WJ.BO
B	ECR 40159970CMO: UPDATE DRAWING WITH LATEST MODEL.	20JAN23 RY	PL.TANG/HANSEN.W



SBNHH-1D85B

COMMSCOPE, INC. OF NORTH CAROLINA

DENSITY:	TOLERANCES 0 PLACE X ± 1 PLACE .X ± 2 PLACE .XX ± ANGLES ±	SAP MATERIAL MASTER
MASS:		
VOLUME:		
SURFACE AREA:		

FINISH N/A	MATERIAL N/A
---------------	-----------------

UNLESS OTHERWISE SPECIFIED DIMENSIONS ARE IN MILLIMETERS INTERPRET PER ISO STANDARDS HANDBOOK TECHNICAL DRAWINGS VOLUMES 1 & 2, THIRD EDITION (2002)	NAME	DATE	TITLE	
	CE L.Z	28JAN15	PRODUCT DRAWING	
	RW RY1017	01/20/2023		
	RV			
	AD PLTANG	03/01/2023	SIZE	SCALE
RE NC1020	03/01/2023	A2	1:1	
ECN 40159970CMO				

© 2015 CommScope, Inc.
 NOTICE: These drawings and specifications are the proprietary property of COMMSCOPE, INC. and may be used only for the specific purpose authorized in writing by COMMSCOPE, INC.

HEIGHT	ALL SURFACES	WORK AREA	BSA	MODEL			DRAWING			SHEET
LENGTH	✓	⊕	▱	VERSION	STATUS	REVISION	VERSION	STATUS	REVISION	1 OF 1
WIDTH				02	RE	C	01	RE	B	