

# L4HR-F

---



4.3-10 Male, right angle for 1/2 in LDF4-50A cable

## Product Classification

<b>Product Type</b>	Wireless and radiating connector
<b>Product Brand</b>	HELIAX®
<b>Product Series</b>	LDF4-50A
<b>Ordering Note</b>	CommScope® standard product (Global)
<b>Warranty</b>	Five years

## General Specifications

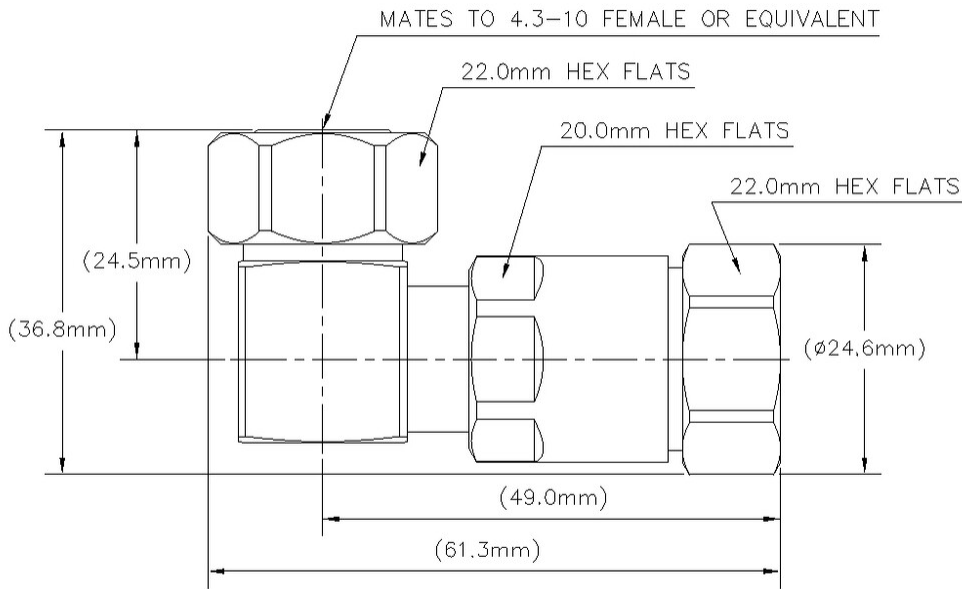
<b>Body Style</b>	Right angle
<b>Cable Family</b>	LDF4-50A
<b>Inner Contact Attachment Method</b>	Captivated
<b>Inner Contact Plating</b>	Silver
<b>Interface</b>	4.3-10 Male
<b>Outer Contact Attachment Method</b>	Clamp
<b>Outer Contact Plating</b>	Trimetal

## Dimensions

<b>Length</b>	61.25 mm   2.411 in
<b>Right Angle Length</b>	36.8 mm   1.449 in
<b>Diameter</b>	24.6 mm   0.969 in
<b>Nominal Size</b>	1/2 in

## Outline Drawing

# L4HR-F



## Electrical Specifications

<b>3rd Order IMD at Frequency</b>	-116 dBm @ 900 MHz
<b>3rd Order IMD Test Method</b>	Static   Two +43 dBm carriers
<b>Insertion Loss Coefficient, typical</b>	0.05
<b>Average Power at Frequency</b>	600.0 W @ 900 MHz
<b>Cable Impedance</b>	50 ohm
<b>Connector Impedance</b>	50 ohm
<b>dc Test Voltage</b>	2500 V
<b>Inner Contact Resistance, maximum</b>	1 mOhm
<b>Insulation Resistance, minimum</b>	5000 MOhm
<b>Operating Frequency Band</b>	0 – 8800 MHz
<b>Outer Contact Resistance, maximum</b>	1 mOhm
<b>Peak Power, maximum</b>	22.5 kW
<b>RF Operating Voltage, maximum (vrms)</b>	707 V
<b>Shielding Effectiveness</b>	-110 dB

# L4HR-F

---

## VSWR/Return Loss

Frequency Band	VSWR	Return Loss (dB)	Gated VSWR	Gated Return Loss (dB)	VSWR, typical	Return Loss, typical (dB)
0–1000 MHz	1.046	33	1.02	40		
1000–2200 MHz	1.065	30	1.036	35		
2200–3000 MHz	1.106	26	1.058	31		
3000–6000 MHz	1.288	18	1.152	23		
6000–8000 MHz					1.433	15

## Mechanical Specifications

<b>Attachment Durability</b>	25 cycles
<b>Connector Retention Tensile Force</b>	600 N   134.885 lbf
<b>Connector Retention Torque</b>	4.5 N-m   39.828 in lb
<b>Coupling Nut Proof Torque</b>	10 N-m   88.507 in lb
<b>Coupling Nut Retention Force</b>	449.98 N   101.16 lbf
<b>Insertion Force</b>	66.72 N   14.999 lbf
<b>Insertion Force Method</b>	IEC 60068-2-21 Method Ua2
<b>Interface Durability</b>	100 cycles
<b>Mechanical Shock Test Method</b>	IEC 60068-2-27

## Environmental Specifications

<b>Operating Temperature</b>	-55 °C to +85 °C (-67 °F to +185 °F)
<b>Storage Temperature</b>	-55 °C to +85 °C (-67 °F to +185 °F)
<b>Corrosion Test Method</b>	IEC 60068-2-11
<b>Immersion Depth</b>	1 m
<b>Immersion Test Mating</b>	Mated
<b>Immersion Test Method</b>	IEC 60529:2001, IP68
<b>Moisture Resistance Test Method</b>	IEC 60068-2-3
<b>Thermal Shock Test Method</b>	IEC 60068-2-14
<b>Vibration Test Method</b>	IEC 60068-2-6

## Packaging and Weights

# L4HR-F

---

<b>Height, packed</b>	248.92 mm   9.8 in
<b>Width, packed</b>	266.7 mm   10.5 in
<b>Length, packed</b>	266.7 mm   10.5 in
<b>Packaging quantity</b>	50
<b>Weight, net</b>	123.4 g   0.272 lb

## Regulatory Compliance/Certifications

<b>Agency</b>	<b>Classification</b>
CHINA-ROHS	Below maximum concentration value
REACH-SVHC	Compliant as per SVHC revision on <a href="http://www.commscope.com/ProductCompliance">www.commscope.com/ProductCompliance</a>
ROHS	Compliant
UK-ROHS	Compliant



## \* Footnotes

<b>Warranty</b>	For more information, please consult our Product Warranty guidelines
<b>Insertion Loss Coefficient, typical</b>	0.05√freq (GHz) (not applicable for elliptical waveguide)
<b>Immersion Depth</b>	Immersion at specified depth for 24 hours