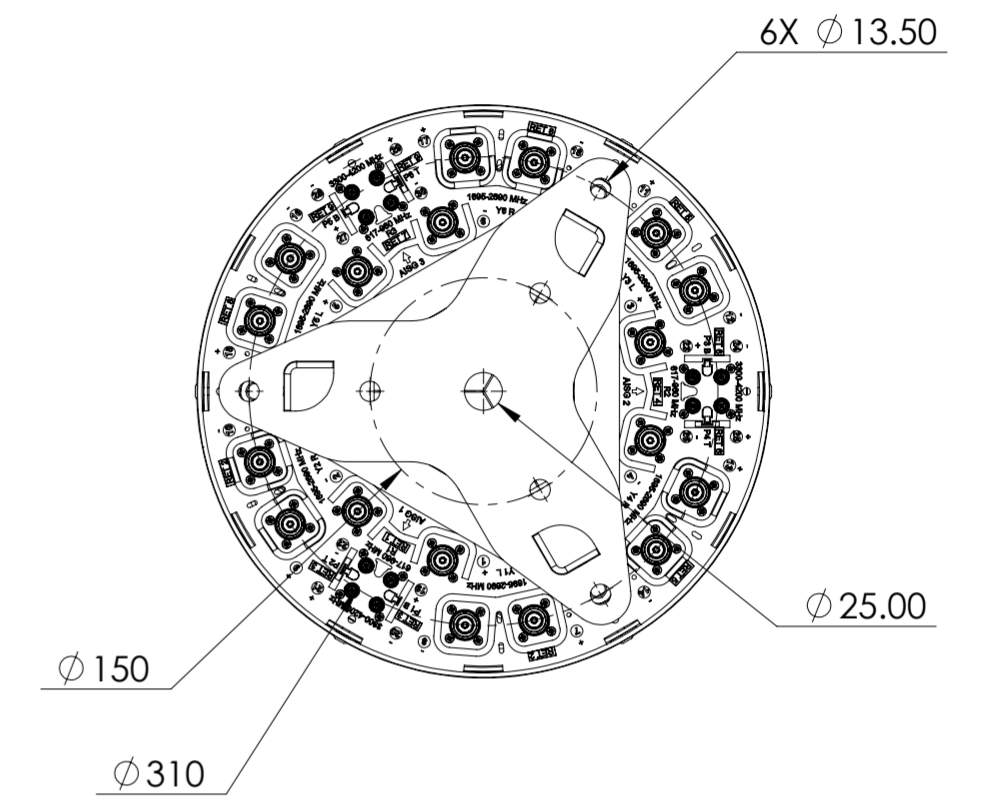
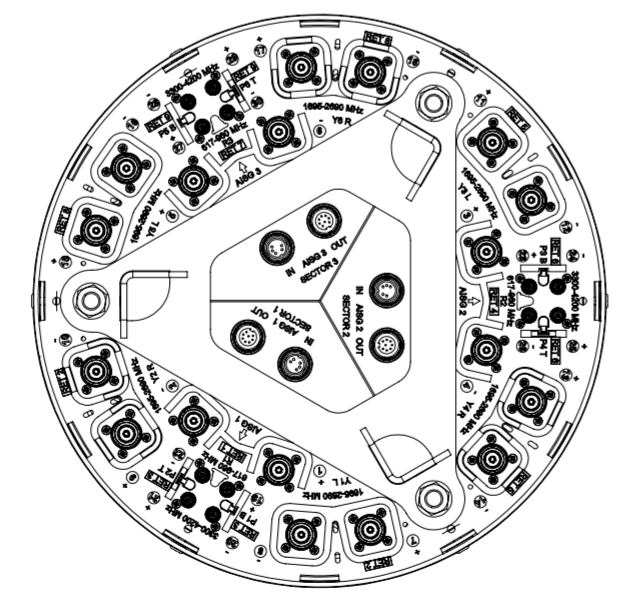


REVISIONS			
REV.	DESCRIPTION	DATE	APPROVED
A	ECR 40150949CMO: RELEASE TO PRODUCTION PER EAO 610918.	10OCT22 LJ	LP.Y/YZW



3X-KVVSS-65A-R9



VIEW A-A
BOT BKT NOT SHOWN

DENSITY	g/mm ³
MASS	grams
VOLUME	mm ³
SURFACE AREA	mm ²
HEIGHT	
LENGTH	
WIDTH	

COMMSCOPE, INC. OF NORTH CAROLINA

TOLERANCES		SAP MATERIAL MASTER	
0 PLACE X ±	2 PLACE .XX ±		
1 PLACE .X ±	ANGLES ±		
FINISH		MATERIAL	
<small>UNLESS OTHERWISE SPECIFIED DIMENSIONS ARE IN MILLIMETERS INTERPRET PER ISO STANDARDS HANDBOOK TECHNICAL DRAWINGS VOLUMES 1 & 2, THIRD EDITION (2002)</small>		NAME	DATE
		CE LJ	10OCT22
		AD	
		RE	
		ECN	
TITLE		SCALE	
PRODUCT DRAWING		1:5	
		DOCUMENT NO.	
		3X-KVVSS-65A-R9-L	
SIZE	Auth Group	MODEL	
A2		VERSION	STATUS
		REVISION	REVISION
		DRAWING	
		VERSION	STATUS
		REVISION	REVISION
		SHEET	
		1 OF 1	