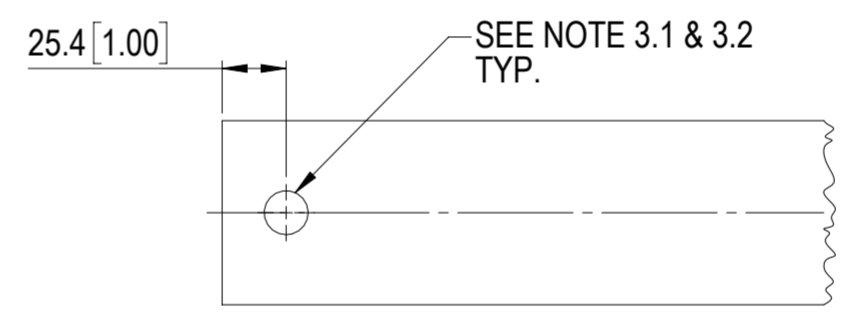
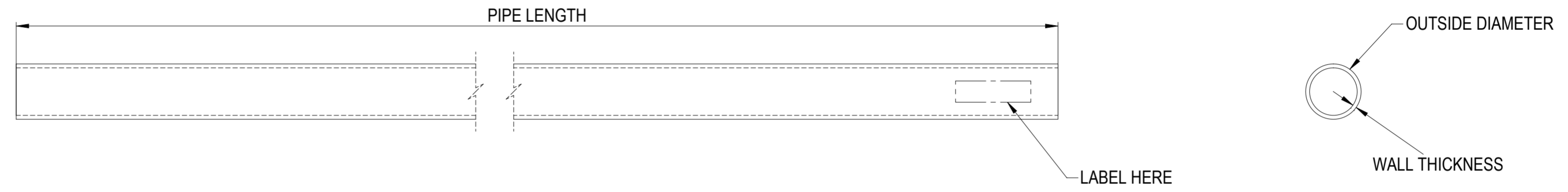


- 1.0 GENERAL NOTES  
 1.1 ALL IMPERIAL DIMENSIONS ARE IN BRACKETS [X.XX]  
 1.2 FEATURES CRITICAL TO QUALITY ARE INDICATED IN ROUNDED BOX (X.X)  
 2.0 DESIGN NOTES  
 2.1 DESIGNED PER CUSTOMER REQUIREMENTS  
 3.0 MANUFACTURING/SPECIAL REQUIREMENTS  
 3.1 ALL HOLES ARE 17.5[0.69] DIA U.N.O.

- 3.2 HOLES MAY OR MAY NOT BE PRESENT, DEPEND UPON MANUFACTURE DISCRETION  
 3.3 ALL FIELD CUT AND DRILLED SURFACES SHALL BE REPAIRED WITH A MINIMUM OF TWO COATS OF ZINGA OR ZINC COTE PER ASTM A780 AND MANUFACTURE'S RECOMMENDATION.  
 3.4 APPROVED SMART KIT VENDORS ARE ALLOWED TO SUBSTITUTE AT THEIR DISCRETION PIPES LISTED ON THIS PAGE FOR CUSTOM LENGTH COMPONENTS OF MATCHING SIZE, SUBSTITUTIONS SHALL MEET THE ORIGINAL STRUCTURAL INTENT.  
 3.5 HOT-DIPPED GALVANIZED PER ASTM A123.  
 4.0 TEST  
 5.0 PACKAING  
 5.1 PACKAGING SHALL MEET COMMSCOPE REQUIREMENTS PER DOCUMENT IS-PL-3005.

REVISIONS			
REV.	DESCRIPTION	DATE	APPROVED
A	INITIAL RELEASE	XG1026 14JUN22	XK1001 40149852CMO
B	ADDED BARE TUBES ON THE TABLE	LS1146 12OCT23	XK1001 40180856CMO



FIELD DRILL HOLE LOCATION  
(IF NEED)

VZWSMART STANDARD PIPE

PART NO.	DESCRIPTION	OUTSIDE DIAMETER		WALL THICKNESS		PIPE LENGTH		WEIGHT		MATERIAL GRADE	BARE PIPE
		MM	INCH	MM	INCH	MM	INCH	KG	LBS		
P40-238X048	PIPE 2 SCH40 (2.375" OD X 0.154" THK)	60.33	2.375	3.91	0.154	1219	48	7	14	A500 GRC	P40-238X048-BR
P40-238X072	PIPE 2 SCH40 (2.375" OD X 0.154" THK)	60.33	2.375	3.91	0.154	1829	72	10	22	A500 GRC	P40-238X072-BR
P40-238X096	PIPE 2 SCH40 (2.375" OD X 0.154" THK)	60.33	2.375	3.91	0.154	2438	96	13	29	A500 GRC	P40-238X096-BR
P40-238X120	PIPE 2 SCH40 (2.375" OD X 0.154" THK)	60.33	2.375	3.91	0.154	3048	120	16	36	A500 GRC	P40-238X120-BR
P40-238X126	PIPE 2 SCH40 (2.375" OD X 0.154" THK)	60.33	2.375	3.91	0.154	3200	126	17	38	A500 GRC	P40-238X126-BR
P40-238X150	PIPE 2 SCH40 (2.375" OD X 0.154" THK)	60.33	2.375	3.91	0.154	3810	150	20	45	A500 GRC	P40-238X150-BR
P40-238X174	PIPE 2 SCH40 (2.375" OD X 0.154" THK)	60.33	2.375	3.91	0.154	4420	174	24	52	A500 GRC	P40-238X174-BR
P40-278X048	PIPE 2.5 SCH40 (2.875" OD X 0.203" THK)	73.03	2.875	5.16	0.203	1219	48	10	23	A500 GRC	P40-278X048-BR
P40-278X072	PIPE 2.5 SCH40 (2.875" OD X 0.203" THK)	73.03	2.875	5.16	0.203	1829	72	16	34	A500 GRC	P40-278X072-BR
P40-278X096	PIPE 2.5 SCH40 (2.875" OD X 0.203" THK)	73.03	2.875	5.16	0.203	2438	96	21	46	A500 GRC	P40-278X096-BR
P40-278X120	PIPE 2.5 SCH40 (2.875" OD X 0.203" THK)	73.03	2.875	5.16	0.203	3048	120	26	57	A500 GRC	P40-278X120-BR
P40-278X126	PIPE 2.5 SCH40 (2.875" OD X 0.203" THK)	73.03	2.875	5.16	0.203	3200	126	27	60	A500 GRC	P40-278X126-BR
P40-278X150	PIPE 2.5 SCH40 (2.875" OD X 0.203" THK)	73.03	2.875	5.16	0.203	3810	150	32	72	A500 GRC	P40-278X150-BR
P40-278X174	PIPE 2.5 SCH40 (2.875" OD X 0.203" THK)	73.03	2.875	5.16	0.203	4420	174	38	83	A500 GRC	P40-278X174-BR
P40-312X048	PIPE 3 SCH40 (3.5" OD X 0.216" THK)	88.90	3.500	5.49	0.216	1219	48	14	30	A500 GRC	P40-312X048-BR
P40-312X072	PIPE 3 SCH40 (3.5" OD X 0.216" THK)	88.90	3.500	5.49	0.216	1829	72	20	45	A500 GRC	P40-312X072-BR
P40-312X126	PIPE 3 SCH40 (3.5" OD X 0.216" THK)	88.90	3.500	5.49	0.216	3200	126	36	79	A500 GRC	P40-312X126-BR
P40-312X150	PIPE 3 SCH40 (3.5" OD X 0.216" THK)	88.90	3.500	5.49	0.216	3810	150	42	94	A500 GRC	P40-312X150-BR
P40-312X174	PIPE 3 SCH40 (3.5" OD X 0.216" THK)	88.90	3.500	5.49	0.216	4420	174	49	109	A500 GRC	P40-312X174-BR

DENSITY	g/mm <sup>3</sup>
MASS	SEE TABLE grams
VOLUME	mm <sup>3</sup>
SURFACE AREA	mm <sup>2</sup>
HEIGHT	SEE TABLE
LENGTH	
WIDTH	

**COMMSCOPE, INC. OF NORTH CAROLINA**

TOLERANCES		SAP MATERIAL MASTER	
0 PLACE X[.] ± 3[0.1]	2 PLACE .XX[.XXX] ± 0.76[0.030]	<b>SEE TABLE</b>	
1 PLACE .X[.XX] ± 1.5[0.06]	ANGLES ± 1°		
FINISH GALV A123		MATERIAL SEE TABLE	
UNLESS OTHERWISE SPECIFIED DIMENSIONS ARE IN MILLIMETERS INTERPRET PER ANSI Y 14.5M-1994	NAME	DATE	TITLE
	CE XG1026	6/14/2022	<b>VZWSMART STANDARD PIPE</b>
	RW LS1146	10/12/2023	
	AD XK1001	10/12/2023	
	RE LS1146	10/31/2023	
ECN 40180856CMO			
SCALE	DOCUMENT NO.	<b>VZWSMART-PIPE</b>	
1:5		SIZE	Auth Group
		INSL	MODEL
		VERSION	STATUS
		RE	REVISION
		A	01
		RE	B
		DRAWING	SHEET
			1 OF 1