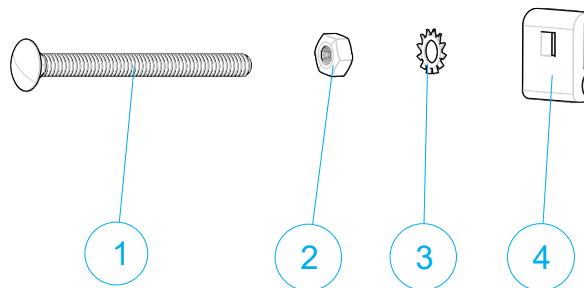


## NOVUX™ Fiber Optic System Pedestal Bracket

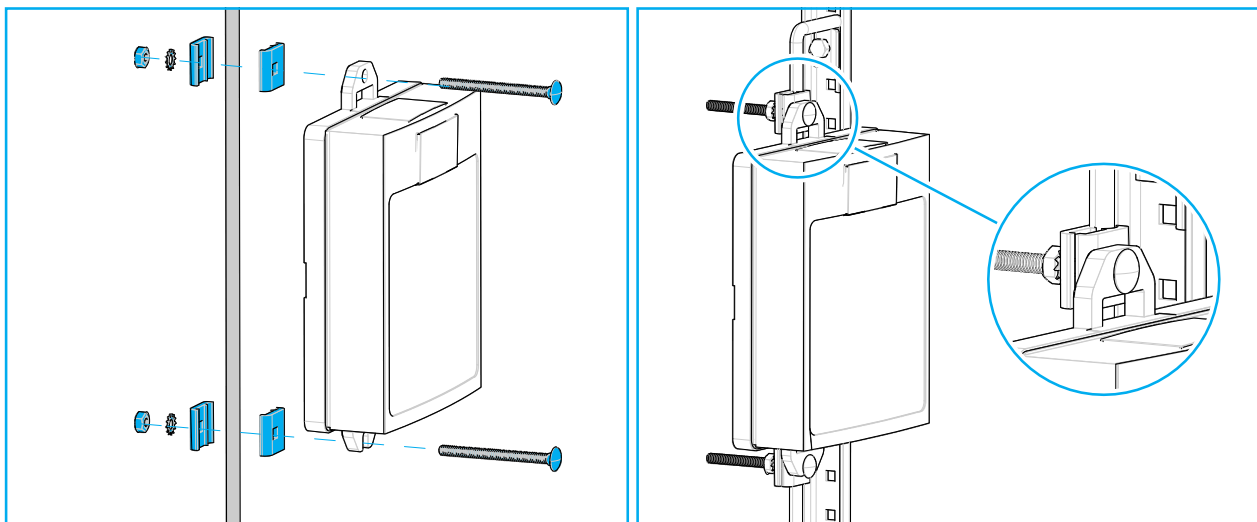
### 1 Kit content



N°	Description	Qty
1	DIN 603 M6X30	2
2	Nut M6	2
3	Lock washer M6	2
4	Cable clamp	4

### 2 Mounting options

#### 2.1 Pedestal bracket and hardened terminal



## 2.2

## Pedestal bracket and universal mounting bracket

