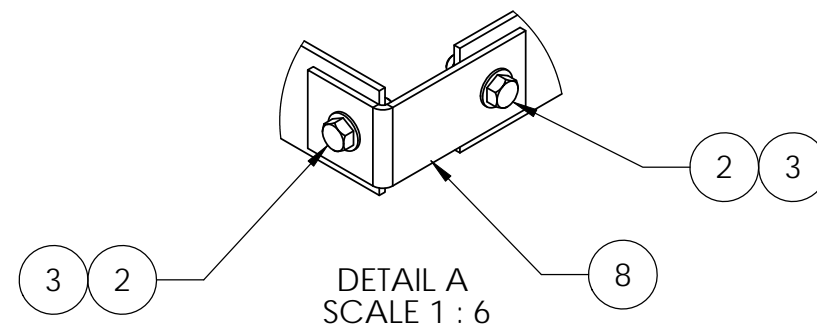
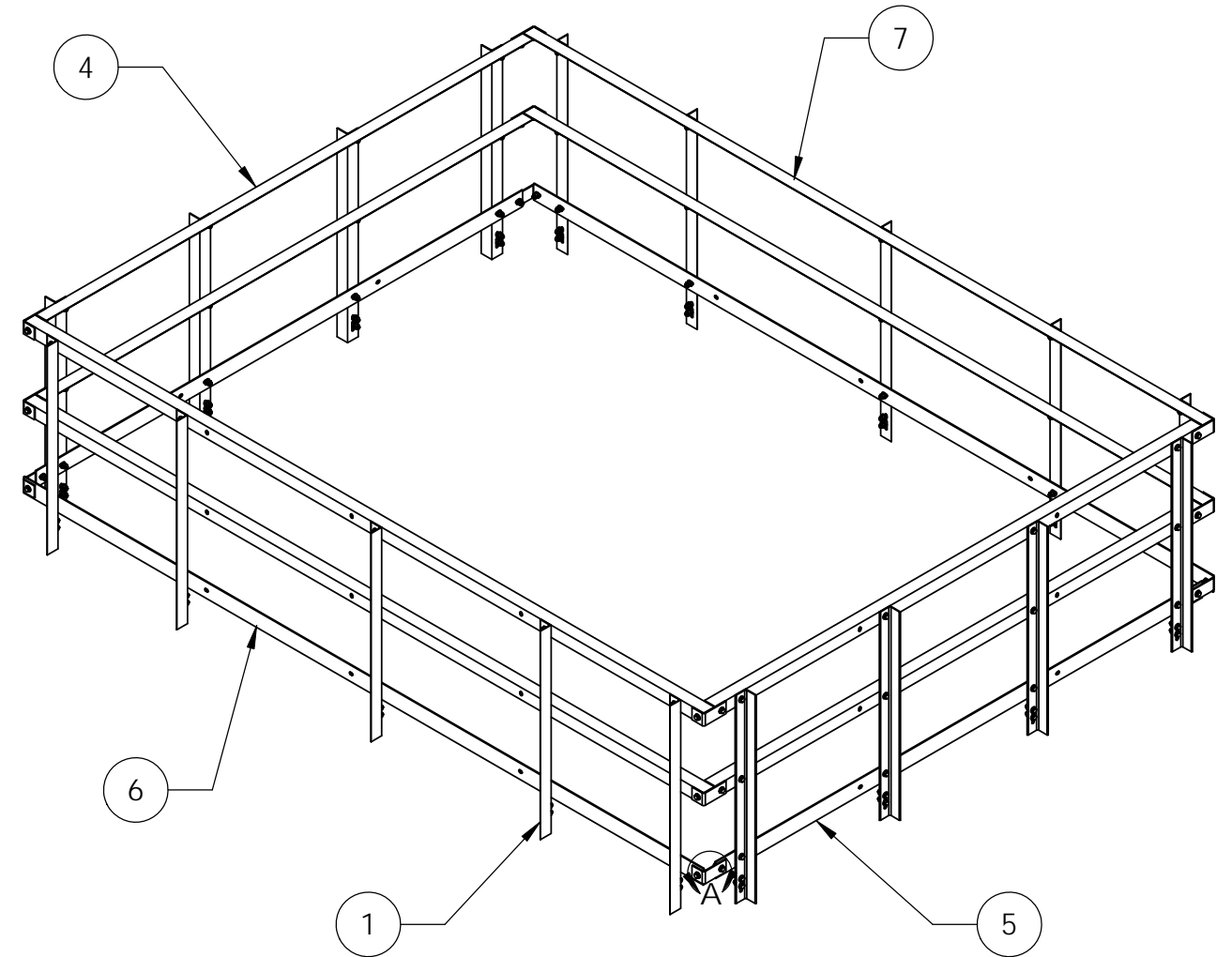
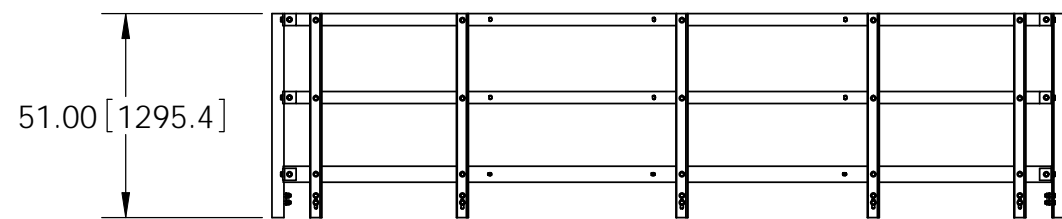
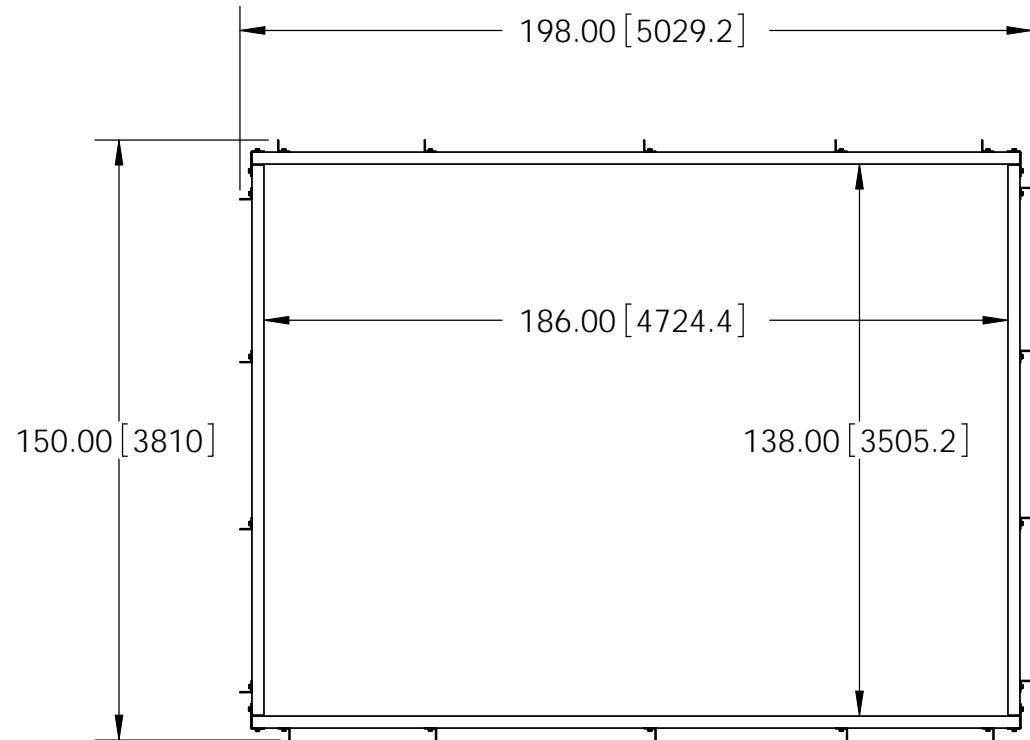



ITEM	PART NO.	DESCRIPTION	QTY.	WEIGHT
1	EQHR01	HANDRAIL POST	18	15.54 LBS
2	GB-05205	5/8" X 2" GALV BOLT KIT	114	0.10 LBS
3	GWF-05	5/8" GALV FLAT WASHER	228	0.01 LBS
4	EQHR121601	12' END HANDRAIL	4	42.21 LBS
5	EQHR121602	12' END TOEBOARD	2	38.42 LBS
6	MTC79021016.03	16' SIDE TOEBOARD	2	53.69 LBS
7	MTC79021016.04	16' SIDE HANDRAIL	4	58.97 LBS
8	MTC7902.08	HANDRAIL ANGLE CLIP	12	1.87 LBS

REVISIONS				
REV.	ZONE	DESCRIPTION	BY	DATE
A		INITIAL RELEASE	DRR	08/03/11



NOTES:  
1. ALL METRIC DIMENSIONS ARE IN BRACKETS.

These drawings and specifications are the proprietary property of CommScope Inc. and may be used only for the specific purpose authorized in writing by CommScope Inc.  ALL DIMENSIONS ARE IN INCHES U.O.S. TOLERANCES UNLESS OTHERWISE SPECIFIED: .X = ± .12      ANGLES      ±2° .XX = ± .06      FRACTIONS      ±1/32 .XXX = ± .031  REMOVE BURRS AND BREAK EDGES .005  DO NOT SCALE THIS PRINT	DRAWN BY: DRR	SHEET: 1 of 1	PART NUMBER: EQ-HR1216
	CHECKED BY: TP	SCALE: NTS	DESCRIPTION: 12' X 16' PLATFORM HANDRAIL
	DATE: 08/03/11	MATERIAL: A36, A568	DRAWING TYPE: ASSEMBLY DRAWING
	REVISION: <b>A</b>	FINISH: GALV A123	 WESTCHESTER, IL. 60154 U.S.A.
		WEIGHT: 940.18	