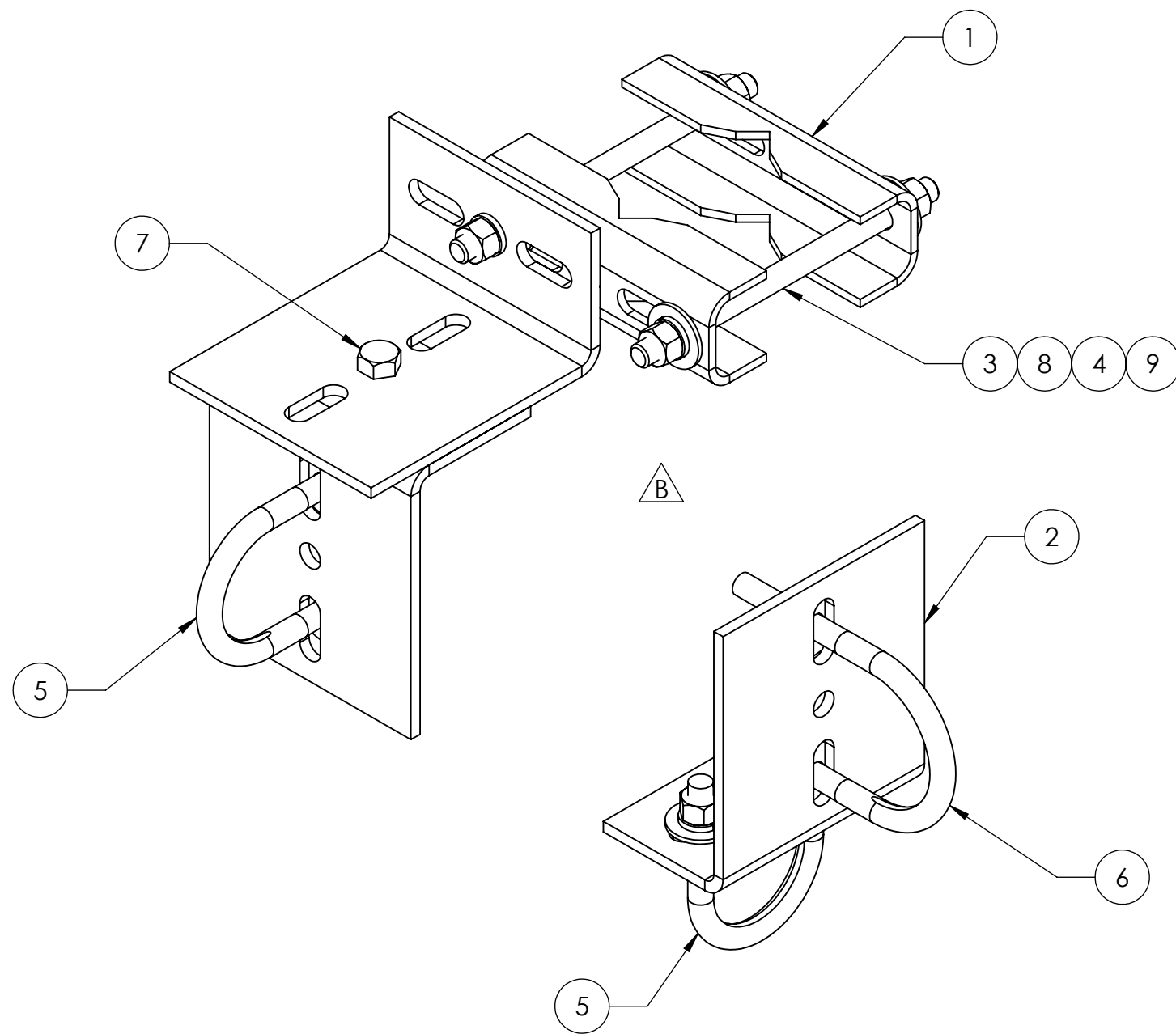


ITEM	PART NO.	DESCRIPTION	QTY.	WEIGHT
1	SAB01	FORMED CLAMP	2	1.35 LBS
2	XAU01	ANGLE, CROSSOVER, 1.9-3.5" X 1.9-3.5" OD	3	3.31 LBS
3	MT-379-8	1/2" X 8" GALV THREADED ROD	2	0.45 LBS
4	GWL-04	1/2" GALV LOCK WASHER	5	0.01 LBS
5	GUB-4240	1/2" X 2-1/2" X 4" GALV U-BOLT	2	0.56 LBS
6	GUB-4352	1/2" X 3" X 5-1/4" GALV U-BOLT	1	0.71 LBS
7	GB-04145	1/2" X 1-1/2" GALV BOLT KIT	1	0.13 LBS
8	GN-04	1/2" GALV HEX NUT	5	0.04 LBS
9	GWF-04	1/2" GALV FLAT WASHER	4	0.03 LBS

REVISIONS				
REV.	ECN	DESCRIPTION	BY	DATE
A		INITIAL RELEASE	MSM	02/15/10
B	8000028616	CHANGED HARDWARE	RDLS	03/13/18



NOTES:
 1. ALL METRIC DIMENSIONS ARE IN BRACKETS.

<small>These drawings and specifications are the proprietary property of ANDREW CORPORATION and may be used only for the specific purpose authorized in writing by Andrew Corporation.</small> ALL DIMENSIONS ARE IN INCHES U.O.S. TOLERANCES UNLESS OTHERWISE SPECIFIED: .X = ± .12 ANGLES ±2° .XX = ± .06 FRACTIONS ±1/32 .XXX = ± .03 REMOVE BURRS AND BREAK EDGES .005 DO NOT SCALE THIS PRINT	DRAWN BY: MSM	SHEET: 1 of 1	PART NUMBER: SA-B278
	CHECKED BY: TP	SCALE: NTS	DESCRIPTION: Stiff Arm Clamp, 2-7/8"OD Mounting Pipe
	DATE: 02/15/10	MATERIAL: A1011/A1018 GR 36	DRAWING TYPE: ASSEMBLY DRAWING
	REVISION: B	FINISH: GALV A123	WEIGHT: 16.47 LBS