

PM-SU2-72



Universal Sliding Pipe Mount Kit for 2-3/8 in OD x 72 in pipe

Product Classification

Product Type Pipe mount

General Specifications

Mounting Angle 60°, 203.2 mm (8 in) | Angle 90°, 152.4 mm (6 in) | Straight or tapered legs up to 203.2 mm (8 in) OD

Note One 96 in x 8 in panel antenna per sector

Pipe, quantity 1

Tower Taper Tapered

Dimensions

Height 1,828.8 mm | 72 in

Width 304.8 mm | 12 in

Length 304.8 mm | 12 in

Pipe Length 1,828.8 mm | 72 in

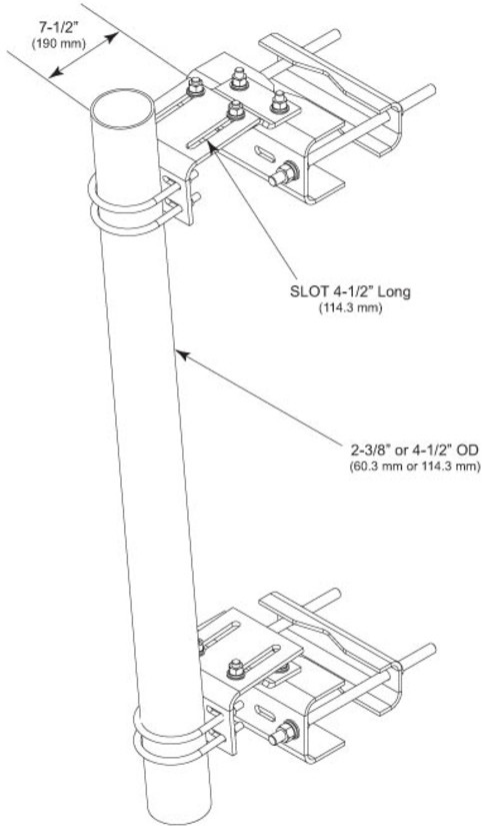
Mounting Diameter, maximum 203.2 mm | 8 in

Mounting Diameter, minimum 0 mm | 0 in

Pipe Outer Diameter 60.96 mm | 2.4 in

PM-SU2-72

Outline Drawing



Material Specifications

Material Type Hot dip galvanized steel

Mechanical Specifications

Wind Rating 120 mph (BWS) at 150 ft AGL

Wind Rating Test Method TIA/EIA-222

Packaging and Weights

Included Pipe | Sliding pipe mount brackets | Universal saddle mount

Packaging quantity 1

PM-SU2-72

Weight, net 45.8 kg | 100.972 lb

Regulatory Compliance/Certifications

Agency

ISO 9001:2015



Classification

Designed, manufactured and/or distributed under this quality management system

Included Products

- | | | |
|----------|---|--|
| MT-651 | - | Plain End Pipe, 2-3/8 in OD x 72 in .120" A500C 46Ksi |
| PM-SL2 | - | Universal Taper Pipe Mount Slider Bracket for 2-3/8 in OD pipe |
| SM-U2080 | - | Universal Saddle Mount for straight or tapered legs up to 8 in OD, 8 in angle 60°, or 6 in angle 90° |

* Footnotes

Wind Rating

BWS—Base Wind Speed; FBC—Florida Building Code