

4

3

2

1

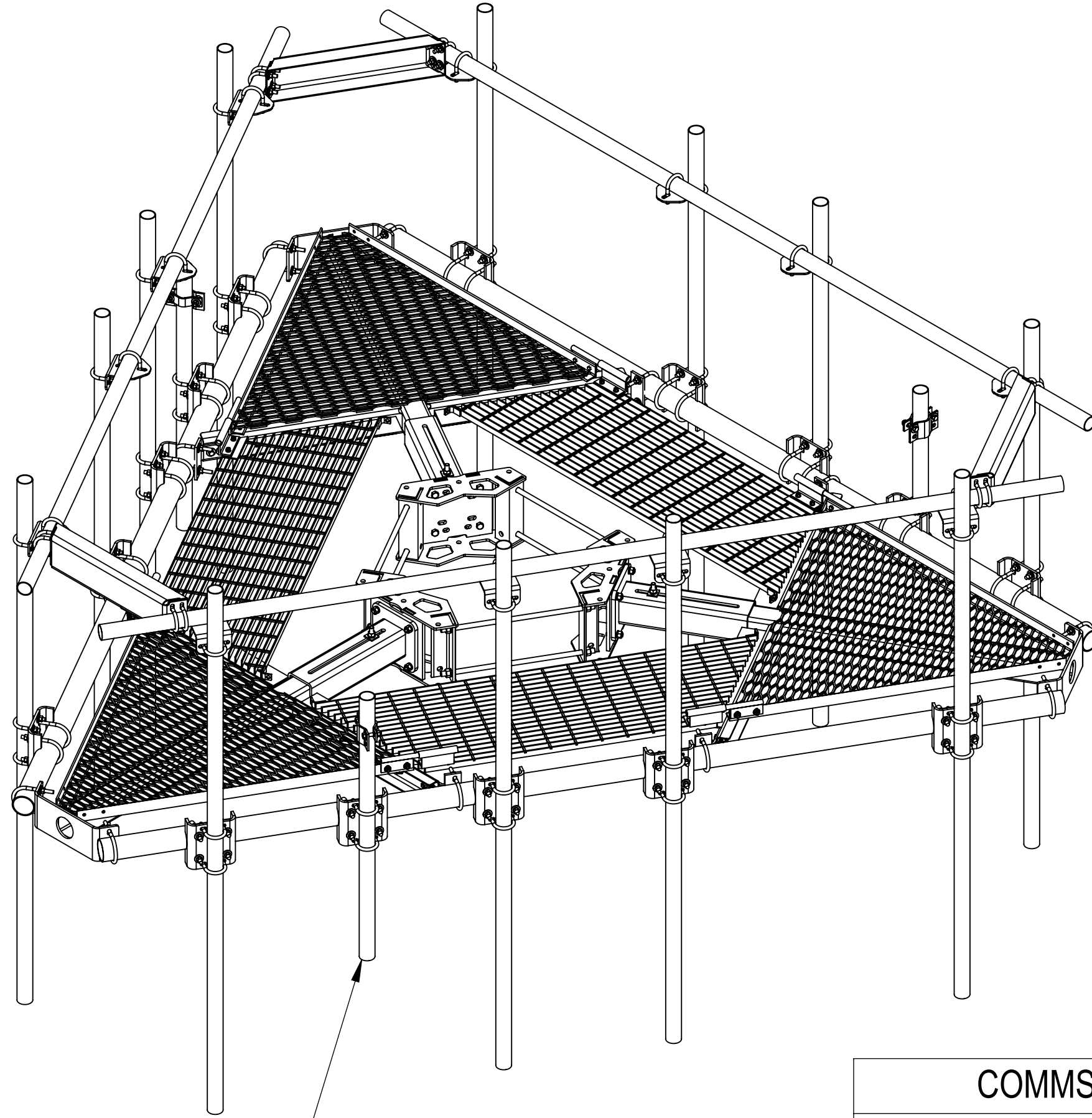
- 1.0 GENERAL NOTES
 - 1.1 ALL METRIC DIMENSIONS ARE IN BRACKETS [X.X]
 - 1.2 FOR PATENT INFO: <https://www.cs-pat.com>

- 2.0 DESIGN NOTES
 - 2.1 ANY HAZARDS OR OBSTRUCTIONS TO THE CLIMBING FACILITY AND SAFETY CLIMB MUST BE IDENTIFIED PRIOR TO INSTALLING THE APPURTENANCE. ADDITIONAL PRODUCTS MAY BE REQUIRED TO MAINTAIN THE INTEGRITY OF THE SAFETY CLIMB. DURING INSTALLATION, TEMPORARY AND/OR PERMANENT PRECAUTIONARY MEASURES SHOULD BE TAKEN TO PRESERVE THE CLIMBING FACILITY AND/OR SAFETY CLIMB.
 - 2.2 FITS MONOPOLES 10"-30" O.D.
 - 2.3 POSITION MOUNT OR ADJUST SAFETY CLIMB CABLE SO NOT TO HINDER OR DAMAGE OR OBSTRUCT THE SAFETY CLIMB. SAFETY CABLE ROUTING BRACKET MAY BE PURCHASED SEPARATELY.

- 3.0 MANUFACTURING/SPECIAL REQUIREMENTS
 - 3.1 TIGHTEN ALL BOLTS SECURING FLAT PLATES BY THE TURN-OF-NUT METHOD. TIGHTEN ALL U-BOLTS USING TURN-OF-NUT METHOD WITH ATTENTION TO LEAVE EQUAL DISTANCE AND EQUAL FORCE ON EACH LEG OF THE U-BOLT.

- 4.0 TEST
- 5.0 PACKAGING
 - 5.1 PACKAGING SHALL MEET COMMSCOPE REQUIREMENTS PER DOCUMENT IS-PL-3005
 - 5.2 PRINTED DOCUMENT TO BE PLACED INSIDE POLYBAG AND THEN IN SHIPPING CONTAINER
 - 5.3 EXTRA HARDWARE MAYBE SUPPLIED, BAGGED AND SHIPPED

| A | | | |
|------|--|-------------------|-----------------------|
| REV. | DESCRIPTION | DATE | APPROVED |
| A | INITIAL RELEASE | ADW 10/12/2015 | 8000010605 |
| B | UPDATED DRAWING TO NEW FORMAT; CORRECTED DRAWING AND BOM PER NEW STRUCTURE | RY1002 13JUL23 | CB1094 40175120CMO |



THREE MT-650 PIPES ARE NOT INCLUDED IN EPA DATA.

| | | | | | | | | | | | |
|---|--------|----------------------------|------------|-----------------|---------------------|--------------|--|---------------|--|-----------------|--|
| COMMSCOPE, INC. OF NORTH CAROLINA | | | | | | | | | | | |
| TOLERANCES | | | | | SAP MATERIAL MASTER | | | | | | |
| 0 PLACE X[X] ± 0.25[6.3] | | 2 PLACE .XX[X] ± 0.06[1.5] | | | MTC3792U | | | | | | |
| 1 PLACE .X[X] ± 0.12[3.0] | | ANGLES ± 2° | | | | | | | | | |
| FINISH | | | | | MATERIAL | | | | | | |
| 10-30 FULL GRATING, CO-LO PLATFORM | | | | | | | | | | | |
| UNLESS OTHERWISE SPECIFIED DIMENSIONS ARE IN INCHES INTERPRET PER ANSI Y 14.5M-1994 | | NAME | DATE | TITLE | | | | | | | |
| CE | ADW | | 10/12/15 | | | | | | | | |
| RW | RY1002 | | 08/16/2023 | | | | | | | | |
| AD | CB1094 | | 08/17/2023 | | | | | | | | |
| RE | RY1002 | | 08/27/2023 | | | | | | | | |
| ECN 40175120CMO | | SCALE | | DOCUMENT NO. | | | | | | | |
| | | 1:18 | | MTC3792U | | | | | | | |
| SIZE | | Auth Group | | INSL | | MODEL | | DRAWING | | SHEET 1 OF 8 | |
| C | | [Symbol] | | [Symbol] | | VERSION | | STATUS | | | |
| | | 00 | | RE | | A | | 00 | | RE | |
| DENSITY | | 2011.04 | | lbs/in³ | | MASS | | 7770.89 | | lbs | |
| VOLUME | | 81113.08 | | in³ | | SURFACE AREA | | 96.0[2438] | | in² | |
| HEIGHT | | 169.5[4304] | | LENGTH | | WIDTH | | 152.4[3871.5] | | | |

4

3

2

1

4

3

2

1

PART NUMBERS, WEIGHTS, & EPA

TABLE 1: CONFIGURATIONS


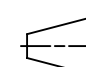
| PART NUMBER | DESCRIPTION | WEIGHT (LBS) | (EPA)A (FT^2)* | | (EPA)A 1/2" ICE THICKNESS (FT^2)* | | INCLUDED PARTS | | | |
|-------------|------------------------------------|--------------|----------------|-------|-----------------------------------|-------|----------------|------------|------------|------------|
| | | | MIN | MAX | MIN | MAX | ANTENNA PIPES | MTC3397UB1 | MTC3792USB | MTC3792UHK |
| MTC3792U | 10-30 FULL GRATING, CO-LO PLATFORM | 2011.0 | 27.95 | 28.37 | 34.36 | 34.89 | 12 | 1 | 1 | 1 |

* (EPA)A DOES NOT INCLUDE ANTENNA PIPES AND MOUNTING HARDWARE. IF DESIRED, ADD ANTENNA PIPE PER TABLE 2

TABLE 2: EPA OF EACH ANTENNA PIPE

| ANTENNA PIPE | (EPA)A (FT^2)* | (EPA)A W/ 1/2" ICE THICKNESS (FT^2)* |
|--------------|----------------|--------------------------------------|
| 2-3/8" X 96" | 1.52 | 2.16 |

NOTE:
 1. ANTENNA PIPES ARE CONSIDERED SEPARATELY.
 2. KA FACTOR OF 3-SECTOR EPA INCLUDED.
 3. COMBINE THE ASSOCIATED EPA VALUES IN THE TABLES ABOVE TO DETERMINE THE EPA OF A MOUNT MODEL WITH A LISTED MOUNT PIPE CONFIGURATION.
 FOR EXAMPLE, THE MAXIMUM OF MTC3792U HAS A 3-SECTOR EPA OF 28.37 FT2 WITH NO ICE PLUS 12 ANTENNA PIPES WITH A 3-SECTOR EPA OF 12X1.52=18.24 FT2 WITH NO ICE.
 SO, THE TOTAL EPA OF 46.61 FT2 FOR THE MAXIMUM OF MTC3792U.

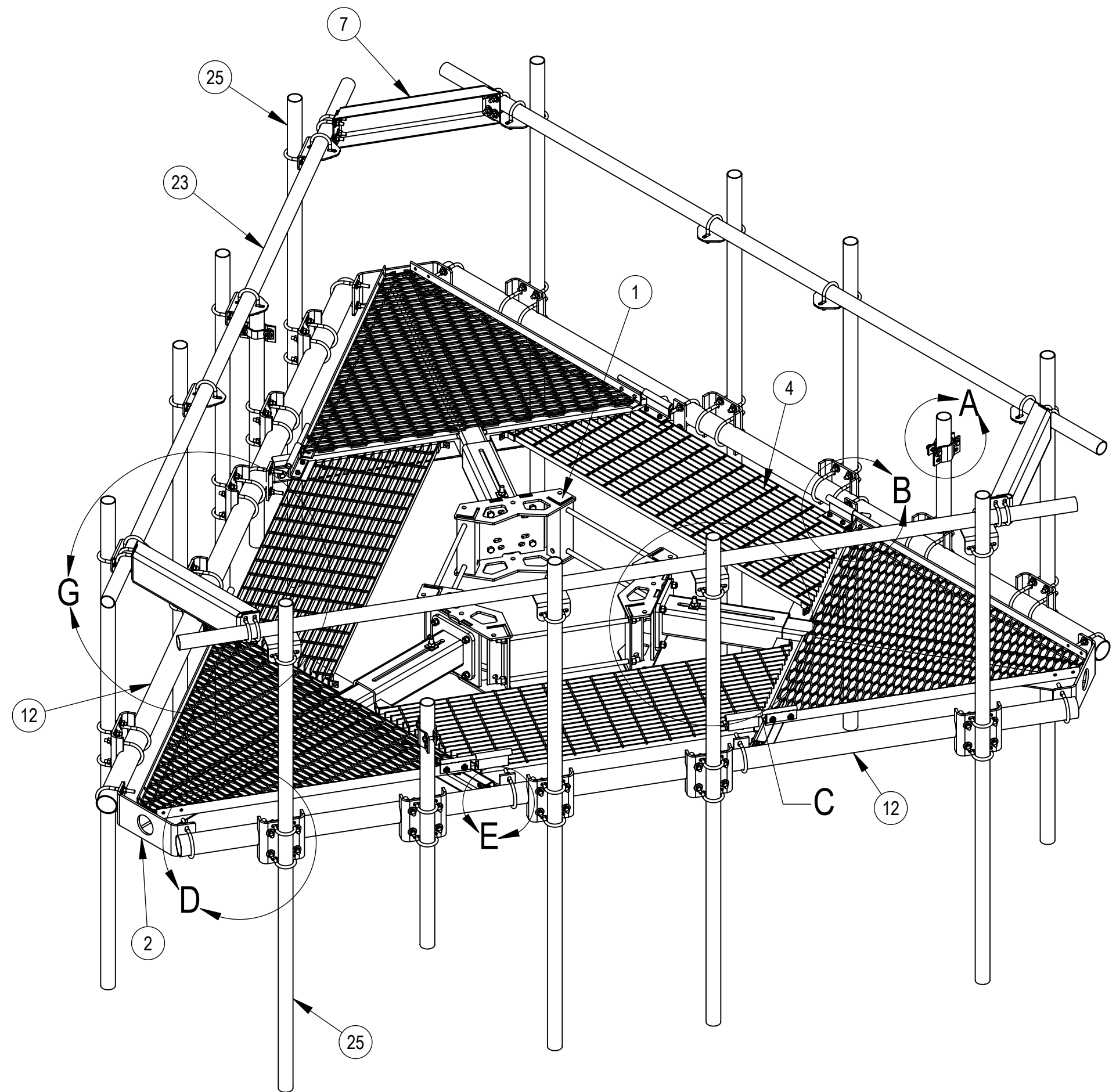
| | | | | |
|---|---------------------|---------------------------------|--------------|-----------------|
| COMMSCOPE, INC. OF NORTH CAROLINA | | | | |
| TITLE 10-30 FULL GRATING, CO-LO PLATFORM | | | | |
| SIZE C | SCALE 1:1 | DOCUMENT NO. MTC3792U | | |
|   | | DRAWING | | SHEET 2 OF 8 |
| | | VERSION 00 | STATUS RE | |

4

3

2

1



COMPONENT PART NUMBERS PROVIDED FOR ASSEMBLY PURPOSES;
INDIVIDUAL COMPONENTS MAY BE SHIPPED AS PARTS WITHIN AN INCLUDED KIT

| ITEM | PART NO. | DESCRIPTION | QTY. | WEIGHT | NOTE NO. |
|------|-------------|---|------|------------|----------|
| 1 | MC-RM1030-3 | Ø 10" - Ø 30" RINGMOUNT | 1 | 151.45 LBS | |
| 2 | MTC3397U01 | PLATFORM TRIANGLE WELDMENT | 3 | 150.90 LBS | |
| 3 | MTC339702 | SLIDER BASE | 3 | 46.28 LBS | |
| 4 | MTC339738 | GRATING DOOR | 3 | 61.76 LBS | |
| 5 | MTC339732 | HINGE WELDMNT | 6 | 2.00 LBS | |
| 6 | MTC339742 | HINGE ANGLE WLDMNT | 6 | 1.87 LBS | |
| 7 | MT19525 | CORNER WELDMENT FOR MT-195 | 3 | 16.89 LBS | |
| 8 | MT21701 | PIPE MOUNT PLATE | 15 | 7.93 LBS | |
| 9 | MT196.17 | MT196 PIPE MOUNT PLATE | 6 | 2.49 LBS | |
| 10 | ACP10 | 1.5" - 3.5" O.D. CLAMP HALF | 3 | 0.61 LBS | |
| 11 | AC-P10D | ANTENNA CLAMP HALF, 1.5"- 3.5" | 3 | 1.22 LBS | |
| 12 | MT21601 | PIPE, 3-1/2"OD X 150" | 3 | 75.85 LBS | |
| 13 | MT389 | WASHER, 1-1/2" X 1 5/8", 11/16" HOLE,SQ | 6 | 0.11 LBS | |
| 14 | GUB-4240 | 1/2" X 2-1/2" X 4" GALV U-BOLT | 42 | 0.56 LBS | |
| 15 | GUB-4356 | 1/2" X 3-5/8" X 6" GALV U-BOLT | 42 | 0.81 LBS | |
| 16 | GB-03105 | 3/8" X 1" GALV BOLT KIT | 24 | 0.05 LBS | |
| 17 | GB-04145 | 1/2" X 1-1/2" GALV BOLT KIT | 12 | 0.13 LBS | |
| 18 | GB-04245 | 1/2" X 2-1/2" GALV BOLT KIT | 6 | 0.18 LBS | |
| 19 | GB-0520A | 5/8" X 2" GALV BOLT KIT (A325) | 12 | 0.26 LBS | |
| 20 | GB-0570A | 5/8" X 7" GALV BOLT KIT A325 | 3 | 0.69 LBS | |
| 21 | GWF-04 | 1/2" GALV FLAT WASHER | 36 | 0.04 LBS | |
| 22 | MT-650 | 2.375" OD X 48" PIPE | 3 | 11.63 LBS | |
| 23 | MT-651-150 | 2.375" OD X 150" PIPE | 3 | 36.34 LBS | |
| 24 | XA-2020 | CROSSOVER ANGLE | 12 | 4.49 LBS | |
| 25 | MT-651-96 | 2.375" OD X 96" PIPE | 12 | 23.05 LBS | |
| 27 | MTC339712 | GRATING MOUNT | 6 | 12.45 LBS | |
| 28 | GB-03125 | 3/8" X 1-1/4" GALV BOLT KIT | 24 | 0.06 LBS | |
| 29 | GWF-03 | 3/8" GALV FLAT WASHER | 36 | 0.01 LBS | |

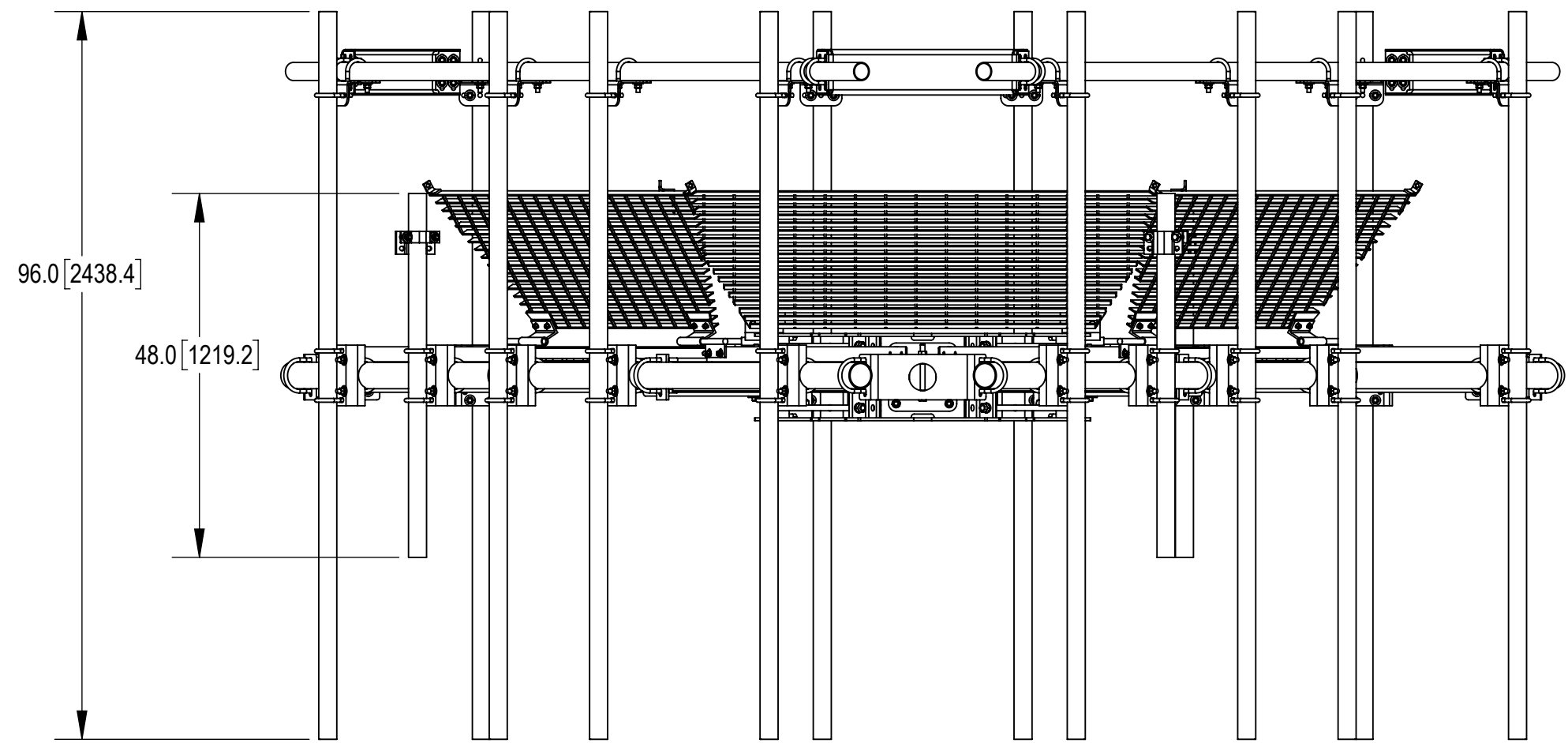
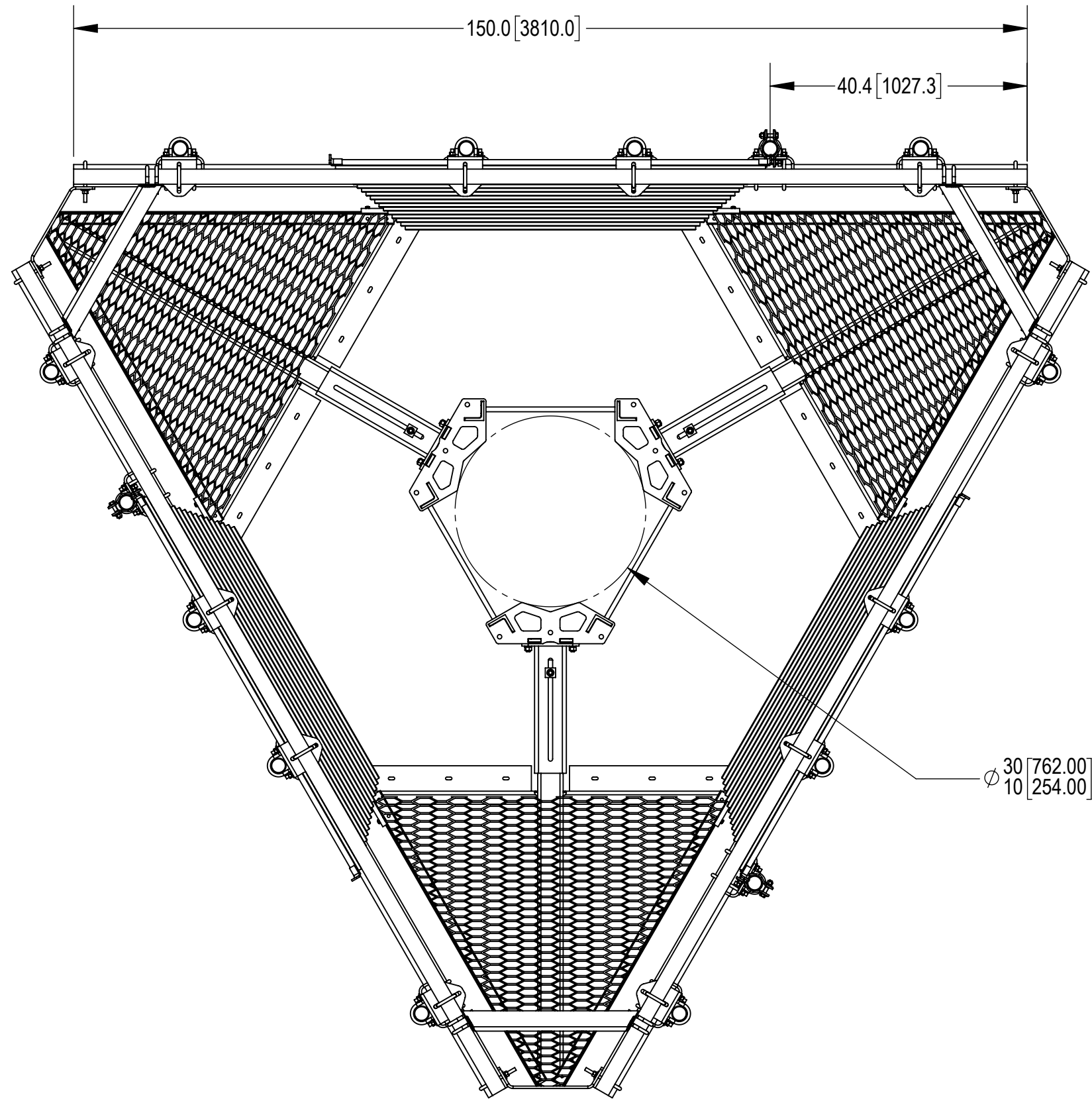
| | | | | |
|---|---------------|--------------------------|--------|-----------------|
| COMMSCOPE, INC. OF NORTH CAROLINA | | | | |
| TITLE 10-30 FULL GRATING, CO-LO PLATFORM | | | | |
| SIZE C | SCALE 1:18 | DOCUMENT NO. MTC3792U | | |
| DRAWING | | VERSION | STATUS | REVISION |
| | | 00 | RE | B |
| | | | | SHEET 3 OF 8 |

4

3

2

1



4

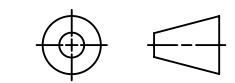
3

2

1

| | | | | |
|---|---------------|--------------------------|--------|----------|
| COMMSCOPE, INC. OF NORTH CAROLINA | | | | |
| TITLE 10-30 FULL GRATING, CO-LO PLATFORM | | | | |
| SIZE C | SCALE 1:20 | DOCUMENT NO. MTC3792U | | |
| | | DRAWING | | SHEET |
| | | VERSION | STATUS | REVISION |
| | | 00 | RE | B |
| | | | | 4 OF 8 |

© 2023 CommScope, Inc. Confidential



4

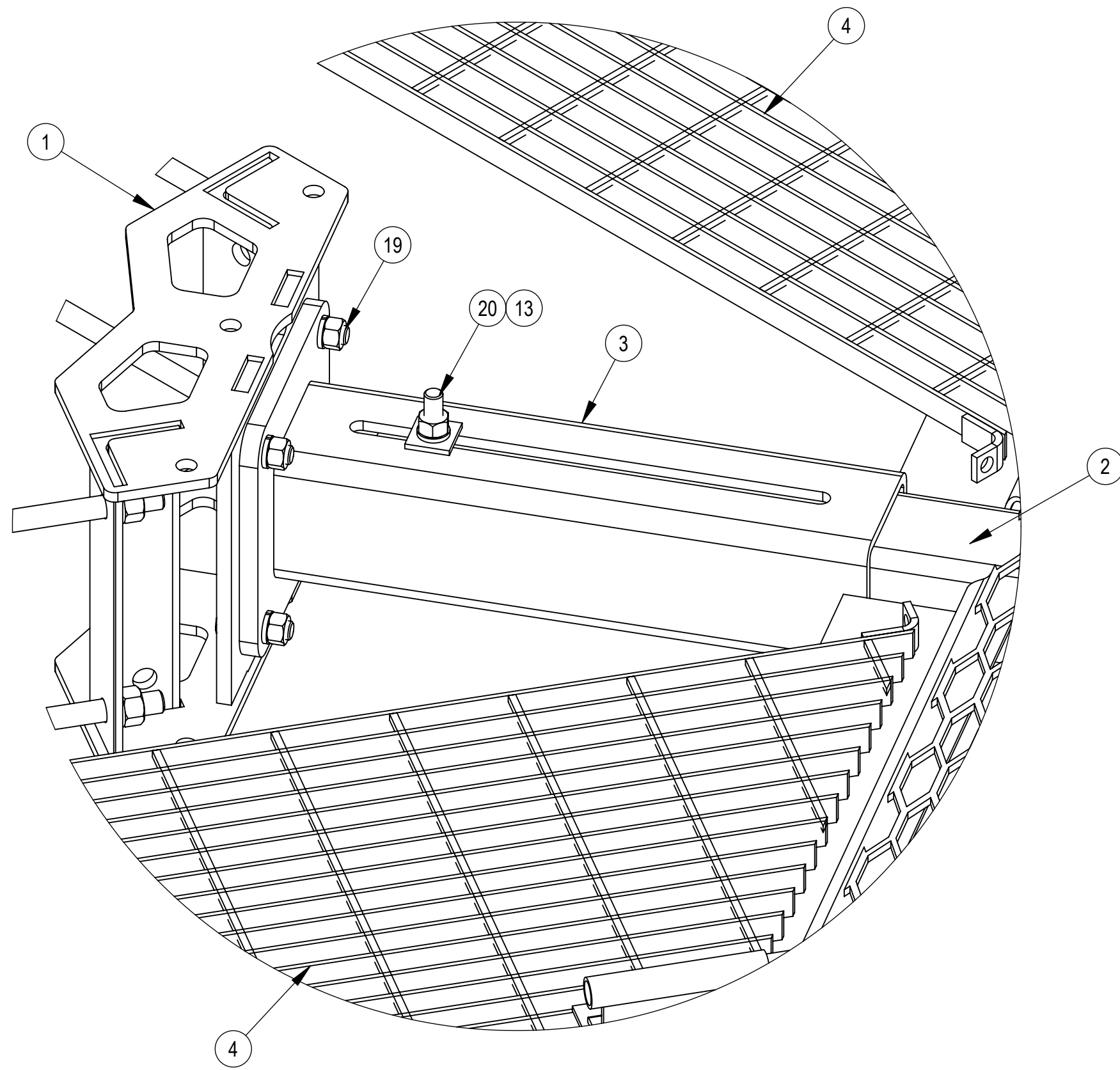
3

2

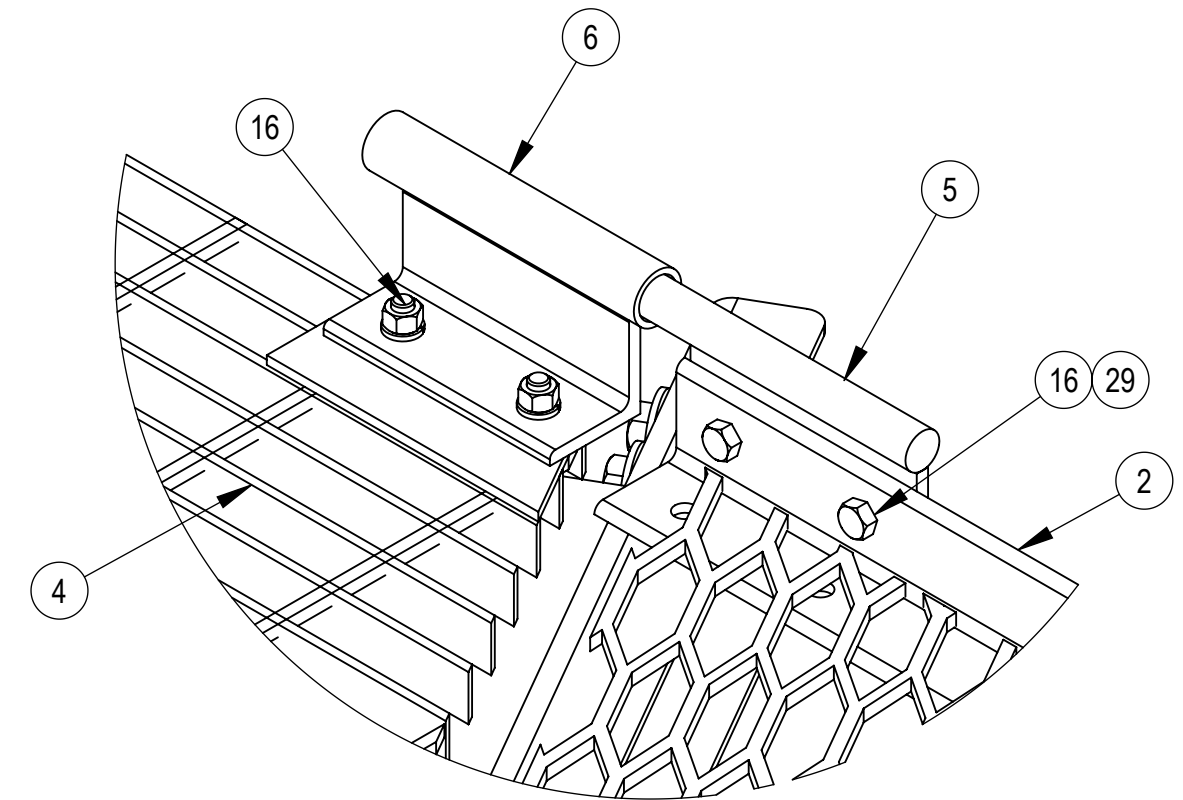
1

NOTES

1.0 SOME PARTS HIDDEN FOR CLARITY



DETAIL C



DETAIL B
SCALE 1 : 3

COMMSCOPE, INC. OF NORTH CAROLINA

TITLE
10-30 FULL GRATING, CO-LO PLATFORM

| | | |
|------------------|---------------------|---------------------------------|
| SIZE C | SCALE 1:4 | DOCUMENT NO. MTC3792U |
|------------------|---------------------|---------------------------------|

| | | | | |
|--|---------------|--------------|---------------|-----------------|
| | DRAWING | | | SHEET 5 OF 8 |
| | VERSION 00 | STATUS RE | REVISION B | |

© 2023 CommScope, Inc. Confidential

4

3

2

1

D

D

C

C

B

B

A

A

4

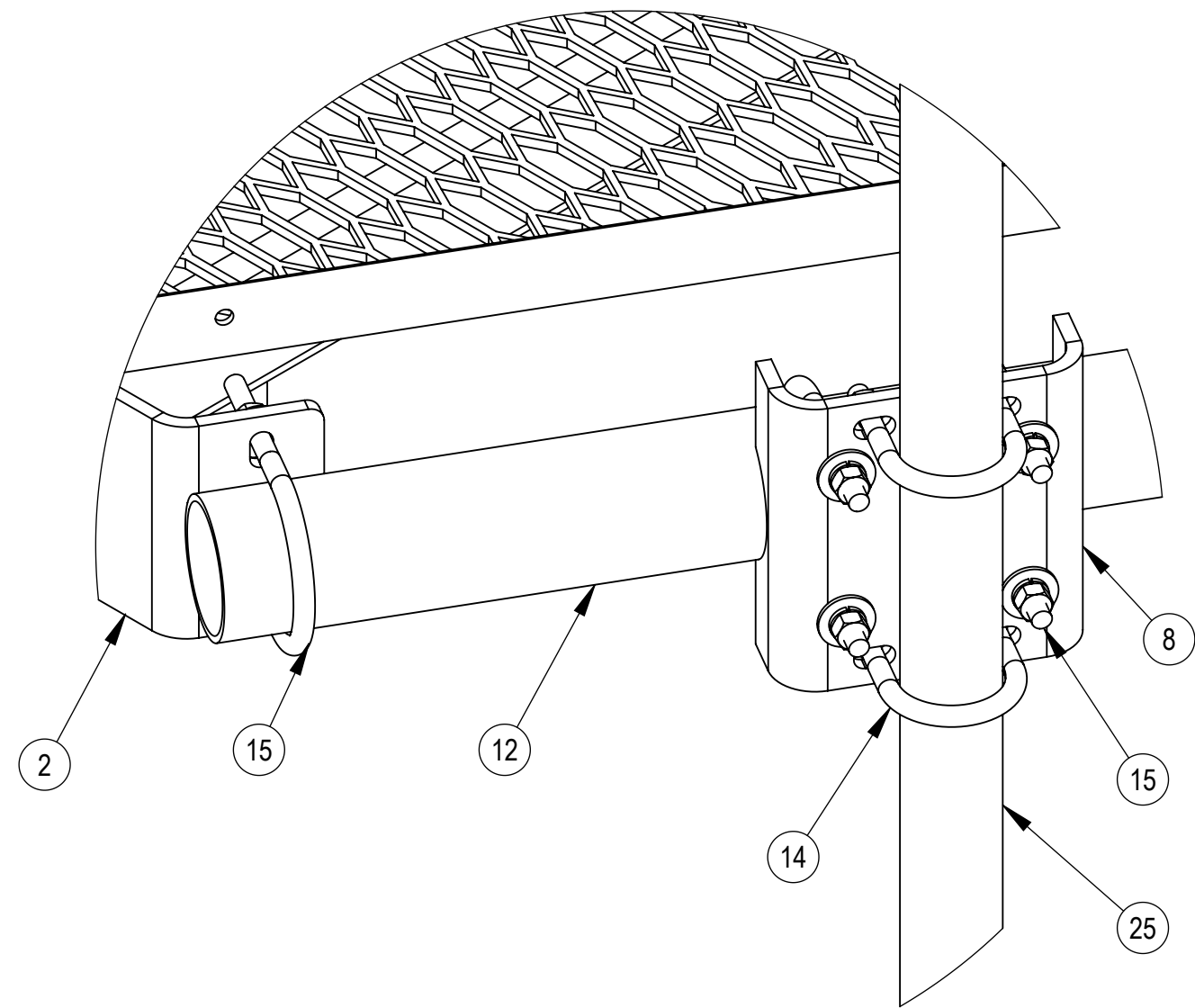
3

2

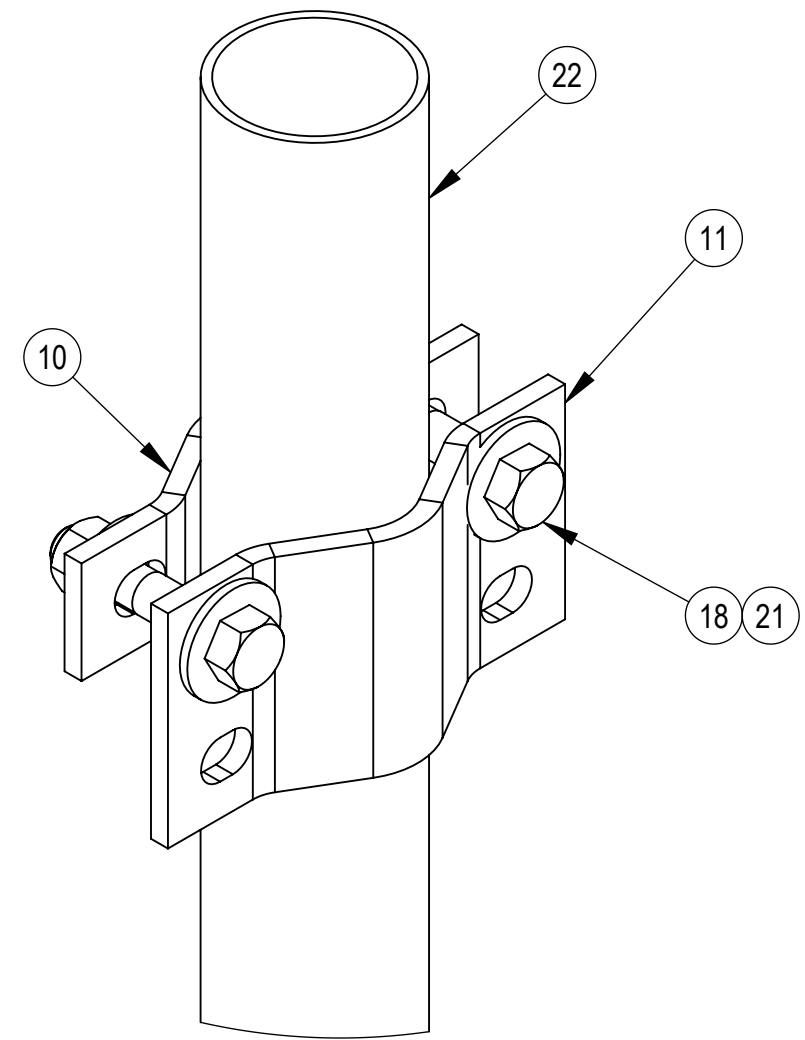
1

NOTES

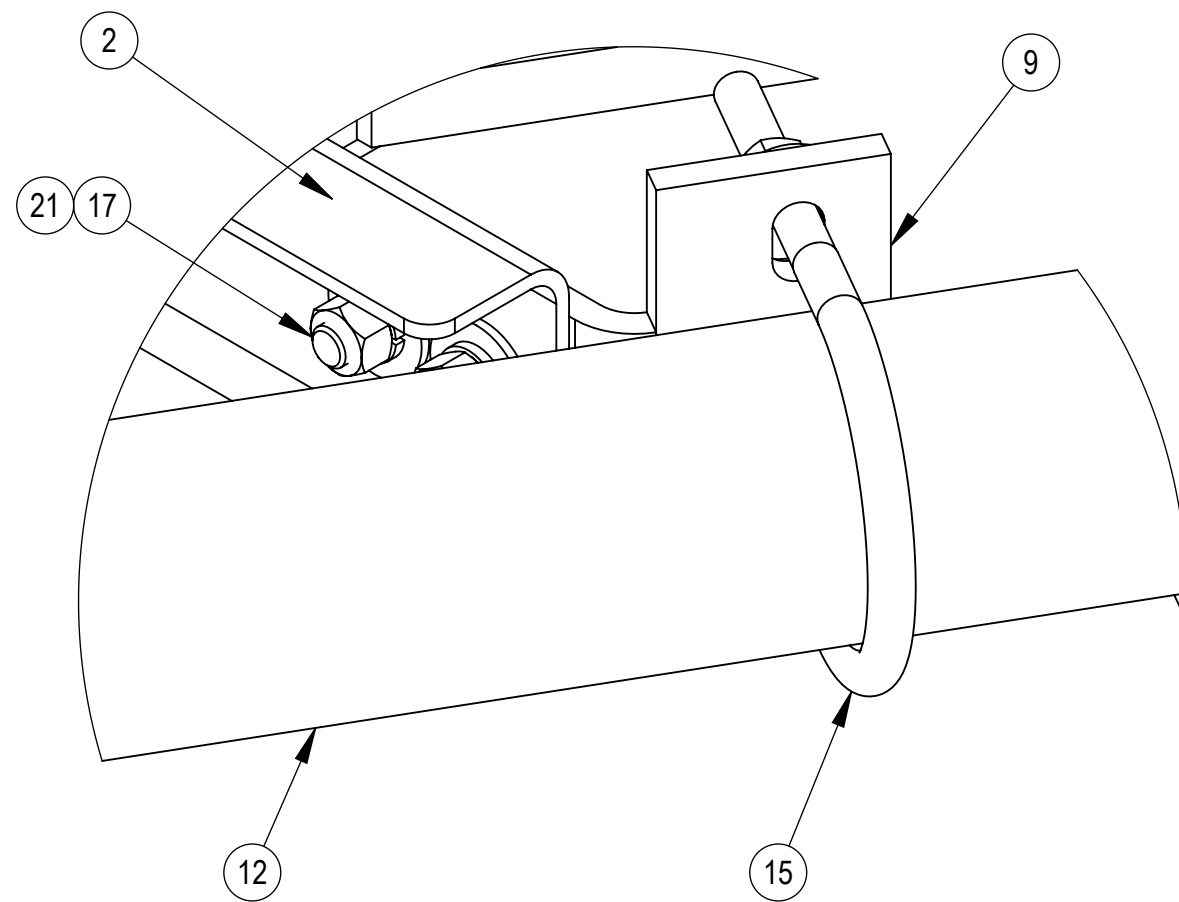
1.0 SOME PARTS HIDDEN FOR CLARITY



DETAIL D
SCALE 1 : 4



DETAIL A
SCALE 1 : 2



DETAIL E
SCALE 1 : 2

| | | | | | |
|---|----------------------|---------------------------------|--------------|---------------|-----------------|
| COMMSCOPE, INC. OF NORTH CAROLINA | | | | | |
| TITLE 10-30 FULL GRATING, CO-LO PLATFORM | | | | | |
| SIZE C | SCALE 1:10 | DOCUMENT NO. MTC3792U | | | |
| | | DRAWING | | | SHEET 6 OF 8 |
| | | VERSION 00 | STATUS RE | REVISION B | |

4

3

2

1

4

3

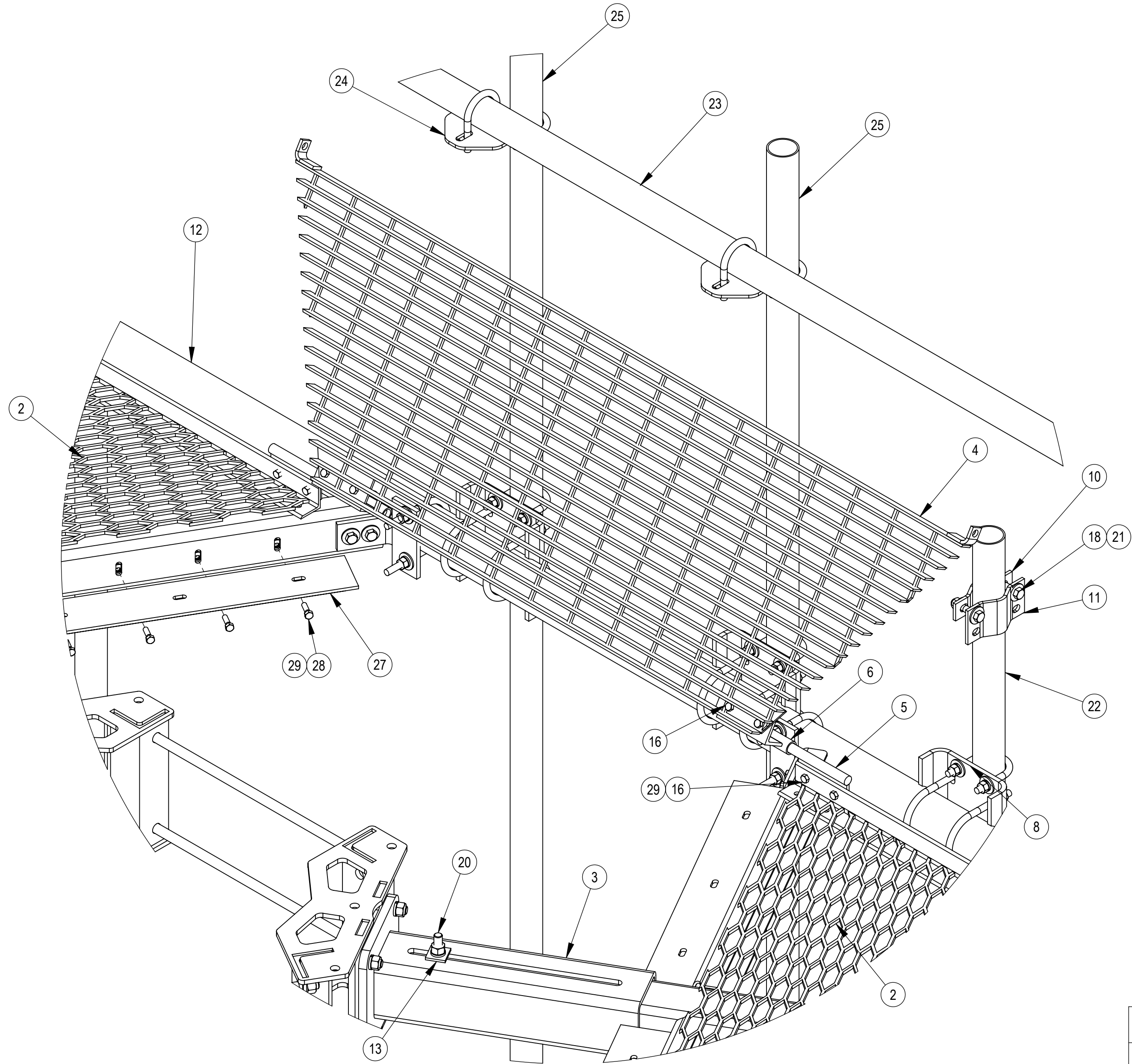
2

1

NOTES

- 1.0 CUSTOMER SUPPLIED LOCKING MECHANISM FOR GRATING WHEN HINGED IN UP POSITION.
- 2.0 ADJUST HEIGHT AS NEEDED FOR ITEMS 1 AND 2 WHEN GRATING HINGED IN UP POSITION.

SHOWN WITH GRATING HINGED UP



DETAIL F
SCALE 1 : 6

| | | | |
|---|---------------|--------------------------|--------|
| COMMSCOPE, INC. OF NORTH CAROLINA | | | |
| TITLE 10-30 FULL GRATING, CO-LO PLATFORM | | | |
| SIZE C | SCALE 1:10 | DOCUMENT NO. MTC3792U | |
| DRAWING | | | SHEET |
| VERSION 00 | STATUS RE | REVISION B | 7 OF 8 |

4

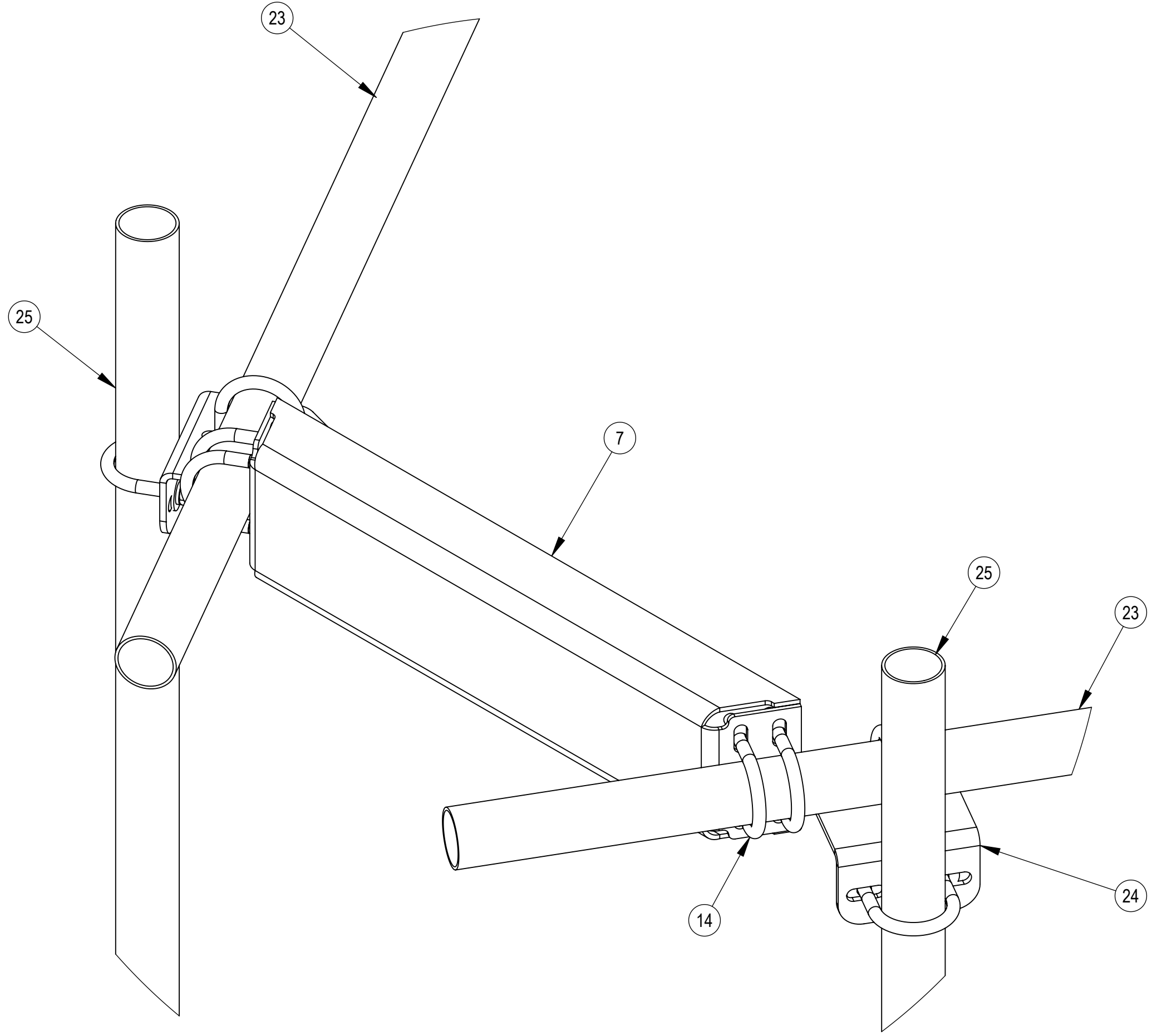
3

2

1

NOTES

1.0 SOME PARTS HIDDEN FOR CLARITY



DETAIL G

| | | | | |
|---|---------------------|---------------------------------|--------------|-----------------|
| COMMScope, INC. OF NORTH CAROLINA | | | | |
| TITLE 10-30 FULL GRATING, CO-LO PLATFORM | | | | |
| SIZE C | SCALE 1:4 | DOCUMENT NO. MTC3792U | | |
| | | DRAWING | | SHEET 8 OF 8 |
| | | VERSION 00 | STATUS RE | |

© 2023 CommScope, Inc. Confidential

4

3

2

1

D

D

C

C

B

B

A

A