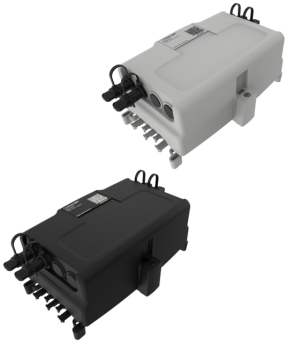


# HSC1

---



## NOVUX™ Hardened Terminal, Prodigy Fiber (HSC1 series), factory-sealed

- NOVUX™ Hardened Multi-fiber Terminals incorporate hardened connector technology that is designed to withstand the rugged outside plant environment
- Hardened connectors are factory-integrated and environmentally sealed for use in optical drop cable deployments
- Plug and play adapter ports ensure rapid cable installment in the outside plant access section of the network
- NOVUX™ smaller terminal size for aesthetics and allowing installation in constrained spaces
- NOVUX™ terminals are available in Black (RAL# 9005) or Gray (RAL# 7035)
- CommScope Product ID plate with QR code link to product documents and C-Track

NOVUX hardened terminals are designed to adapt to your application—sharing connection capabilities, a unique product information system, a mounting platform, and customer configurability. While NOVUX hardened terminals are helping build your network, they're building your long-term profitability, because one terminal works for all your applications in all your deployments.

The built-in mounting tabs and mounting strap features easy, direct mounting onto a strand, flat surface, pole, pedestal, or within a hand hole. Alternatively, to ease installation and maintenance, CommScope's universal mounting bracket can be used in all mounting applications. With one common platform, installation across the series is easy and efficient and is backed by consistent documentation and training. Each NOVUX hardened terminal comes with a QR code that allows field installers to access CommScope's cTrak® app. With one click, cTrak provides a wealth of product information, specifications, installation instructions, videos, schematics, and test results. NOVUX hardened terminals offer an optional customer-configurable ID plate, for ease of network recordkeeping, and clarity for multiple operators that share locations.

## Product Classification

<b>Regional Availability</b>	Asia   Australia/New Zealand   EMEA   Latin America   North America
<b>Product Type</b>	Access terminal, without splitter/tap
<b>Product Brand</b>	NOVUX™
<b>Product Series</b>	HSC1

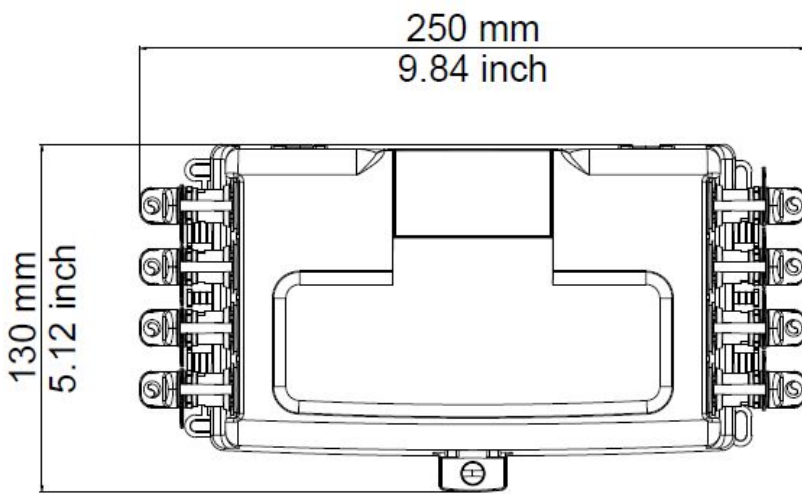
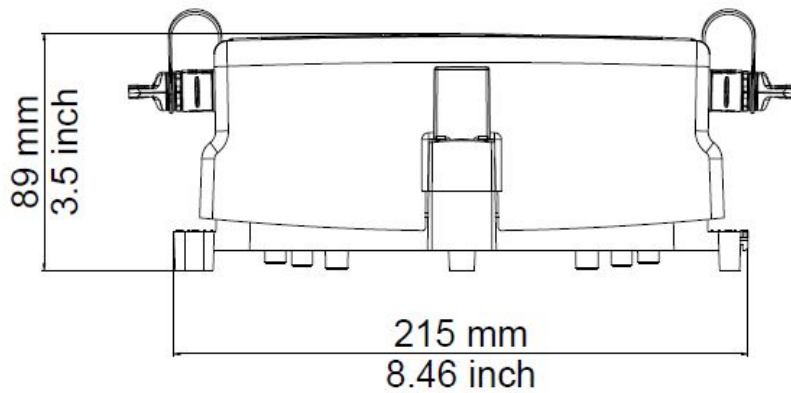
## General Specifications

<b>Distribution Type</b>	4 ports   8 ports
<b>Port Type</b>	Hardened Prodigy SC/APC

## Dimension Drawing

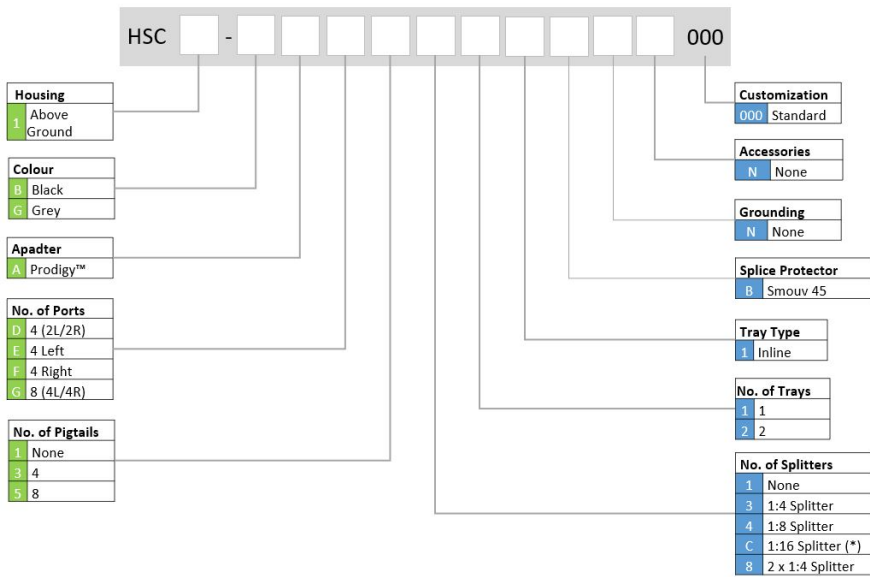
# HSC1

---



## Ordering Tree

# HSC1



(\*) 8 Legs SC/APC, 8 legs unterminated 2 trays

## Regulatory Compliance/Certifications

### Agency

ISO 9001:2015



### Classification

Designed, manufactured and/or distributed under this quality management system