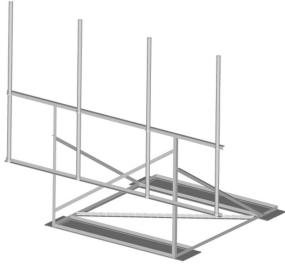


# RF-N7-B

---



Non-Penetrating Roof Frame, 7 ft face, pipe not included

## OBSOLETE

This product was discontinued on: December 12, 2022

### Replaced By:

RF-NL7-B

Non-Penetrating Roof Frame, 7 ft face, pipe not included

## Product Classification

**Product Type** Non-penetrating roof frame

## General Specifications

**Mounting** Non-penetrating

**Note** Four 120 in x 8 in panel antennas per sector

**Pipe, quantity** 0

## Dimensions

**Height** 1905 mm | 75 in

**Face Width** 2.134 m | 7 ft

**Width** 2,133.6 mm | 84 in

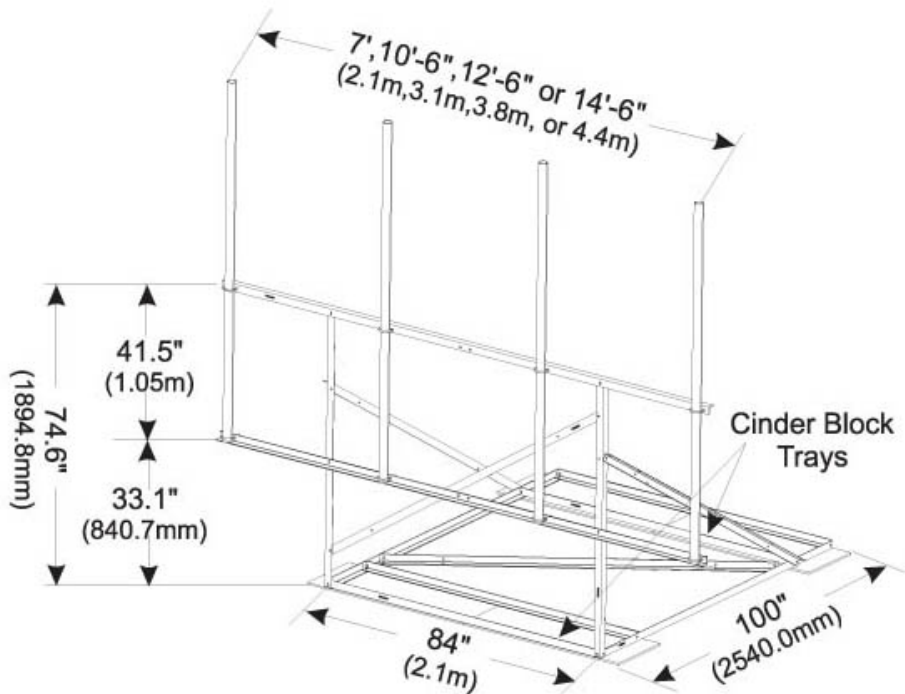
**Length** 2.53 m | 8.3 ft

**Pipe Length** 0 mm | 0 in

**Pipe Outer Diameter** 60.96 mm | 2.4 in

# RF-N7-B

## Outline Drawing



## Material Specifications

**Material Type** Hot dip galvanized steel

## Mechanical Specifications

**Wind Rating** 85 mph (BWS) at 100 ft AGL using Exposure C per UBC

**Wind Rating Test Method** TIA/EIA-222

## Packaging and Weights

**Included** Rubber mats, with or without pipe mounts

**Packaging quantity** 1

**Weight, net** 154.8 kg | 341.275 lb

## Regulatory Compliance/Certifications

Agency	Classification
CHINA-ROHS	Below maximum concentration value

# RF-N7-B

---

ISO 9001:2015	Designed, manufactured and/or distributed under this quality management system
REACH-SVHC	Compliant as per SVHC revision on <a href="http://www.commscope.com/ProductCompliance">www.commscope.com/ProductCompliance</a>
ROHS	Compliant
UK-ROHS	Compliant



## \* Footnotes

### **Wind Rating**

BWS—Base Wind Speed; FBC—Florida Building Code