

SFG23-12-3-96



G23 High Capacity Sector Frame, 12.5 ft face, includes three 96 in pipes;
For patents, see www.cs-pat.com

OBSOLETE

This product was discontinued on: **March 22, 2023**

Replaced By:

SFG23HDX-12-3-120 G23HDX High Capacity Sector Frame, 12.5 ft x 2.88 in OD face pipes, includes three 2.88 OD x 120 in antenna pipes

Product Classification

Product Type High capacity Tower sector frame

General Specifications

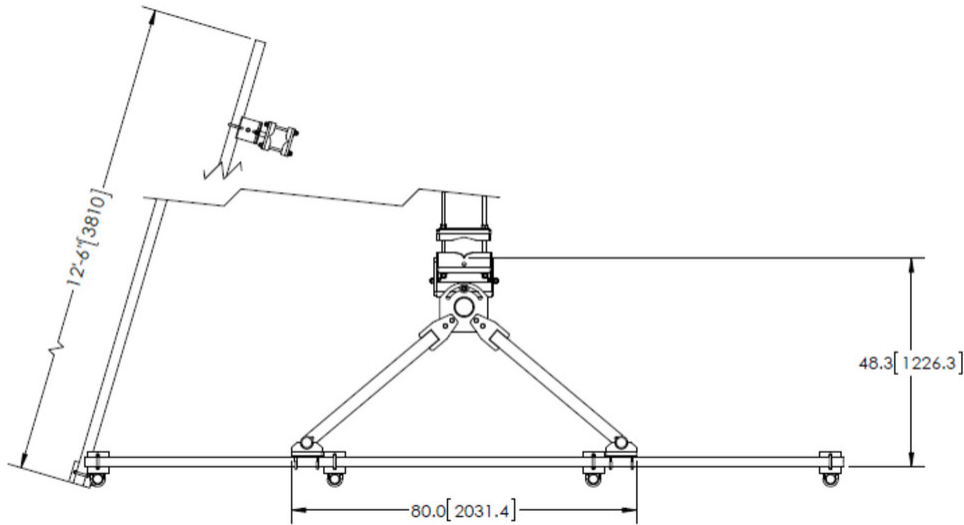
Application 4G LTE antenna/radio mount
Mounting Angle 60°, 203.2 mm (8 in) | Straight or tapered legs up to 203.2 mm (8 in) OD
Patent Number Patent pending
Pipe, quantity 3
Tower Taper Non-tapered | Tapered

Dimensions

Height 2,438.4 mm | 96 in
Face Width 3.81 m | 12.5 ft
Width 3,810 mm | 150 in
Pipe Length 2,438.4 mm | 96 in
Face Support Pipe Diameter 60.325 mm | 2.375 in
Mounting Diameter, maximum 218.44 mm | 8.6 in
Mounting Diameter, minimum 38.1 mm | 1.5 in
Pipe Outer Diameter 60.325 mm | 2.375 in
Stand-off Distance 1,226.82 mm | 48.3 in

SFG23-12-3-96

Outline Drawing



Material Specifications

Material Type Hot dip galvanized steel

Mechanical Specifications

Wind Rating For Specifications, please contact your local ANDREW representative

Wind Rating Test Method TIA/EIA-222-G

Packaging and Weights

Included Frame | Pipe mounts | Plain end pipes (3) | Stiff arm | Tower attachment

Packaging quantity 1

Weight, net 363.781 kg | 802 lb

Regulatory Compliance/Certifications

Agency	Classification
ISO 9001:2015	Designed, manufactured and/or distributed under this quality management system

* Footnotes

Wind Rating BWS—Base Wind Speed; FBC—Florida Building Code