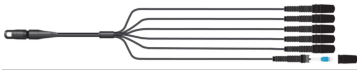


DFJ-12S5N-FDNB



HELIAX® Discrete, outdoor rated, single mode 12 fiber cable assembly, End 1: HMFOC (Plug) and End 2: Uniboot LC, preinstalled Nokia rubber shroud at each branch cable. pre-install protection cap included.

HELIAX® Discrete, outdoor rated, single mode 12 fiber cable assembly, End 1: HMFOC (Plug) and End 2: Uniboot LC, preinstalled Nokia Rubber shroud at each branch cable. Pre-install Protection Cap for every NOKIA Boot, IP65 rating protection. Main cable length: 0.5m; Branch cable length: available for 2m/6m/8m.

Product Classification

Regional Availability	Asia Australia/New Zealand EMEA Latin America North America
Portfolio	CommScope®
Product Type	Wireless Fiber Cable Assemblies
Product Brand	HELIAX®
Product Series	DFT
Ordering Note	CommScope® non-standard product

General Specifications

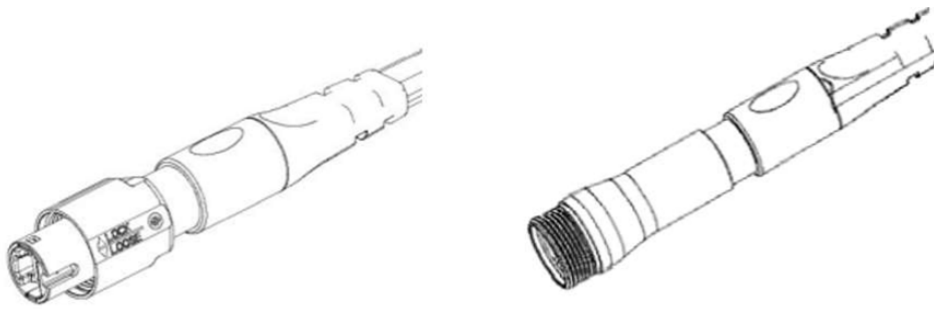
Construction Type	Discrete fiber trunk
Interface, Connector A	HMFOC
Interface Feature, connector A	Uniboot
Interface Body Style, connector A	Straight
Interface, Connector B	LC/UPC
Interface Feature, connector B	Uniboot
Interface Body Style, connector B	Straight
Jacket Color	Black
Jacket Marking	Meters
Pulling Grips, quantity	1
Total Fibers, quantity	12

Dimensions

Cable Assembly Length Range (m)	1 – 100
Diameter Over Jacket	5.4 mm 0.213 in

Outline Drawing

DFJ-12S5N-FDNB



Material Specifications

Jacket Material Low Smoke Zero Halogen (LSZH)

Mechanical Specifications

Minimum Bend Radius, furcation 30 mm | 1.181 in

Minimum Bend Radius, loaded 108 mm | 4.252 in

Minimum Bend Radius, unloaded 54 mm | 2.126 in

Optical Specifications

Fiber Mode Singlemode

Fiber Type G.657.A2/B2

Insertion Loss, typical note Insertion loss is measured at 1310 and 1550 nm

Return Loss, minimum, connector A 0.3 dB

Return Loss, minimum, connector B 0.3 dB

Environmental Specifications

Operating Temperature -40 °C to +75 °C (-40 °F to +167 °F)

Storage Temperature -40 °C to +75 °C (-40 °F to +167 °F)

Environmental Space Indoor/Outdoor

Packaging and Weights

Cable weight 29 kg/km | 19.487 lb/kft

* Footnotes

Insertion Loss, typical note Insertion loss is measured at a room temp of +20°C (+68°F)