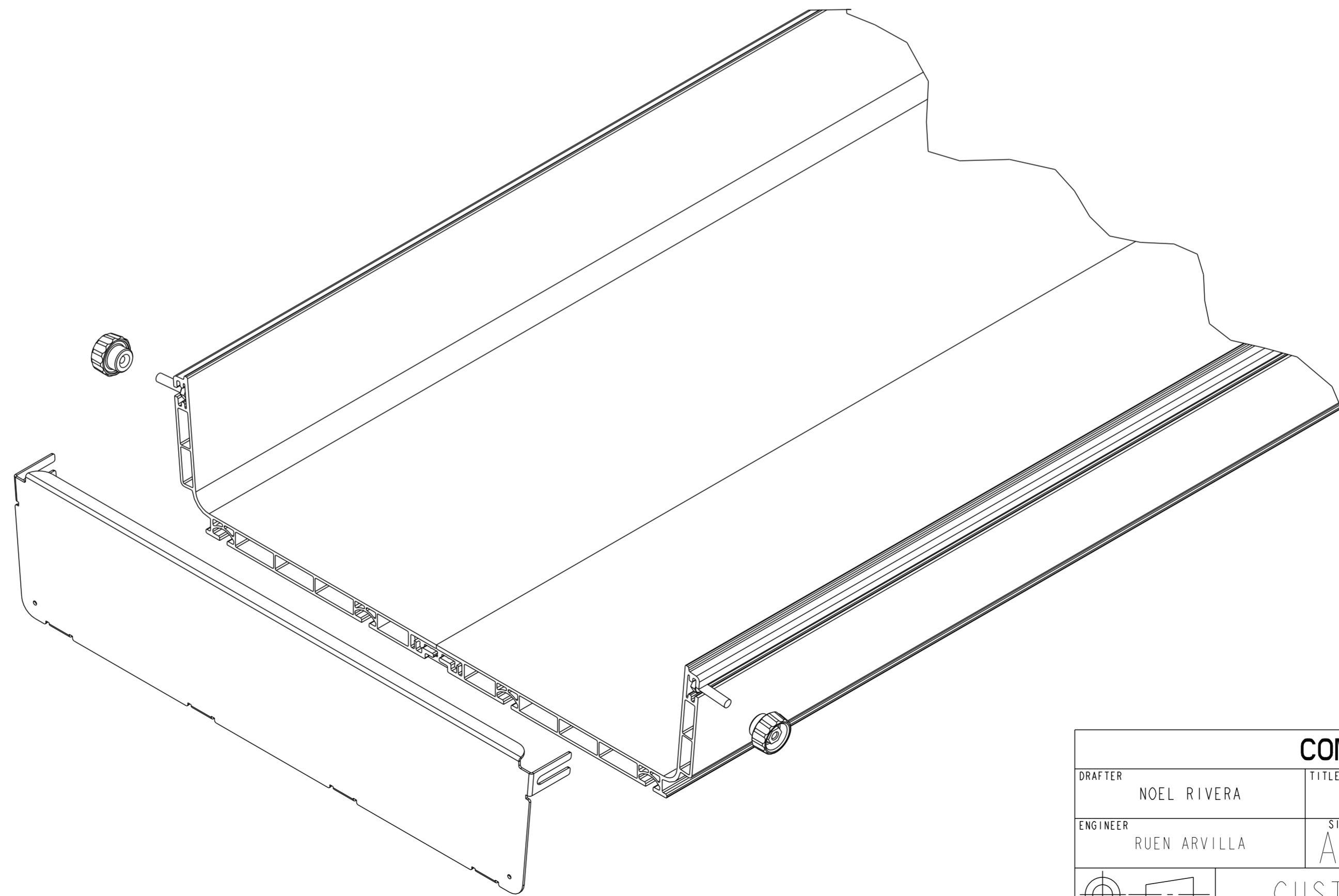
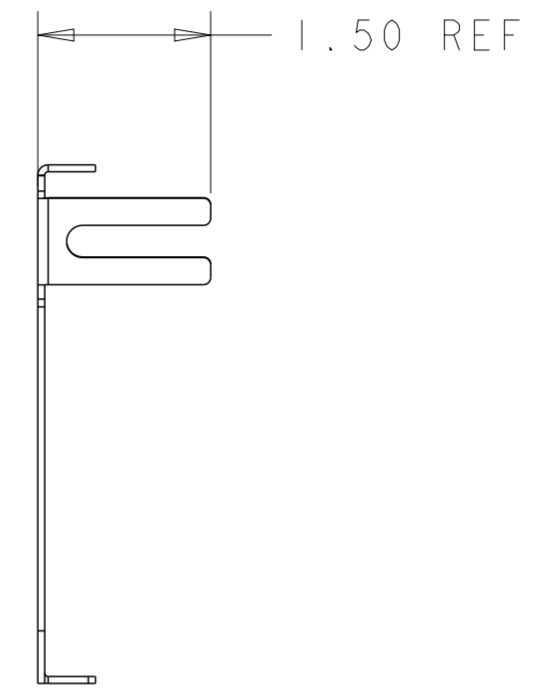
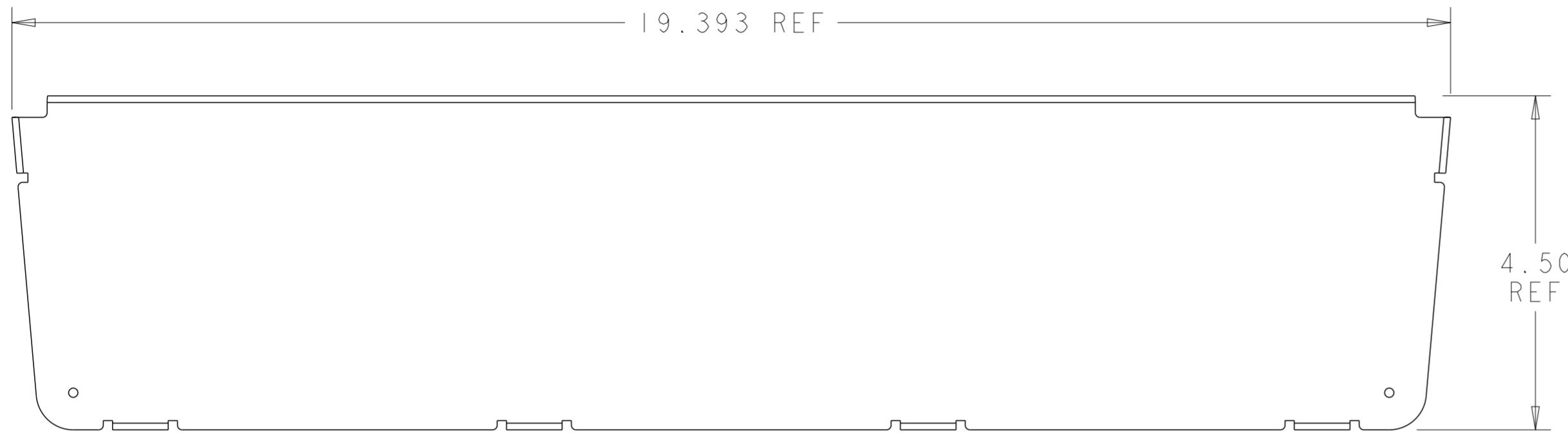
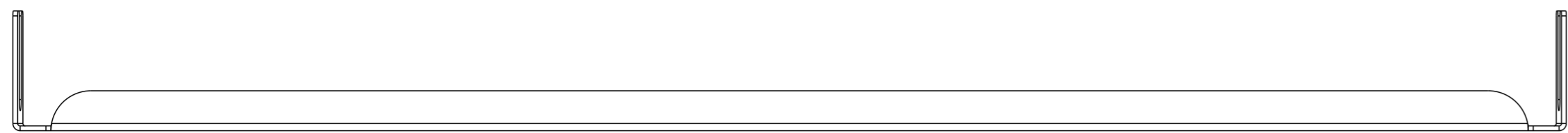


REVISIONS			
REV	CMO	DATE	APPROVED
A	40165896CMO	12-MAY-2023	NRO



LIST OF PARTS IN KIT		
ITEM	DESCRIPTION	QTY
001	END CAP	1
002	QUICK KNOB	2
003	1/4-20 X 1" UNC	2

FGS-HMEC-M	BLACK
CATGALOG NO.	ENCAP

COMMSCOPE, INC.			
DRAFTER NOEL RIVERA	TITLE FGS 18in END CAP INSTALLATION DRAWING		
ENGINEER RUEN ARVILLA	SIZE A2	SCALE 3/80	DOCUMENT NO. 660106006
CUSTOMER DRAWING			REVISION A
			SHEET 1 OF 1