

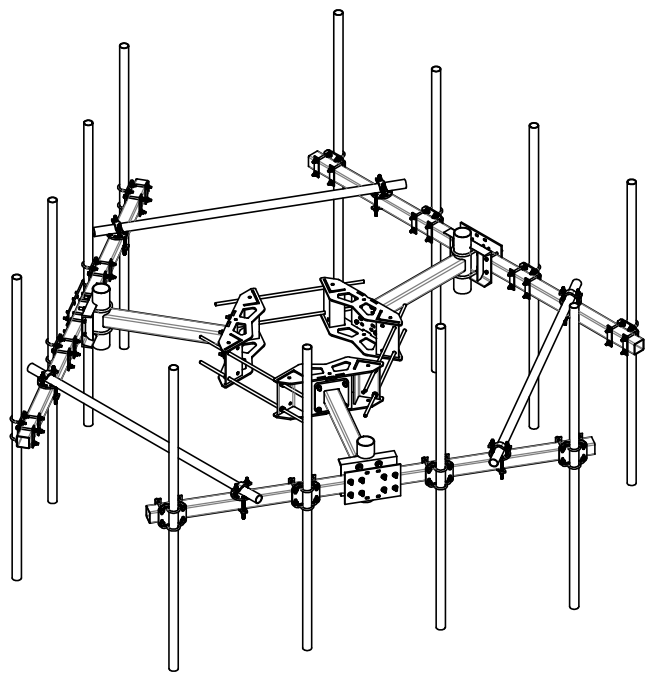
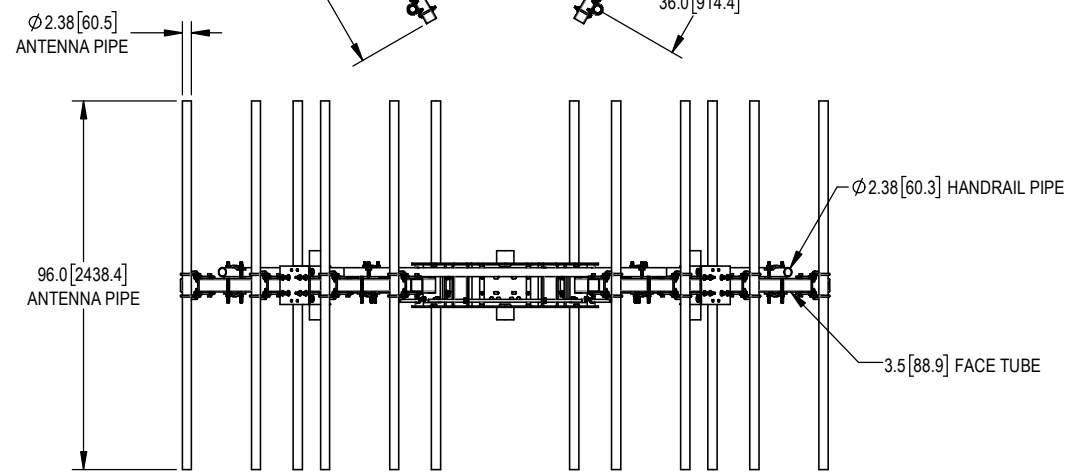
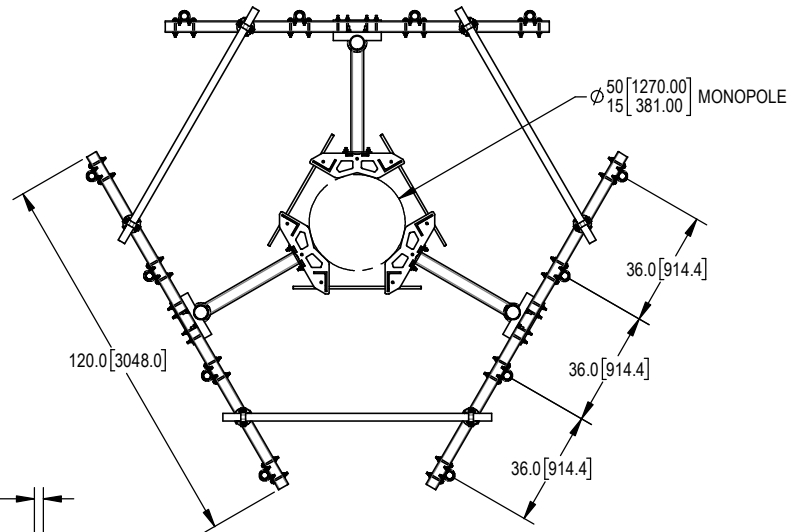
- 1.0 GENERAL NOTES
 1.1 ALL METRIC DIMENSIONS ARE IN BRACKETS [X.X]
 1.2 FOR PATENT INFO: <https://www.cs-pat.com>

- 2.0 DESIGN NOTES
 2.1 ANY HAZARDS OR OBSTRUCTIONS TO THE CLIMBING FACILITY AND SAFETY CLIMB MUST BE IDENTIFIED PRIOR TO INSTALLING THE APPURTENANCE. ADDITIONAL PRODUCTS MAY BE REQUIRED TO MAINTAIN THE INTEGRITY OF THE SAFETY CLIMB. DURING INSTALLATION, TEMPORARY AND/OR PERMANENT PRECAUTIONARY MEASURES SHOULD BE TAKEN TO PRESERVE THE CLIMBING FACILITY AND/OR SAFETY CLIMB.

- 3.0 MANUFACTURING/SPECIAL REQUIREMENTS
 3.1 TIGHTEN ALL BOLTS SECURING FLAT PLATES BY THE TURN-OF-NUT METHOD. TIGHTEN ALL U-BOLTS USING TURN-OF-NUT METHOD WITH ATTENTION TO LEAVE EQUAL DISTANCE AND EQUAL FORCE ON EACH LEG OF THE U-BOLT.

- 4.0 TEST
 5.0 PACKAGING
 5.1 PACKAGING SHALL MEET COMMSCOPE REQUIREMENTS PER DOCUMENT IS-PL-3005
 5.2 PRINTED DOCUMENT TO BE PLACED INSIDE POLYBAG AND THEN IN SHIPPING CONTAINER
 5.3 EXTRA HARDWARE MAYBE SUPPLIED, BAGGED AND SHIPPED

REVISIONS			
REV.	DESCRIPTION	DATE	APPROVED
A	INITIAL RELEASE	LL1090 22AUG23	YW1045 40177754CMO



MONOPOLE ADJUSTABLE PLATFORM
 (SEE TABLE 1 FOR ALL CONFIGURATIONS)

COMMSCOPE, INC. OF NORTH CAROLINA				
TOLERANCES		SAP MATERIAL MASTER		
1 PLACE .X[X] ± 0.2[6.3]	3 PLACE .XXX[X] ± 0.060[1.5]	MC-S10M-12-96		
2 PLACE .XX[X] ± 0.12[3.0]	ANGLES ± 2°			
FINISH		MATERIAL		
UNLESS OTHERWISE SPECIFIED DIMENSIONS ARE IN INCHES INTERPRET PER ANSI Y14.5M-1994	NAME	DATE	TITLE	
	CE LL1090	22AUG23	T-ARM, KIT, SQ-TUBE, 15-50, 12-PIPES, 96"	
	RW ZL1057	08/07/2023		
	AD CB1094	08/07/2023	SCALE	DOCUMENT NO.
	RE YMENG	06/28/2023	1:32	MC-S10M-12-96
ECN 40177754CMO				
SIZE		MODEL		
Auth Group	INSL	VERSION	DRAWING	
		REVISION	REVISION	
		00	AD A 00 IW	
C			SHEET	
			1 OF 3	

DENSITY	1284.58	lbs/in ³
MASS	1284.58	lbs
VOLUME	9182.14	in ³
SURFACE AREA	65436.94	in ²
HEIGHT		
LENGTH		
WIDTH		

PART NUMBERS, WEIGHTS, & EPA

TABLE 1: CONFIGURATIONS

PART NUMBER	DESCRIPTION	WEIGHT (LBS)	(EPA)A (FT^2)*	(EPA)A 1/2" ICE THICKNESS (FT^2)*	ANTENNA PIPES	INCLUDED PARTS				
						MC-RM1550-3	MCS10M-SB01	MCS10M-HK01	XP-2350ST-12	PB0308A0307A
MC-S10M-12-96	T-ARM,KIT,SQ-TUBE,15-50,12-PIPES,96"	1284.58	11.69	14.42	12	1	1	1	1	1

* (EPA)A DOES NOT INCLUDE ANTENNA PIPES AND MOUNTING HARDWARE. IF DESIRED, ADD ANTENNA PIPE PER TABLE 2

TABLE 2: EPA OF EACH ANTENNA PIPE

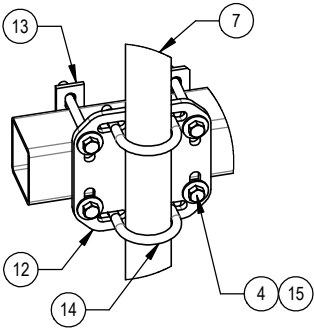
ANTENNA PIPE	(EPA)A (FT^2)	(EPA)A W/ 1/2" ICE THICKNESS (FT^2)
2-3/8" X 96"	1.52	2.16

NOTE:

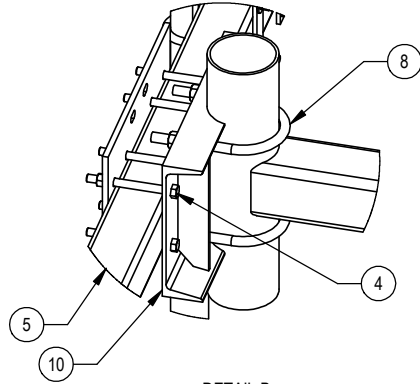
1. ANTENNA PIPES ARE CONSIDERED SEPARATELY.
2. KA FACTOR OF 3-SECTOR EPA INCLUDED.
3. COMBINE THE ASSOCIATED EPA VALUES IN THE TABLES ABOVE TO DETERMINE THE EPA OF A MOUNT MODEL WITH A LISTED MOUNT PIPE CONFIGURATION.
FOR EXAMPLE, MC-S10M-12-96 HAS A 3-SECTOR EPA OF 11.69 FT2 WITH NO ICE PLUS 12 ANTENNA PIPES WITH A 3-SECTOR EPA OF 12X1.52=18.24 FT2 WITH NO ICE. SO, THE TOTAL EPA OF 29.93 FT2 FOR THE MC-S10M-12-96.

COMMSCOPE, INC. OF NORTH CAROLINA				
TITLE T-ARM,KIT,SQ-TUBE,15-50,12-PIPES,96"				
SIZE C	SCALE 1:30	DOCUMENT NO. MC-S10M-12-96		
DRAWING				SHEET
VERSION 00	STATUS IW	REVISION	2 OF 3	

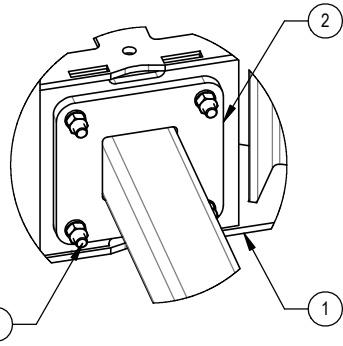




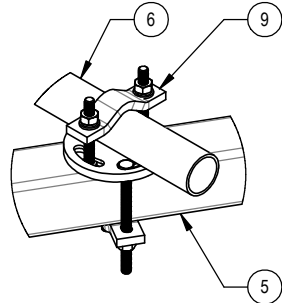
DETAIL A
SCALE 1 : 5



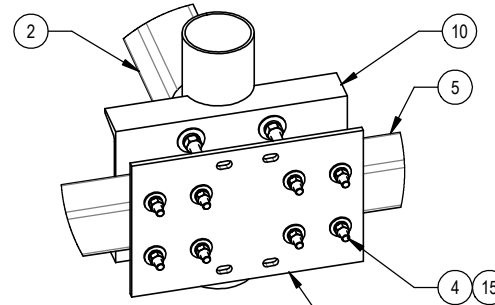
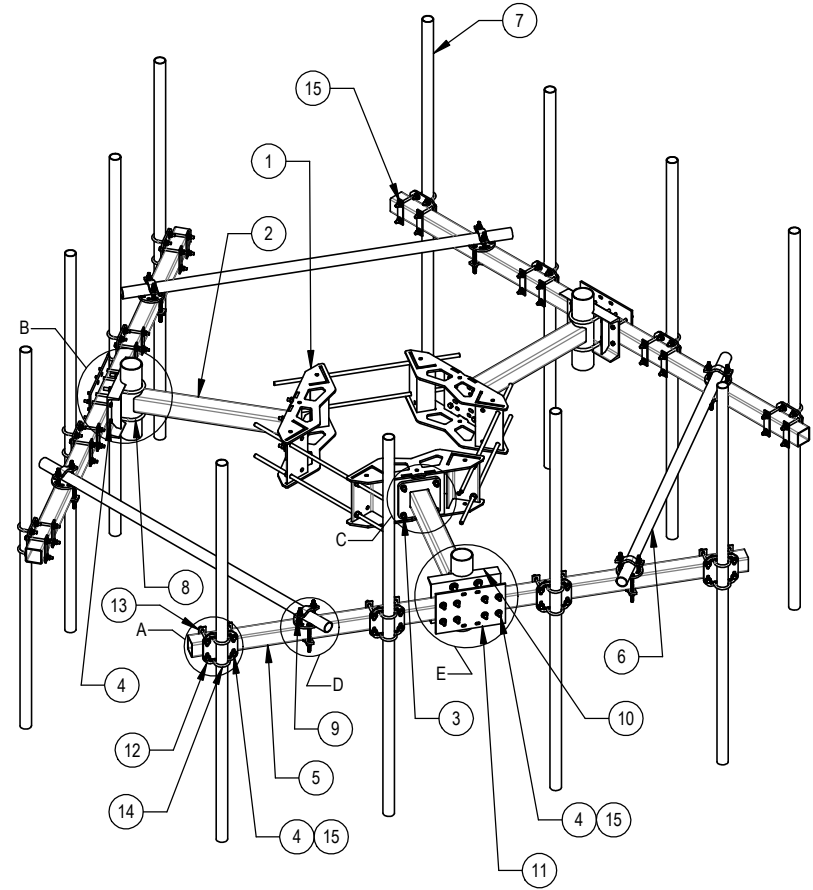
DETAIL B
SCALE 1 : 6



DETAIL C
SCALE 1 : 5



DETAIL D
SCALE 1 : 5



DETAIL E
SCALE 1 : 6

COMPONENT PART NUMBERS PROVIDED FOR ASSEMBLY PURPOSES;
INDIVIDUAL COMPONENTS MAY BE SHIPPED AS PARTS WITHIN AN INCLUDED KIT.

ITEM NO.	PART NUMBER	DESCRIPTION	QTY.	WEIGHT	NOTE NO.
1	MC-RM1550-3	15" - 50" OD RINGMOUNT	1	230.13 LBS	
2	MT19701	36" SINGLE SUPPORT ARM	3	0.00 LBS	
3	GB-0524A	5/8" X 2-1/2" GALV BOLT KIT (A325)	12	0.30 LBS	
4	GB-04545	1/2" X 5-1/2" GALV BOLT KIT	72	0.35 LBS	
5	MCSM-1000-00	SUPPORT TUBE	3	81.36 LBS	
6	MT-651-84	PIPE 2-3/8" OD X 84"	3	25.54 LBS	
7	MT-651-96	2.375" OD X 96" PIPE	12	23.05 LBS	
8	GUB-5458	5/8" X 4-5/8" X 7-1/2" GALV U-BOLT	6	1.61 LBS	
9	XP-R	CROSSOVER PLATE, ROUND, UP TO 3.5" OD	6	6.20 LBS	
10	MT216.02	15" CENTER CHANNEL BRACKET	3	20.03 LBS	
11	MTC9076.01	FRONT PLATE	3	15.43 LBS	
12	XPU01	PLATE, CROSSOVER, 1.9-3.5" X 1.9-3.5" OD	12	4.76 LBS	
13	MTC9076.03	STRAIGHT BAR ADAPTER	24	0.56 LBS	
14	GUB-4240	1/2" X 2-1/2" X 4" GALV U-BOLT	24	0.56 LBS	
15	GW-F-04	1/2" GALV FLAT WASHER	120	0.04 LBS	

COMMSCOPE, INC. OF NORTH CAROLINA			
TITLE T-ARM, KIT, SQ-TUBE, 15-50, 12-PIPES, 96"			
SIZE C	SCALE 1:32	DOCUMENT NO. MC-S10M-12-96	
DRAWING		STATUS	REVISION
		00	IW
			SHEET 3 OF 3