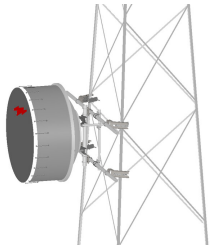


# TF-M2-20

---



Tower Face Mount with dual 20 ft x 2-3/8 in OD face supports, includes pipe

## Product Classification

**Product Type** Tower face mount

## General Specifications

**Mounting** Angle 60°, 203.2 mm (8 in) | Angle 90°, 152.4 mm (6 in) | Straight or tapered legs up to 203.2 mm (8 in) OD

**Note** Effective Projected Area (EPA) calculated using horizontal booms, vertical pipe mount, and mounting brackets.

**Pipe, quantity** 1

**Tower Taper** Non-tapered | Tapered

## Dimensions

**Height** 1,600.2 mm | 63 in

**Face Width** 6.096 m | 20 ft

**Width** 6,096 mm | 240 in

**Length** 304.8 mm | 12 in

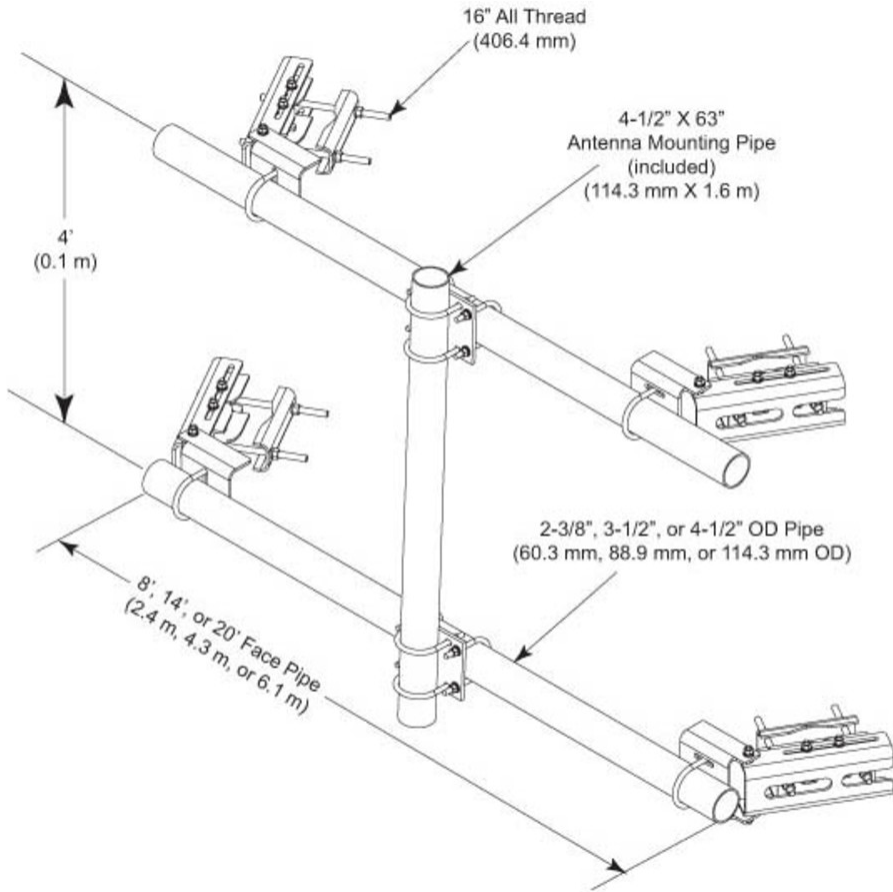
**Pipe Length** 1,600.2 mm | 63 in

**Face Support Pipe Diameter** 114.3 mm | 4.5 in

**Pipe Outer Diameter** 114.3 mm | 4.5 in

# TF-M2-20

## Outline Drawing



## Material Specifications

**Material Type** Hot dip galvanized steel

## Environmental Specifications

**EPA with 1/2 in (12 mm) radial ice** 1.589 m<sup>2</sup> | 17.1 ft<sup>2</sup>

**EPA without ice** 1.143 m<sup>2</sup> | 12.3 ft<sup>2</sup>

## Packaging and Weights

**Included** Crossover plates | Pipes | Saddle mounts

**Packaging quantity** 1

# TF-M2-20

---

**Weight, net**

258.548 kg | 570 lb

## Regulatory Compliance/Certifications

**Agency**

**Classification**

ISO 9001:2015

Designed, manufactured and/or distributed under this quality management system

## Included Products

- MT-537-170 – Plain End Pipe, 2-3/8 in OD x 170 in .120" A500C 46Ksi
- MT-538 – Plain End Pipe, 2-3/8 in OD x 21 ft .120" A500C 46Ksi
- MT-653-63 – Plain End Pipe, 4-1/2 in OD x 63 in x .237" A500C 46Ksi
- XP-2040 – Crossover Plate, joins 2-3/8 in to 4-1/2 in OD round members

## \* Footnotes

**EPA with 1/2 in (12 mm) radial ice** EPA—Effective Projected Area

**EPA without ice** EPA—Effective Projected Area

# MT-537-170

---



Plain End Pipe, 2-3/8 in OD x 170 in .120" A500C 46Ksi

A500 46 ksi steel

## Product Classification

**Product Type** Plain end pipe

## General Specifications

**Pipe, quantity** 1

## Dimensions

**Height** 60.96 mm | 2.4 in

**Width** 60.96 mm | 2.4 in

**Length** 4318 mm | 170 in

**Pipe Length** 4318 mm | 170 in

**Pipe Outer Diameter** 60.96 mm | 2.4 in

## Material Specifications

**Material Type** Hot dip galvanized steel

## Packaging and Weights

**Included** Pipe

**Packaging quantity** 1

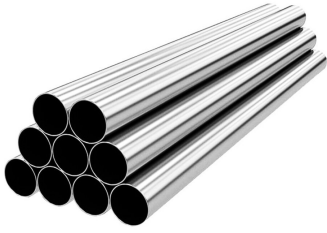
**Weight, net** 23.9 kg | 52.69 lb

## Regulatory Compliance/Certifications

Agency	Classification
ISO 9001:2015	Designed, manufactured and/or distributed under this quality management system

# MT-538

---



Plain End Pipe, 2-3/8 in OD x 21 ft .120" A500C 46Ksi

## Product Classification

**Product Type** Plain end pipe

## General Specifications

**Pipe, quantity** 1

## Dimensions

**Height** 60.96 mm | 2.4 in

**Width** 60.96 mm | 2.4 in

**Length** 6,400.8 mm | 252 in

**Pipe Length** 6,400.8 mm | 252 in

**Pipe Outer Diameter** 60.96 mm | 2.4 in

**Material Thickness** 3.048 mm | 0.12 in

## Material Specifications

**Material Type** A500 | Hot dip galvanized steel

**Material Grade** C

**Material Strength** 46 KSI

## Packaging and Weights

**Included** Pipe

**Packaging quantity** 1

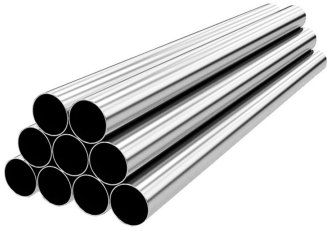
**Weight, net** 27 kg | 59.525 lb

## Regulatory Compliance/Certifications

Agency	Classification
ISO 9001:2015	Designed, manufactured and/or distributed under this quality management system

# MT-653-63

---



Plain End Pipe, 4-1/2 in OD x 63 in x .237" A500C 46Ksi

## Product Classification

**Product Type** Plain end pipe

## General Specifications

**Pipe, quantity** 1

## Dimensions

**Height** 114.3 mm | 4.5 in  
**Width** 114.3 mm | 4.5 in  
**Length** 1,600.2 mm | 63 in  
**Pipe Length** 1,600.2 mm | 63 in  
**Pipe Outer Diameter** 114.3 mm | 4.5 in  
**Material Thickness** 6.02 mm | 0.237 in

## Material Specifications

**Material Type** A500 | Hot dip galvanized steel  
**Material Grade** C  
**Material Strength** 46 KSI

## Packaging and Weights

**Included** Pipe  
**Packaging quantity** 1  
**Weight, net** 25.9 kg | 57.1 lb

## Regulatory Compliance/Certifications

Agency	Classification
ISO 9001:2015	Designed, manufactured and/or distributed under this quality management system

# XP-2040

---



Crossover Plate, joins 2-3/8 in to 4-1/2 in OD round members

## Product Classification

**Product Type** Clamp plate

## General Specifications

**Mounting** Crossover plate

## Dimensions

**Mounting Diameter, maximum** 101.6 mm | 4 in

**Mounting Diameter, minimum** 60.325 mm | 2.375 in

**Material Thickness** 9.525 mm | 0.375 in

## Material Specifications

**Material Type** Hot dip galvanized steel

## Packaging and Weights

**Included** Plates | U-bolts

**Packaging quantity** 1

## Regulatory Compliance/Certifications

Agency	Classification
ISO 9001:2015	Designed, manufactured and/or distributed under this quality management system