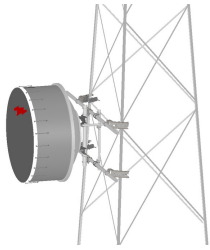


TF-M3-14



Tower Face Mount with dual 14 ft x 3-1/2 in OD face supports, includes pipe

Product Classification

Product Type Tower face mount

General Specifications

Mounting Angle 60°, 203.2 mm (8 in) | Angle 90°, 152.4 mm (6 in) | Straight or tapered legs up to 203.2 mm (8 in) OD

Note Effective Projected Area (EPA) calculated using horizontal booms, vertical pipe mount, and mounting brackets.

Pipe, quantity 1

Tower Taper Non-tapered | Tapered

Dimensions

Height 1,600.2 mm | 63 in

Face Width 4.267 m | 14 ft

Width 4,267.2 mm | 168 in

Length 304.8 mm | 12 in

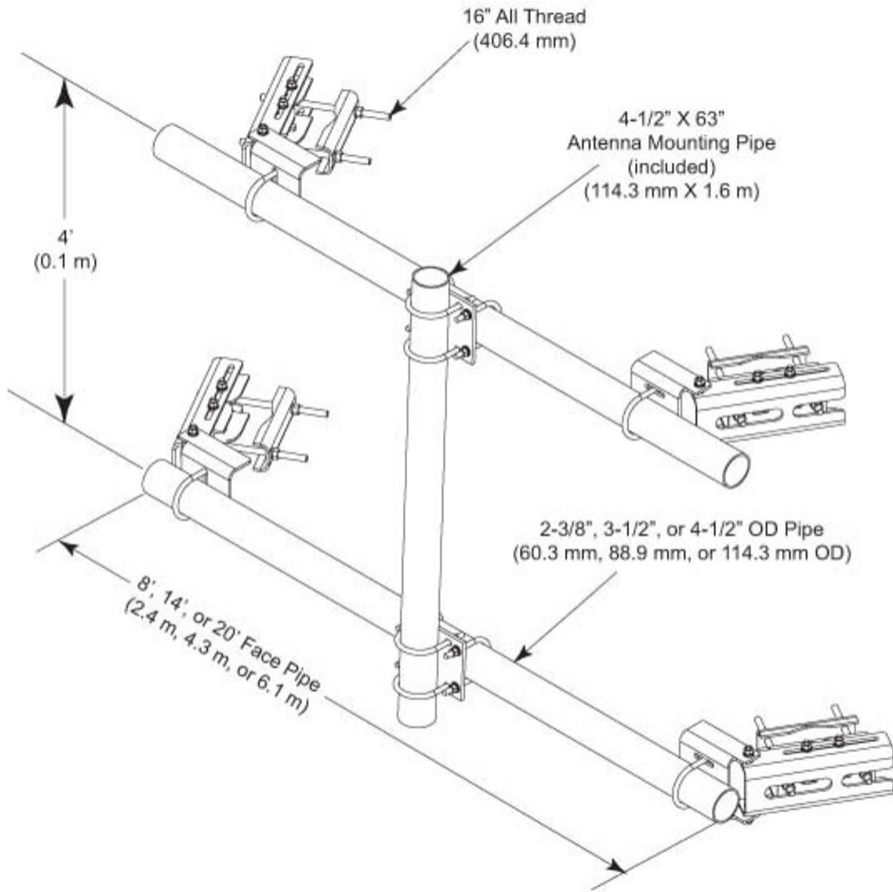
Pipe Length 1,600.2 mm | 63 in

Face Support Pipe Diameter 114.3 mm | 4.5 in

Pipe Outer Diameter 114.3 mm | 4.5 in

TF-M3-14

Outline Drawing



Material Specifications

Material Type Hot dip galvanized steel

Environmental Specifications

EPA with 1/2 in (12 mm) radial ice 1.505 m² | 16.2 ft²

EPA without ice 1.171 m² | 12.6 ft²

Packaging and Weights

Included Crossover plates | Pipes | Saddle mounts

Packaging quantity 1

TF-M3-14

Weight, net

294.835 kg | 650 lb

Regulatory Compliance/Certifications

Agency	Classification
CHINA-ROHS	Above maximum concentration value
ISO 9001:2015	Designed, manufactured and/or distributed under this quality management system
ROHS	Compliant/Exempted
UK-ROHS	Compliant/Exempted



Included Products

- MT-547-174 - Plain End Pipe, 3-1/2 in OD x 174 in x .165" A500C 46Ksi
- MT-653-63 - Plain End Pipe, 4-1/2 in OD x 63 in x .237" A500C 46Ksi
- XP-3040 - Crossover Plate, joins 3-1/2 in to 4-1/2 in OD round members

* Footnotes

- EPA with 1/2 in (12 mm) radial ice** EPA—Effective Projected Area
- EPA without ice** EPA—Effective Projected Area