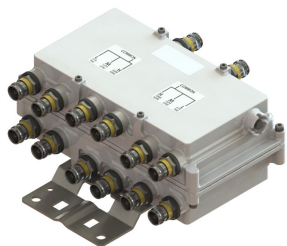


CTX61742Q-DS-43 | E14F11P28



Compact Quad Triplexer 612-960/1695-2700/3300- 4200 MHz, 4.3-10 connectors, DC sense

- New Combining Solution to introduce 5G, 3.5GHz band
- BTS-to-feeder and feeder-to-antenna application
- New 4.3-10 connectors for improved PIM performance and size reduction
- Automatic dc switching with dc sense
- Suitable for space limited applications like Metro Cell, Lamp Pole, Concealment Solution and Macro Site
- Ideal for small cell applications

Product Classification

Product Type Triplexer

General Specifications

Color Gray

Common Port Label COMM

Modularity 4-Quad

Mounting Pole | Wall

Mounting Pipe Hardware Band clamps (2)

RF Connector Interface 4.3-10 Female

RF Connector Interface Body Style Long neck

Dimensions

Height 276 mm | 10.866 in

Width 146.5 mm | 5.768 in

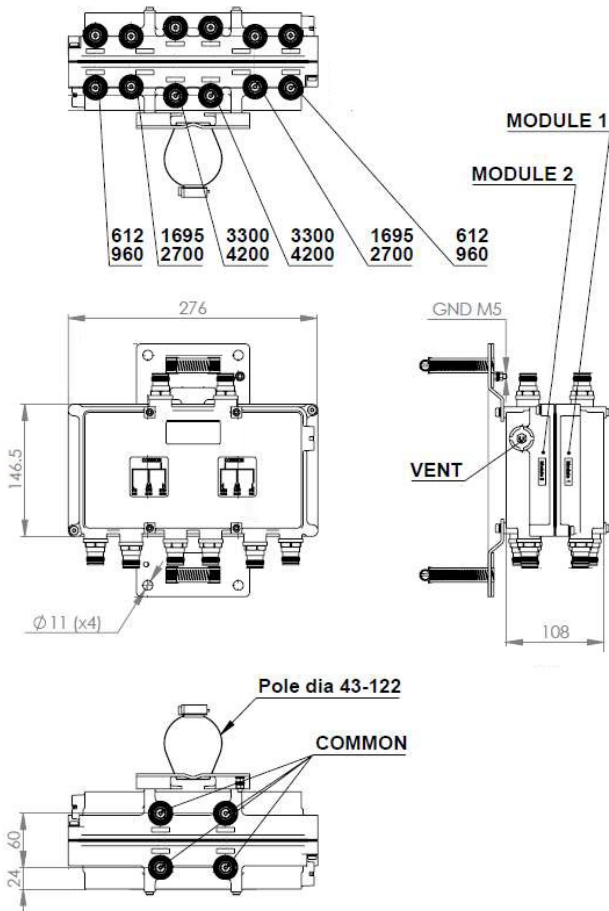
Depth 108 mm | 4.252 in

Ground Screw Diameter 5 mm | 0.197 in

Mounting Pipe Diameter Range 43–122 mm

Outline Drawing

CTX61742Q-DS-43 | E14F11P28



Electrical Specifications

Impedance	50 ohm
License Band, Band Pass	APT 700 AWS 1700 CEL 850 CEL 900 DCS 1800 EDD 800 IMT 2100 IMT 2600 LMR 750 LMR 800 LMR 900 PCS 1900 TDD 3500 USA 600 USA 700 USA 750 WCS 2300

Electrical Specifications, dc Power/Alarm

dc/AISG Pass-through Method	Auto sensing
dc/AISG Pass-through Path	Auto sensing circuitry detects dc/AISG signal presence and selects path
dc/AISG Pass-through, combiner	dc Smart Bypass
dc/AISG Pass-through, demultiplexer	dc Smart Bypass
Lightning Surge Current	5 kA
Lightning Surge Current Waveform	8/20 waveform

CTX61742Q-DS-43 | E14F11P28

Voltage

7–30 Vdc

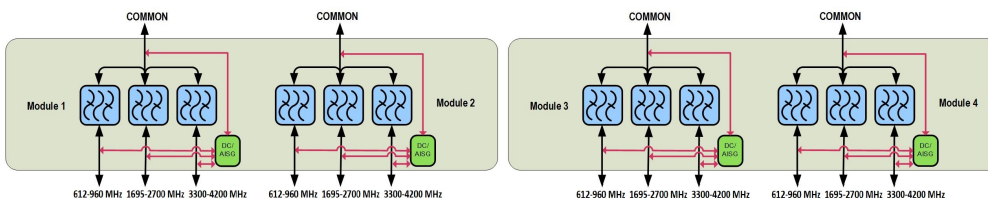
Electrical Specifications

Sub-module	1 2 3 4	1 2 3 4	1 2 3 4
Branch	1	2	3
Port Designation	617-960	1695-2700	3300-4200
License Band	USA 700, Band Pass USA 750, Band Pass USA 600, Band Pass CEL 850, Band Pass CEL 900, Band Pass	PCS 1900, Band Pass WCS 2300, Band Pass AWS 1700, Band Pass TDD 2300, Band Pass TDD 2600, Band Pass DCS 1800, Band Pass IMT 2100, Band Pass IMT 2600, Band Pass	TDD 3500, Band Pass

Electrical Specifications, Band Pass

Frequency Range, MHz	617–960	1695–2700	3300–4200
Insertion Loss, typical, dB	0.15	0.2	0.25
Total Group Delay, maximum, ns	10	10	10
Return Loss, typical, dB	20	20	20
Isolation, minimum, dB	40 @ 1695–2700 50 @ 3300–4200	50 @ 612–960 50 @ 3300–4200	50 @ 612–960 40 @ 1695–2700
Input Power, RMS, maximum, W	140	140	80
Input Power, PEP, maximum, W	1600	1600	1600
3rd Order PIM, maximum, dBc	-161	-161	-155
3rd Order PIM Test Method	2 x 20 W CW tones	2 x 20 W CW tones	2 x 20 W CW tones

Block Diagram



Environmental Specifications

Operating Temperature	-40 °C to +65 °C (-40 °F to +149 °F)
Relative Humidity	Up to 100%
Corrosion Test Method	IEC 60068-2-11, 30 days
Ingress Protection Test Method	IEC 60529:2001, IP67

CTX61742Q-DS-43 | E14F11P28

Packaging and Weights

Included	Mounting hardware
Volume	4.4 L
Weight, with mounting hardware	6.8 kg 14.991 lb
Weight, without mounting hardware	6.3 kg 13.889 lb