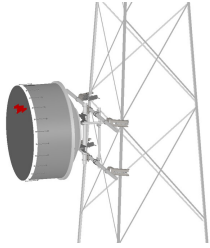


TF-M4-14



Tower Face Mount with dual 14 ft x 4-1/2 in OD face supports, includes pipe

Product Classification

Product Type Tower face mount

General Specifications

Mounting Angle 60°, 203.2 mm (8 in) | Angle 90°, 152.4 mm (6 in) | Straight or tapered legs up to 203.2 mm (8 in) OD

Note Effective Projected Area (EPA) calculated using horizontal booms, vertical pipe mount, and mounting brackets.

Pipe, quantity 1

Tower Taper Non-tapered | Tapered

Dimensions

Height 1,600.2 mm | 63 in

Face Width 4.267 m | 14 ft

Width 4,267.2 mm | 168 in

Length 304.8 mm | 12 in

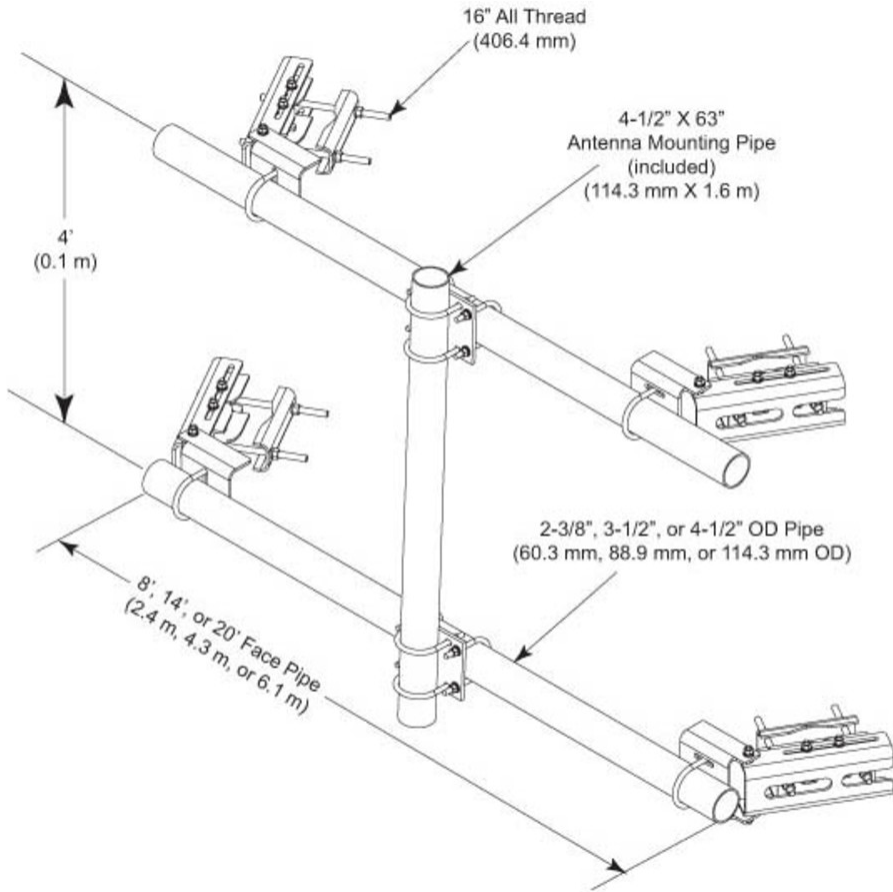
Pipe Length 1,600.2 mm | 63 in

Face Support Pipe Diameter 114.3 mm | 4.5 in

Pipe Outer Diameter 114.3 mm | 4.5 in

TF-M4-14

Outline Drawing



Material Specifications

Material Type Hot dip galvanized steel

Packaging and Weights

Included Crossover plates | Pipes | Saddle mounts

Packaging quantity 1

Weight, net 315.247 kg | 695 lb

Regulatory Compliance/Certifications

Agency	Classification
--------	----------------

TF-M4-14

ISO 9001:2015

Designed, manufactured and/or distributed under this quality management system

Included Products

- MT-653-63 – Plain End Pipe, 4-1/2 in OD x 63 in x .237" A500C 46Ksi
- XP-4040 – Crossover Plate, joins 4-1/2 in to 4-1/2 in OD round members

MT-653-63



Plain End Pipe, 4-1/2 in OD x 63 in x .237" A500C 46Ksi

Product Classification

Product Type Plain end pipe

General Specifications

Pipe, quantity 1

Dimensions

Height 114.3 mm | 4.5 in
Width 114.3 mm | 4.5 in
Length 1,600.2 mm | 63 in
Pipe Length 1,600.2 mm | 63 in
Pipe Outer Diameter 114.3 mm | 4.5 in
Material Thickness 6.02 mm | 0.237 in

Material Specifications

Material Type A500 | Hot dip galvanized steel
Material Grade C
Material Strength 46 KSI

Packaging and Weights

Included Pipe
Packaging quantity 1
Weight, net 25.9 kg | 57.1 lb

Regulatory Compliance/Certifications

Agency	Classification
ISO 9001:2015	Designed, manufactured and/or distributed under this quality management system

XP-4040



Crossover Plate, joins 4-1/2 in to 4-1/2 in OD round members

Product Classification

Product Type Clamp plate

General Specifications

Mounting Crossover plate

Dimensions

Mounting Diameter, maximum 114.3 mm | 4.5 in

Mounting Diameter, minimum 114.3 mm | 4.5 in

Material Thickness 9.525 mm | 0.375 in

Material Specifications

Material Type Hot dip galvanized steel

Packaging and Weights

Included Plates | U-bolts

Packaging quantity 1

Regulatory Compliance/Certifications

Agency	Classification
CHINA-ROHS	Below maximum concentration value
ISO 9001:2015	Designed, manufactured and/or distributed under this quality management system
REACH-SVHC	Compliant as per SVHC revision on www.andrew.com/ProductCompliance
ROHS	Compliant
UK-ROHS	Compliant

