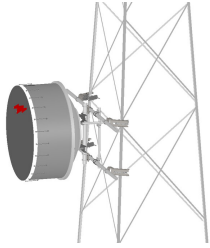


TF-M4-8



Tower Face Mount with dual 8 ft x 4-1/2 in OD face supports; includes pipe

Product Classification

Product Type Tower face mount

General Specifications

Mounting Angle 60°, 203.2 mm (8 in) | Angle 90°, 152.4 mm (6 in) | Straight or tapered legs up to 203.2 mm (8 in) OD

Note Effective Projected Area (EPA) calculated using horizontal booms, vertical pipe mount, and mounting brackets.

Pipe, quantity 1

Tower Taper Non-tapered | Tapered

Dimensions

Height 1,600.2 mm | 63 in

Face Width 2,438 mm | 8 ft

Width 2,438.4 mm | 96 in

Length 304.8 mm | 12 in

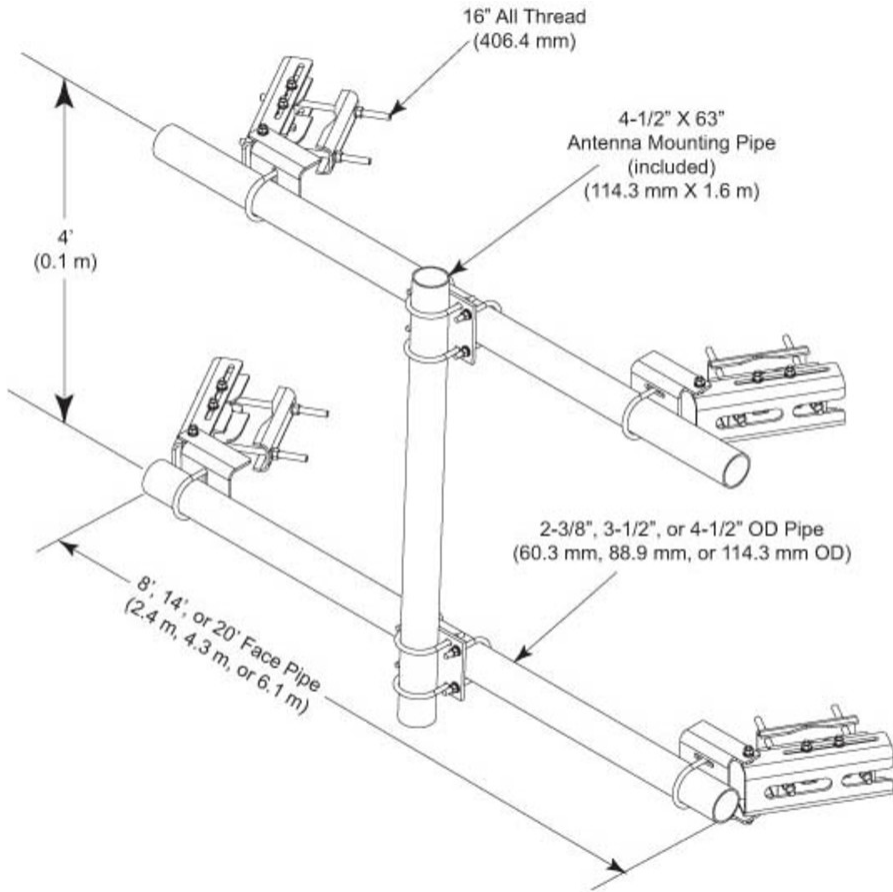
Pipe Length 1,600.2 mm | 63 in

Face Support Pipe Diameter 114.3 mm | 4.5 in

Pipe Outer Diameter 114.3 mm | 4.5 in

TF-M4-8

Outline Drawing



Material Specifications

Material Type Hot dip galvanized steel

Packaging and Weights

Included Crossover plates | Pipes | Saddle mounts

Packaging quantity 1

Weight, net 276.691 kg | 610 lb

Regulatory Compliance/Certifications

Agency	Classification
--------	----------------

TF-M4-8

ISO 9001:2015

Designed, manufactured and/or distributed under this quality management system

Included Products

- MT-653-63 – Plain End Pipe, 4-1/2 in OD x 63 in x .237" A500C 46Ksi
- MT-654-96 – Plain End Pipe, 4-1/2 in OD x 96 in x .188" A500C 46Ksi
- XP-4040 – Crossover Plate, joins 4-1/2 in to 4-1/2 in OD round members