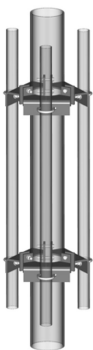


TP-MSC



Multi-Sector Cluster Mount, 4"-6" OD

Product Classification

Product Type Tripod mount component

General Specifications

Mounting Round member, 101.6–152.4 mm (4–6 in) OD

Dimensions

Height 101.6 mm | 4 in

Width 330.2 mm | 13 in

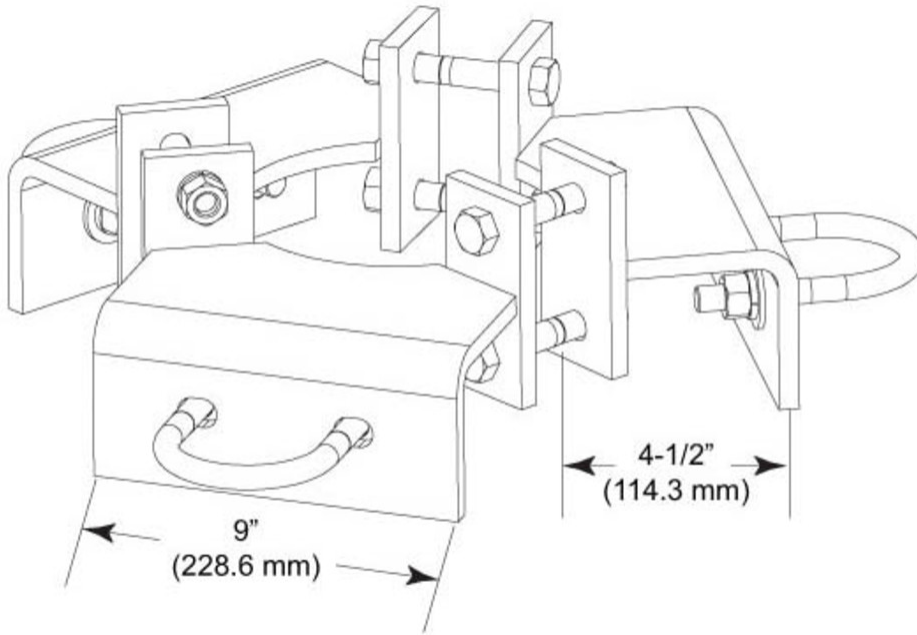
Length 0.335 m | 1.1 ft

Pipe Outer Diameter 60.96 mm | 2.4 in

Stand-off Distance 114.3 mm | 4.5 in

TP-MSC

Outline Drawing



Material Specifications

Material Type Hot dip galvanized steel

Mechanical Specifications

Wind Rating For Specifications, please contact steelproducts@commscope.com or call 800-255-1479

Packaging and Weights

Included Brackets | U-bolts

Packaging quantity 1

Weight, net 20.3 kg | 44.754 lb

Regulatory Compliance/Certifications

Agency	Classification
ISO 9001:2015	Designed, manufactured and/or distributed under this quality management system

* Footnotes

Wind Rating BWS—Base Wind Speed; FBC—Florida Building Code

