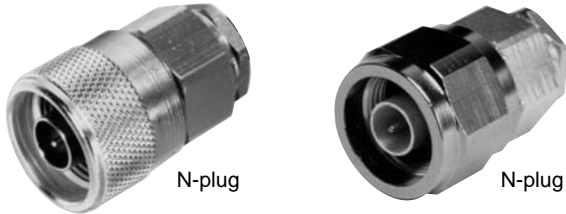


Connectors for HELIAX® FSJ1-50A Coaxial Cable



N-plug

N-plug

Description

These connectors are designed for flaring of the outer conductor and soldering of the inner connector to the inner conductor of the coaxial cable.

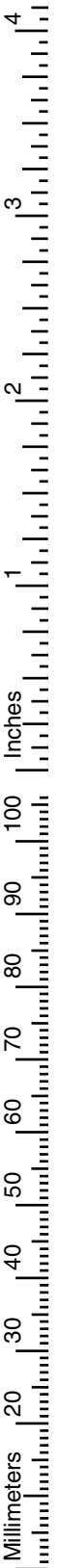
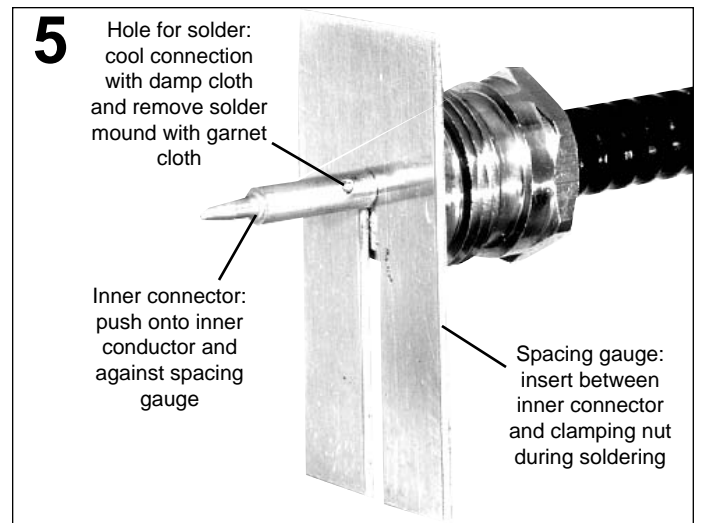
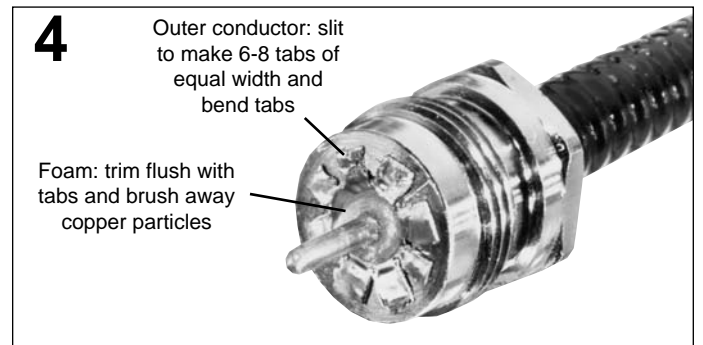
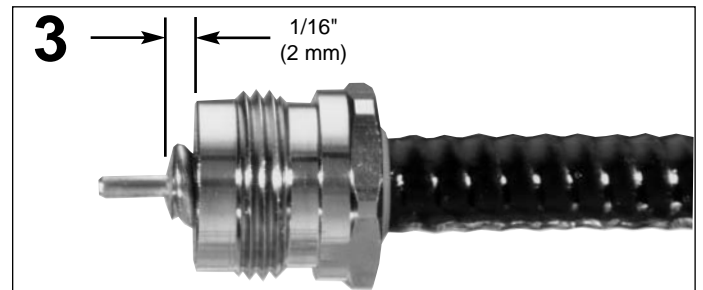
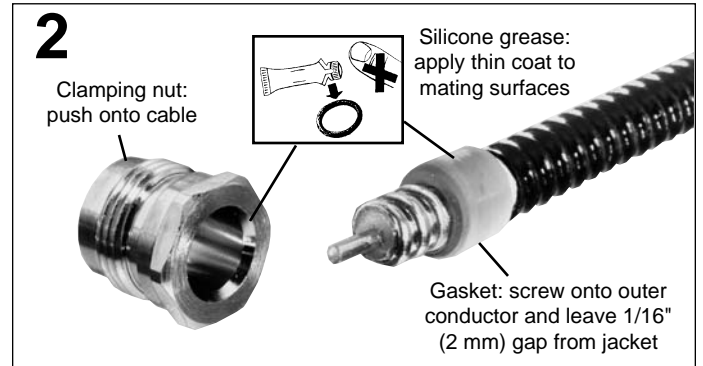
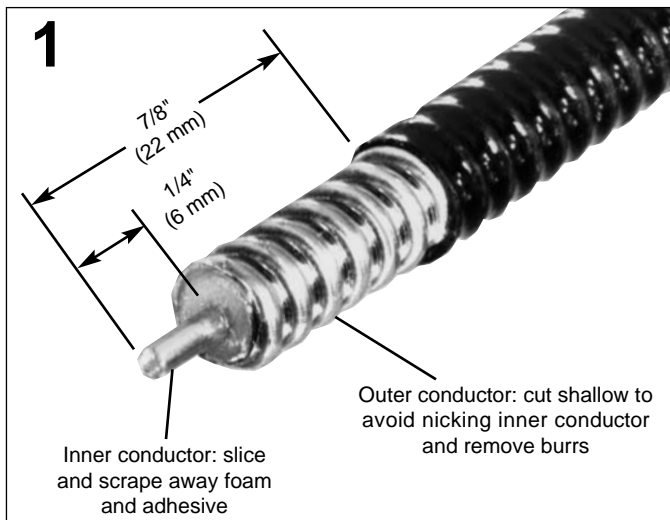
Tools and Materials Required for Assembly

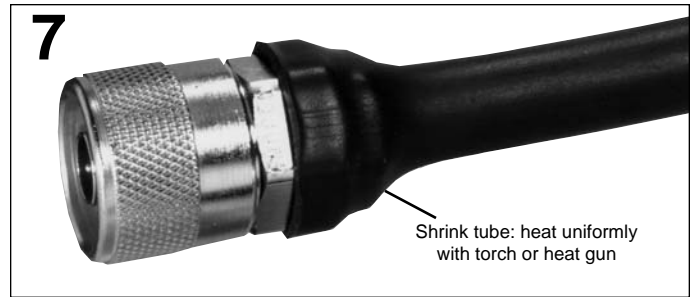
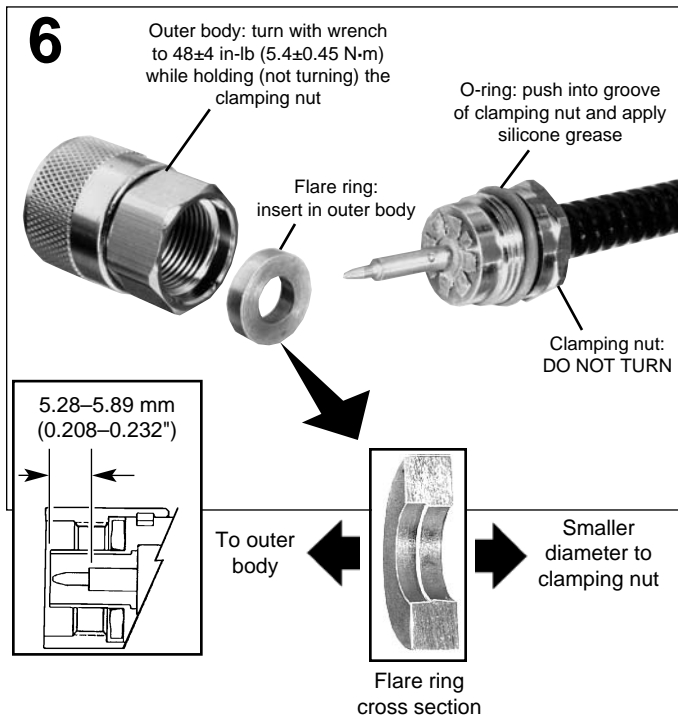
Knife	Wrenches: 9/16", 11/16", and
Flat file	13/16" (hex coupling nut)
Wire brush	Fine-toothed hacksaw or
Silicone grease (supplied)	jeweler's saw
Spacing gauge (supplied)	Soldering iron, min. 150 W:
Damp cloth	a resistance-type iron is recom-
Garnet cloth, 240	mended when soldering in low-
grit or finer	temperature environments
	Solder, 63/37 RMA flux core

Notice

The installation, maintenance, or removal of antenna systems requires qualified, experienced personnel. Andrew installation instructions have been written for such personnel. Antenna systems should be inspected once a year by qualified personnel to verify proper installation, maintenance, and condition of equipment.

Andrew disclaims any liability or responsibility for the results of improper or unsafe installation practices.





	表一 有毒有害物质或元素名称及含量标识格式					
	有毒有害物质或元素					
部件名称 (Part Name)	铅 (Pb)	汞 (Hg)	镉 (Cd)	六价铬 (Cr6+)	多溴联苯 (PBB)	多溴二苯醚 (PBDE)
连接器 (Connector if attached)	X	O	O	O	O	O

O: 表示有毒有害物质在该部件所有的均质材料中的含量均在SJ/T 11363-2006规定的限量要求以下。
 X: 表示该有毒有害物质至少在该部件的某一均质材料中的含量超出SJ/T 11363-2006规定的限量要求。



Andrew Corporation
 10500 West 153rd Street
 Orland Park, IL U.S.A. 60462

Telephone: 708-349-3300
 FAX (U.S.A.): 1-800-349-5444
 Internet: <http://www.andrew.com>

Customer Service, 24 hours: U.S.A. • Canada • Mexico: 1-800-255-1479
 U.K.: 0800 250055
 Other Europe: +44 1592 782612

Printed in U.S.A. 8/07
 Copyright © 2007 by Andrew Corporation