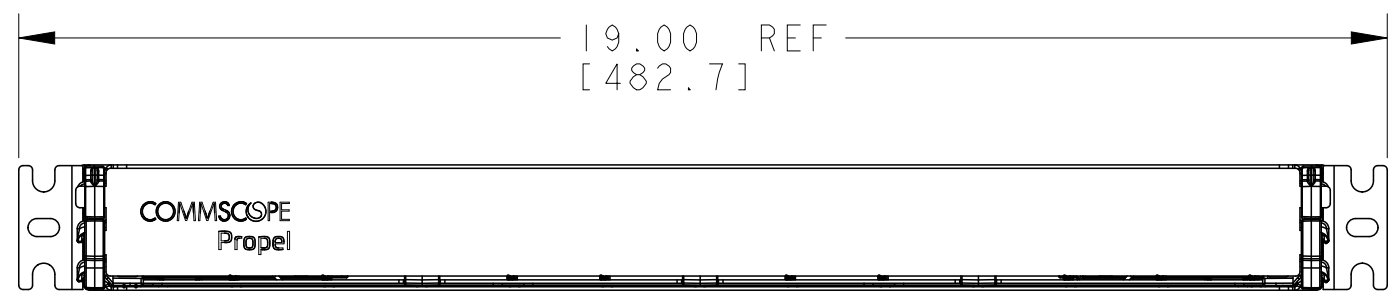
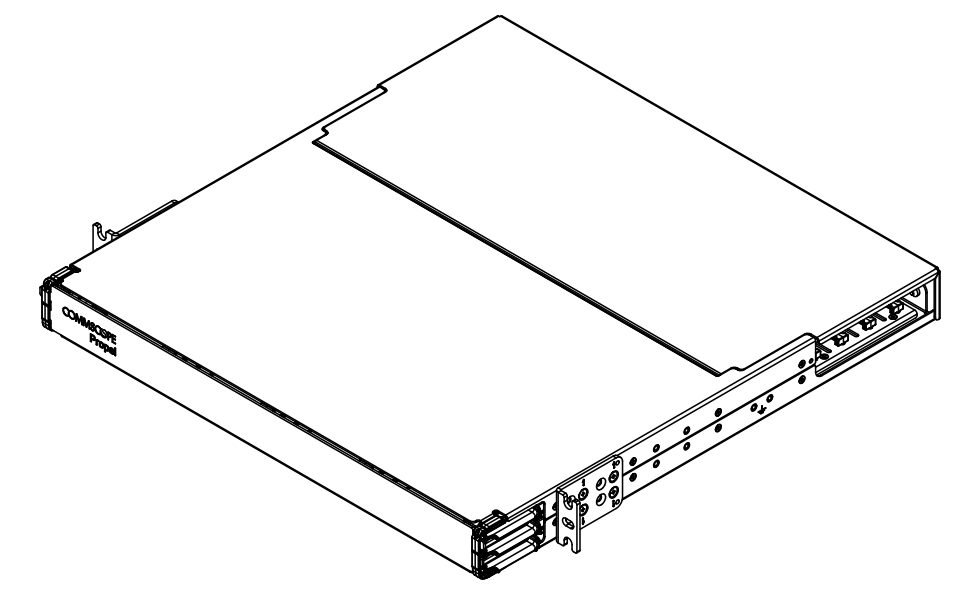
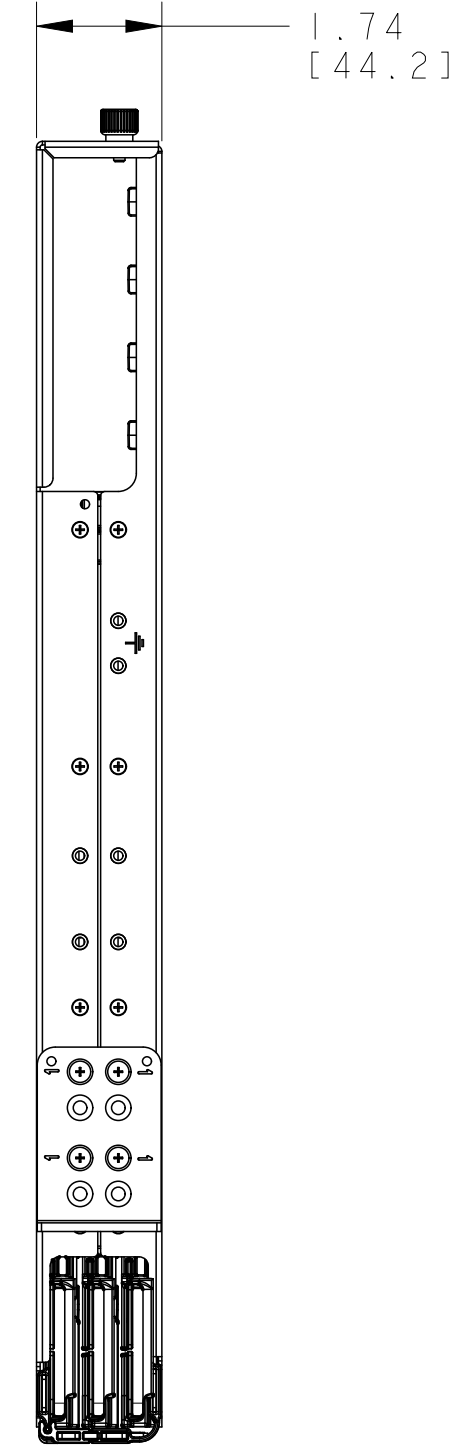
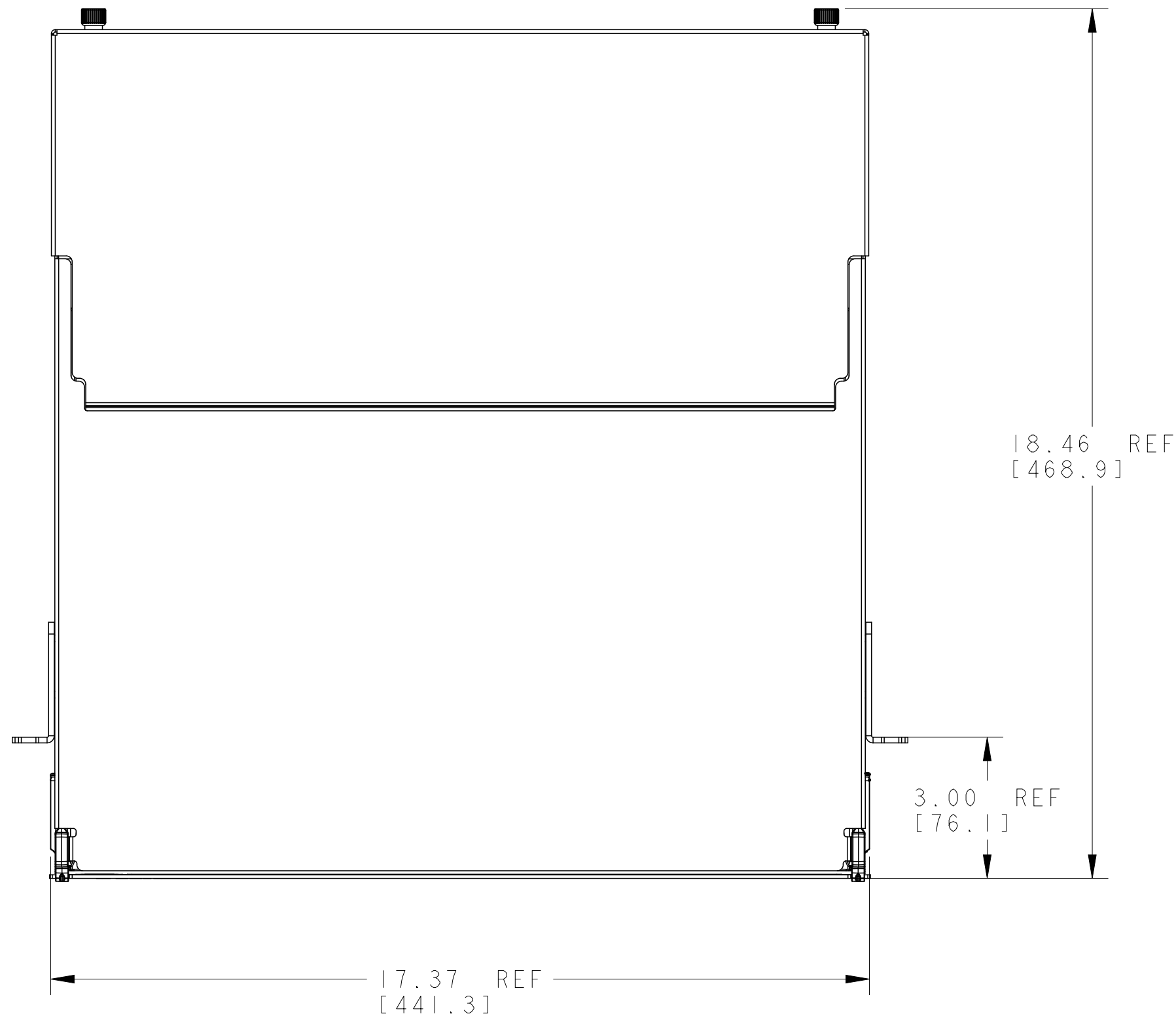


REVISIONS			
REV	CMO	DATE	APPROVED
A	40179728CMO	04-SEP-2023	VFV



760255953	PPL-IU-W
760252002	PPL-IU
MID	CATALOG # / DESCRIPTION

COMMSCOPE, INC.			
DRAFTER VICTOR FLORES	TITLE PPL-IU DIM DRAWING		
ENGINEER JAKE ANDERSON	SIZE A2	SCALE 3:16	DOCUMENT NO. 660106136
CUSTOMER DRAWING			REVISION A
			SHEET 1 OF 1

UNIT IN INCHES [MM]

