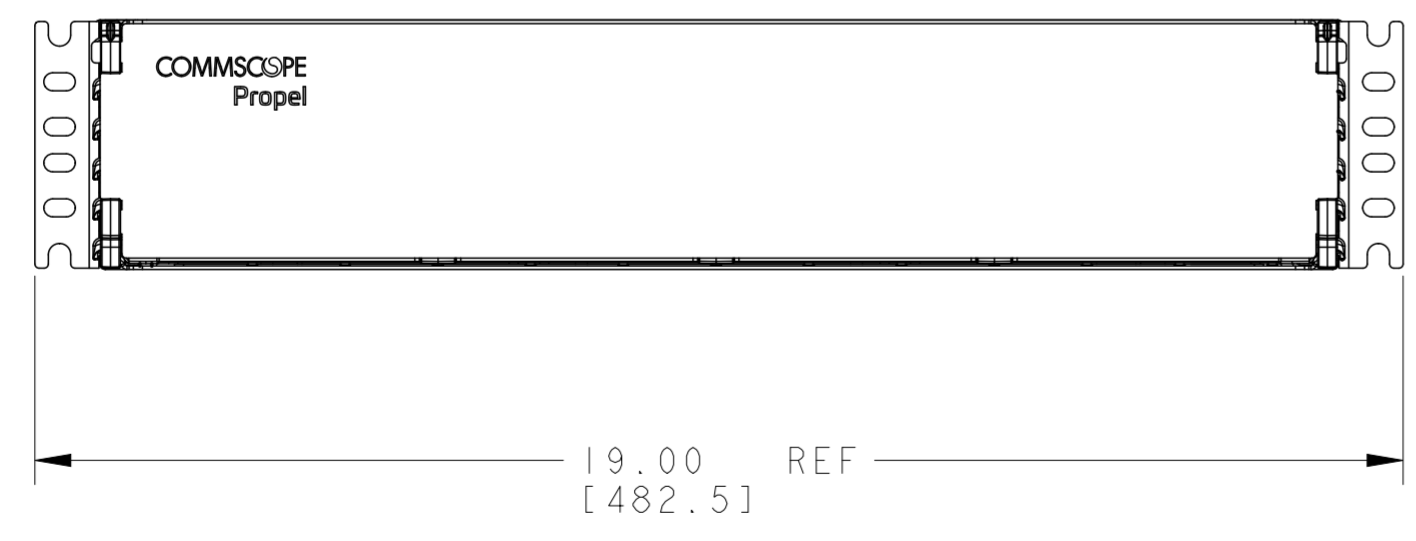
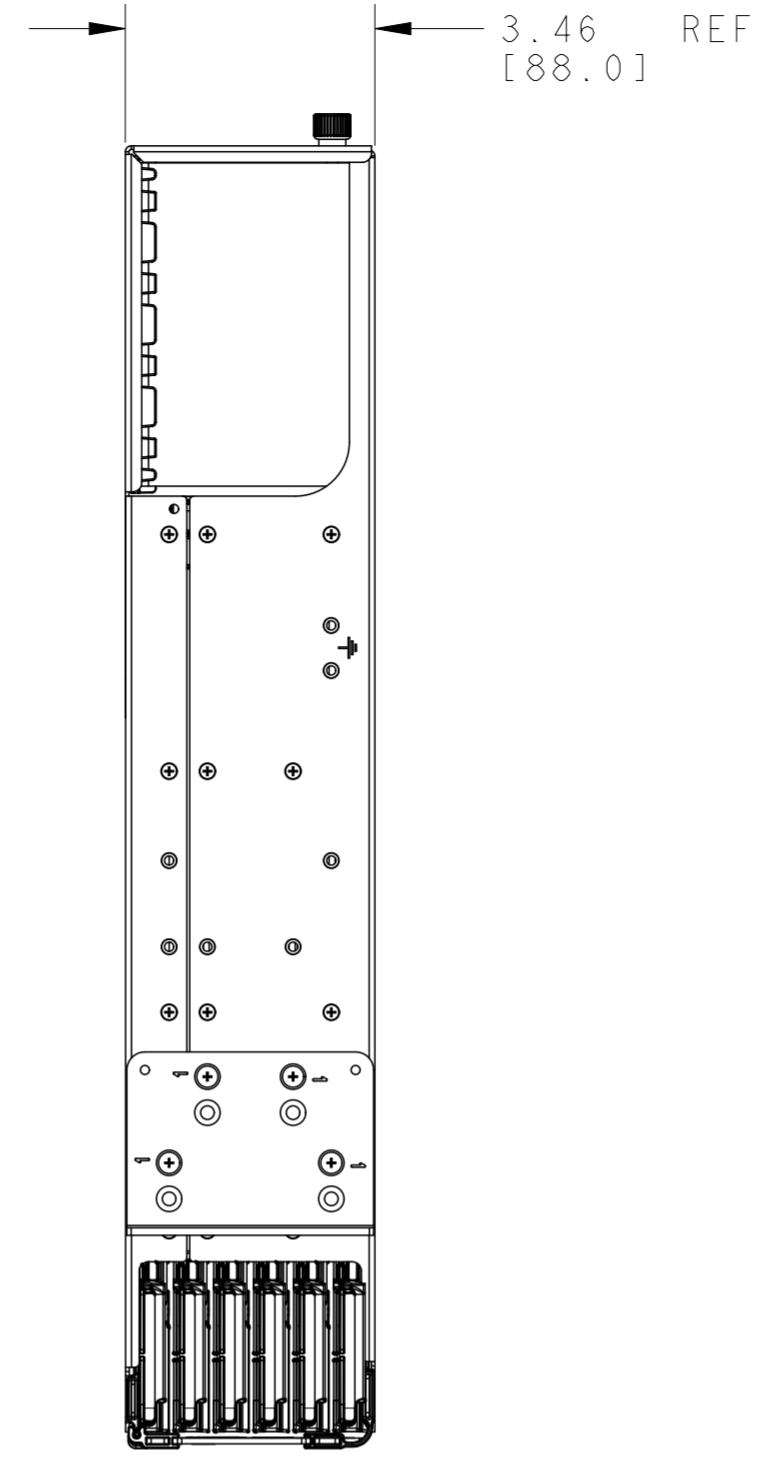
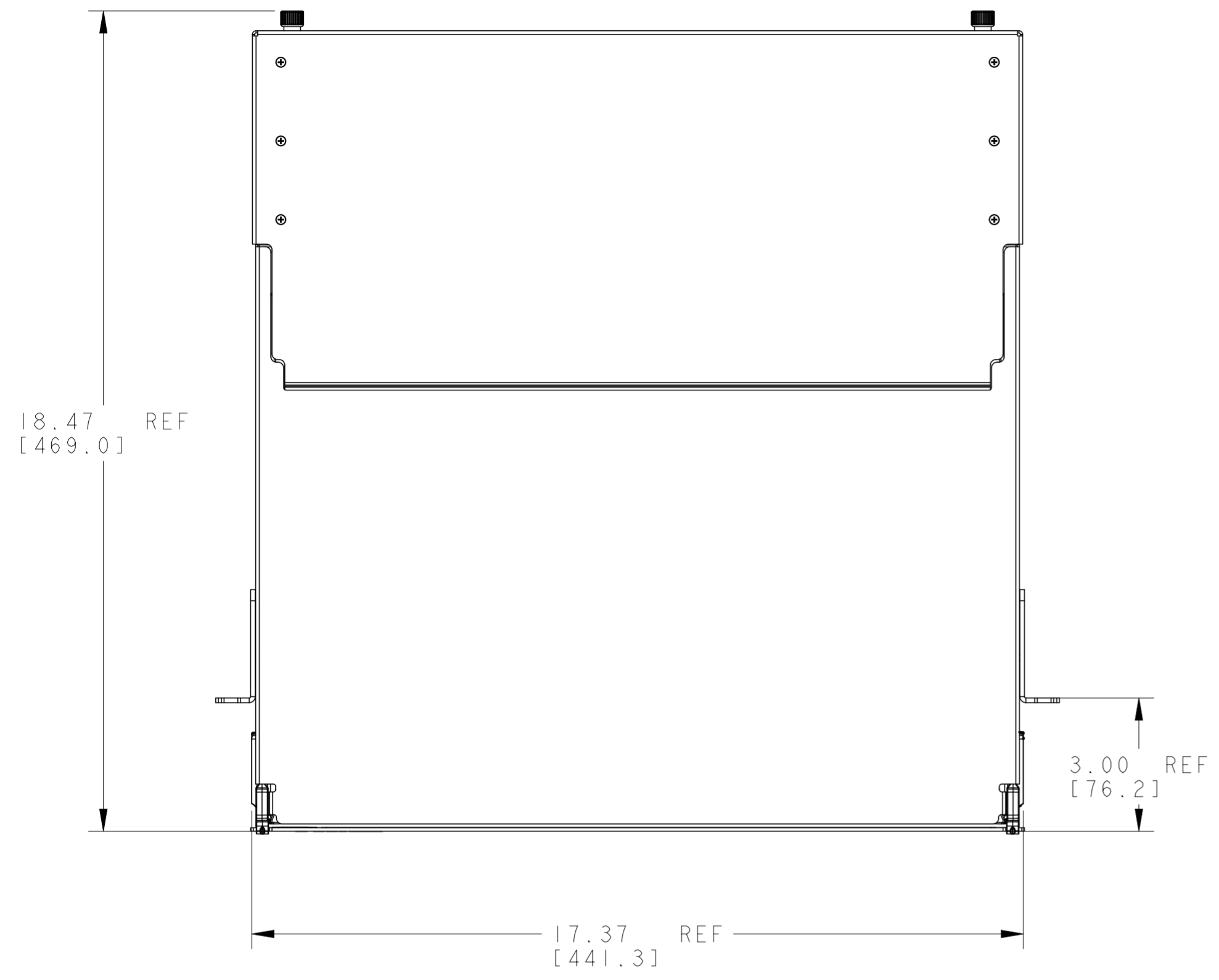
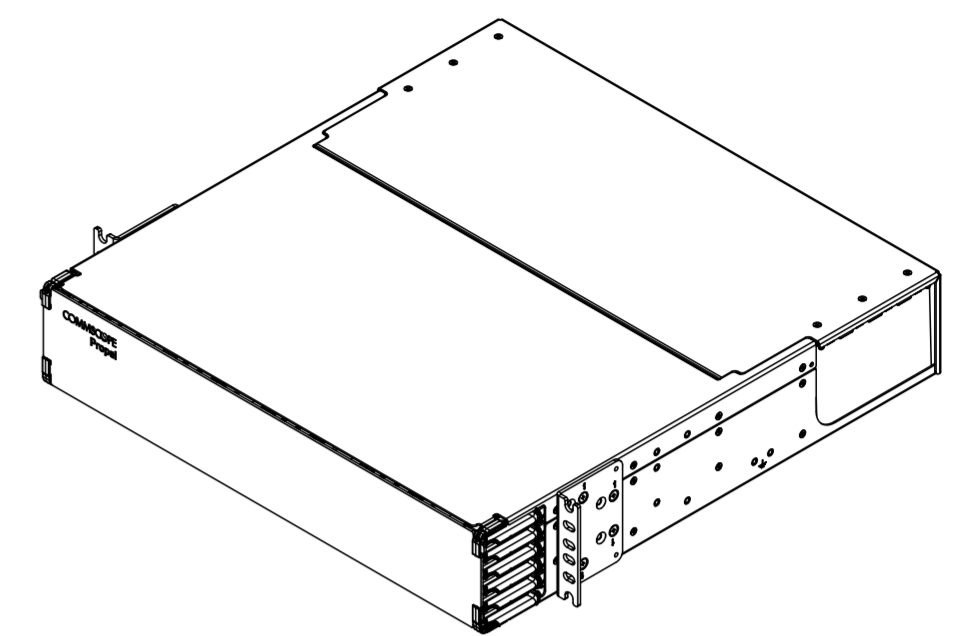


REVISIONS			
REV	CMO	DATE	APPROVED
A	40179728CMO	04-SEP-2023	VFV



760255954	PPL-2U-W
760252003	PPL-2U
MID	CATALOG # / DESCRIPTION

<b>COMMSCOPE, INC.</b>			
DRAFTER VICTOR FLORES		TITLE PPL-2U DIM DRAWING	
ENGINEER JAKE ANDERSON		SIZE A2	SCALE 3:16
		DOCUMENT NO. <b>660106137</b>	
CUSTOMER DRAWING			REVISION A
			SHEET 1 OF 1

UNIT IN INCHES [MM]

