

# WT-HRM2-72

---



Water Tower Top Rail Mount, 2-3/8 in x 72 in plain end pipe included

## Product Classification

**Product Type** Water tower mount

## General Specifications

**Mounting** Handrail | Toe board

**Pipe, quantity** 1

## Dimensions

**Height** 1,828.8 mm | 72 in

**Width** 203.2 mm | 8 in

**Length** 609.6 mm | 24 in

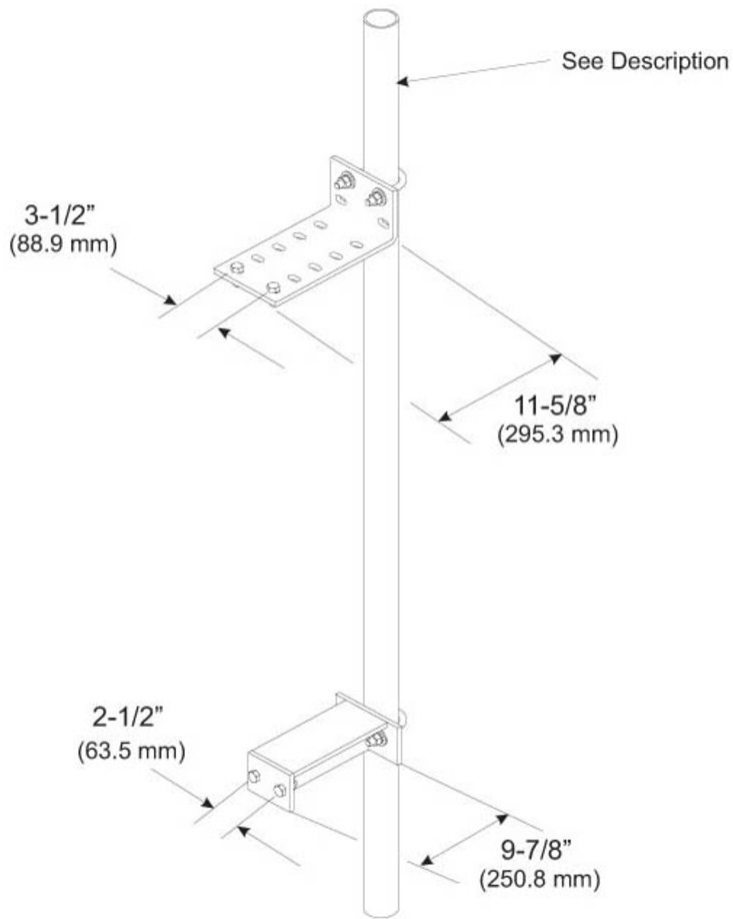
**Pipe Length** 1,828.8 mm | 72 in

**Pipe Outer Diameter** 60.96 mm | 2.4 in

**Stand-off Distance** 228.6 mm | 9 in

# WT-HRM2-72

## Outline Drawing



## Material Specifications

**Material Type** Hot dip galvanized steel

## Packaging and Weights

**Included** Hardware | Mount | Plain end pipes

**Packaging quantity** 1

**Weight, net** 19.096 kg | 42.1 lb

## Regulatory Compliance/Certifications

**Agency** **Classification**

# WT-HRM2-72

---

ISO 9001:2015

Designed, manufactured and/or distributed under this quality management system



## Included Products

- MT-651 – Plain End Pipe, 2-3/8 in OD x 72 in .120" A500C 46Ksi
- WT-HRM2-B – Water Tower Top Rail Mount for 2-3/8 in OD mounting pipe, plain end pipe not included