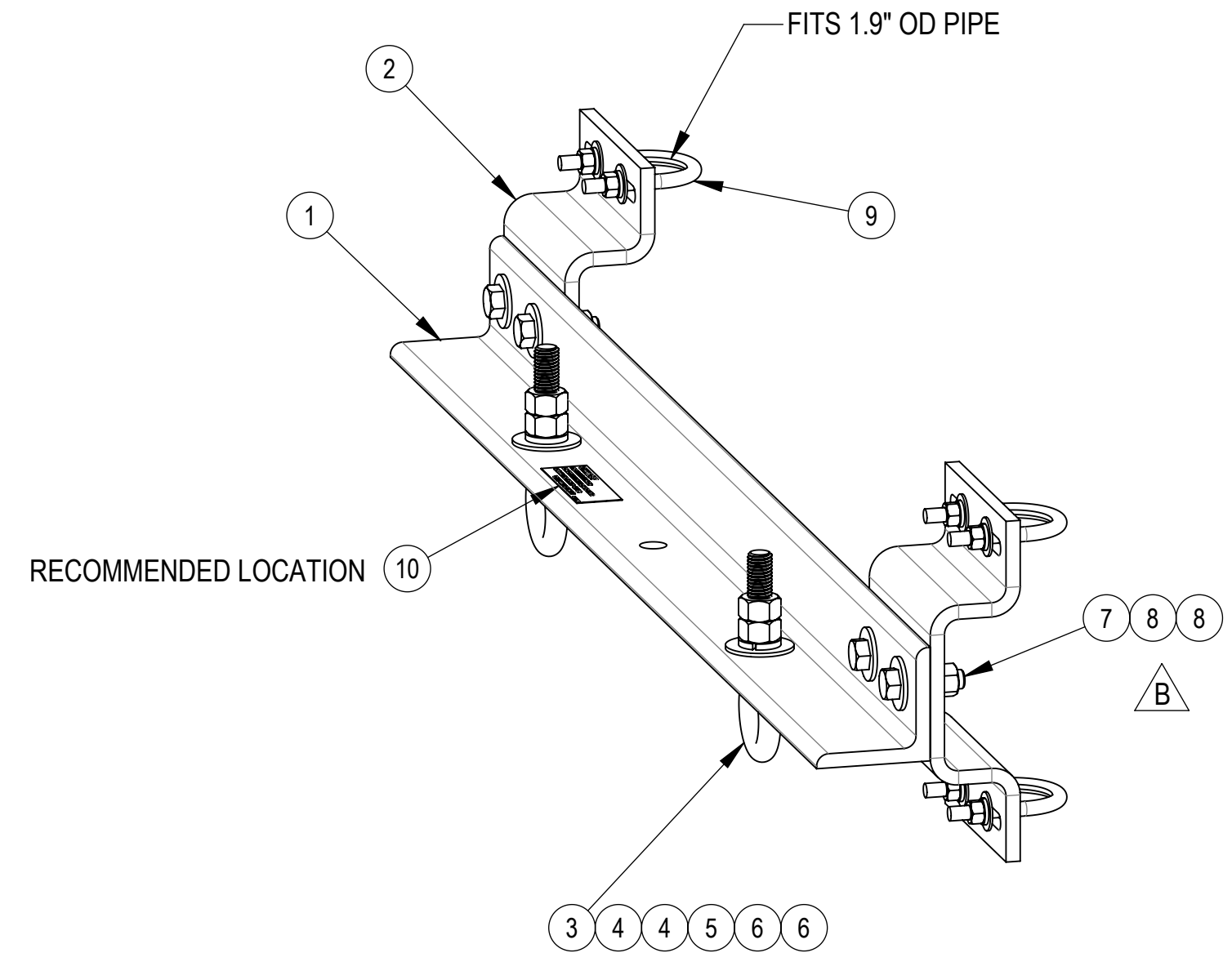
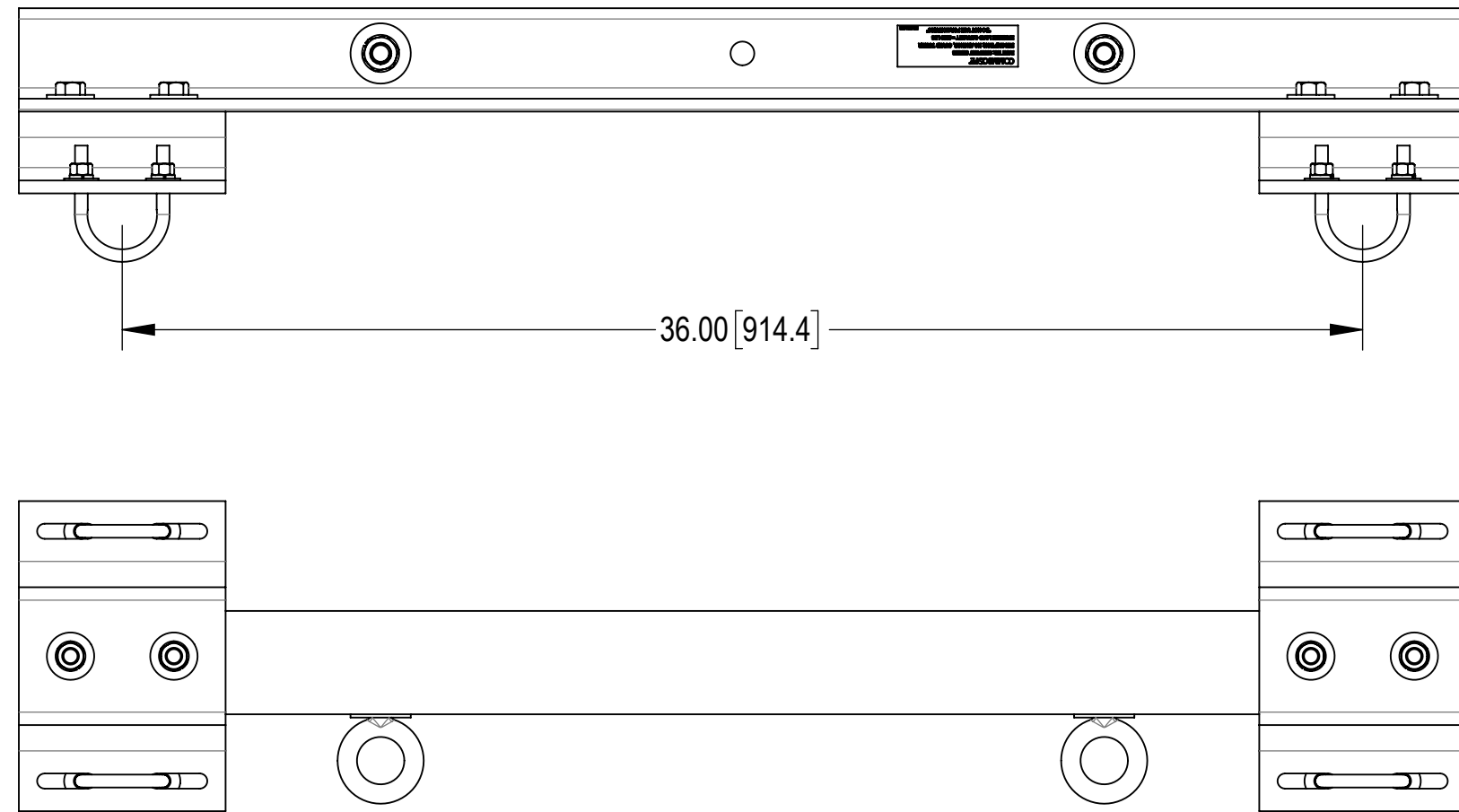


- 1.0 GENERAL NOTES
 1.1 ALL METRIC DIMENSIONS ARE IN BRACKETS [X. X]
 1.2 FOR PATENT INFO: <https://www.cs-pat.com>
 2.0 DESIGN NOTES
 2.1 ANY HAZARDS OR OBSTRUCTIONS TO THE CLIMBING FACILITY AND SAFETY CLIMB MUST BE IDENTIFIED PRIOR TO INSTALLING THE APPURTENANCE. ADDITIONAL PRODUCTS MAY BE REQUIRED TO MAINTAIN THE INTEGRITY OF THE SAFETY CLIMB. DURING INSTALLATION, TEMPORARY AND/OR PERMANENT PRECAUTIONARY MEASURES SHOULD BE TAKEN TO PRESERVE THE CLIMBING FACILITY AND/OR SAFETY CLIMB.
 3.0 MANUFACTURING/SPECIAL REQUIREMENTS
 3.1 TIGHTEN ALL BOLTS SECURING FLAT PLATES BY THE TURN-OF-NUT METHOD. TIGHTEN ALL U-BOLTS USING TURN-OF-NUT METHOD WITH ATTENTION TO LEAVE EQUAL DISTANCE AND EQUAL FORCE ON EACH LEG OF THE U-BOLT.
 4.0 TEST
 5.0 PACKAGING
 5.1 PACKAGING SHALL MEET COMMSCOPE REQUIREMENTS PER DOCUMENT IS-PL-3005
 5.2 PRINTED DOCUMENT TO BE PLACED INSIDE POLYBAG AND THEN IN SHIPPING CONTAINER
 5.3 EXTRA HARDWARE MAY BE SUPPLIED, BAGGED AND SHIPPED

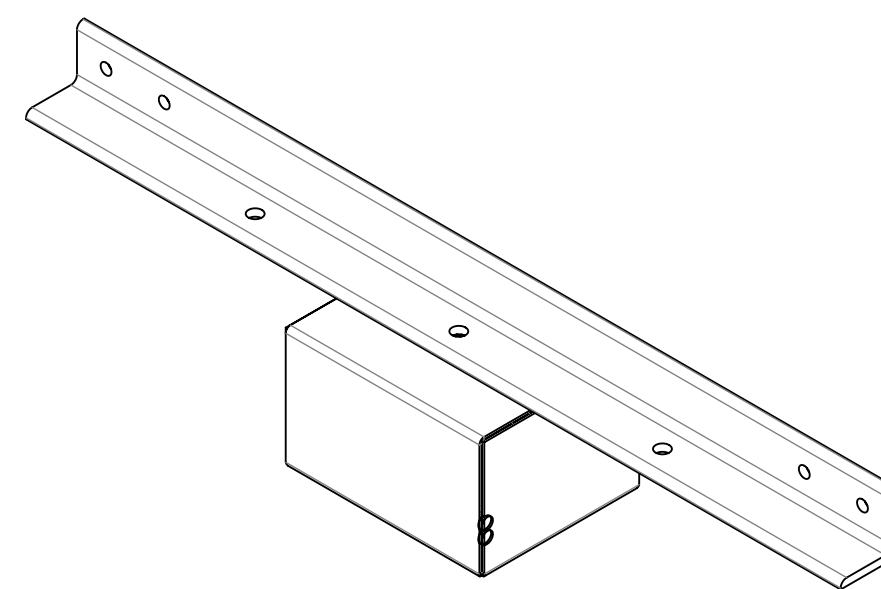
REVISIONS			
REV.	DESCRIPTION	DATE	APPROVED
A	INITIAL RELEASE	LL1090 16NOV23	EB1063 40183094CMO
B	GB-04165 WAS GB-03145; GWF-04 WAS GWF-03	RY1002 11APR24	EB1063 40193135CMO



NOTE: -MAXIMUM LOAD PER EYEBOLT = 1000 LBS
 -MAXIMUM LOAD PER GRIP ANCHOR = 2000 LBS
 -NOT TO BE USED FOR HOISTING
 -COMPETENT PERSON TO MAKE DETERMINATION OF USAGE ON THE STRUCTURE

COMPONENT PART NUMBERS PROVIDED FOR ASSEMBLY PURPOSES;
 INDIVIDUAL COMPONENTS MAY BE SHIPPED AS PARTS WITHIN AN INCLUDED KIT.

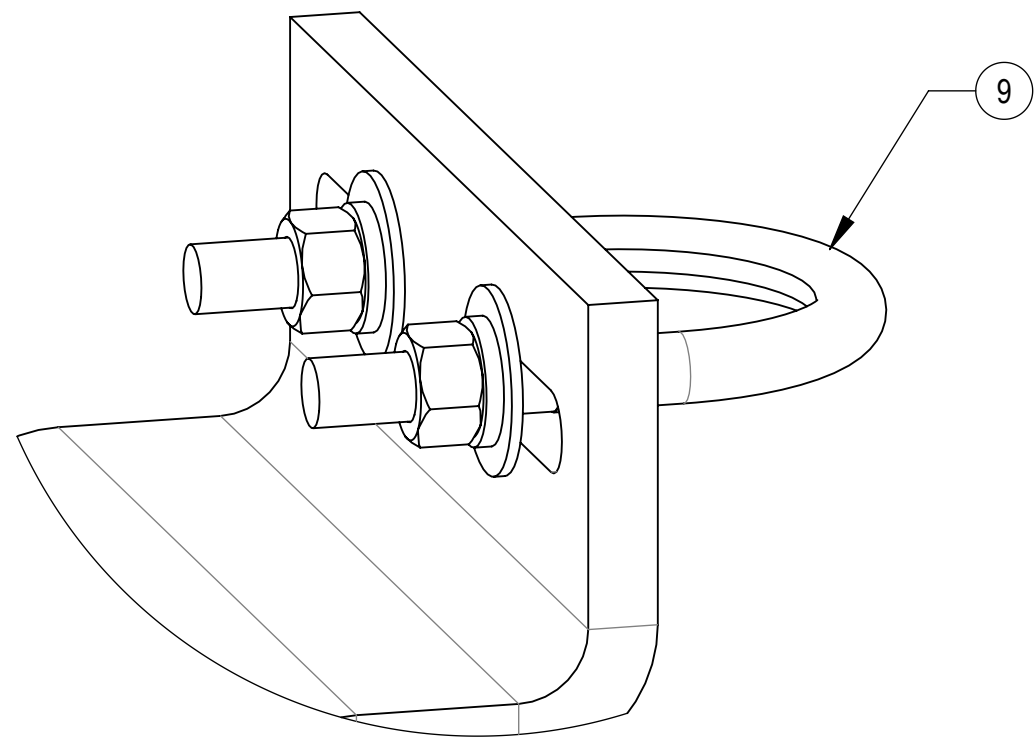
ITEM NO.	PART NUMBER	DESCRIPTION	QTY.	WEIGHT	NOTE NO.
1	MTC4165-036-00	36 INCH CROSSMEMBER GALVANIZED	1	24.65 LBS	
2	MTC4166-00	STEEL OFFSET BRACKET,GALV	2	7.28 LBS	
3	9674-1	BOLT,EYE,5/8X3,STL,ZN PLD	2	0.08 LBS	
4	GWF-05	5/8" GALV FLAT WASHER, 1.7OD	4	0.06 LBS	
5	GWL-05	5/8" GALV LOCK WASHER	2	0.03 LBS	
6	GN-05	5/8" GALV HEX NUT	4	0.08 LBS	
7	GB-04165	1/2" X 1-3/4" GALV BOLT KIT	4	0.14 LBS	
8	GWF-04	1/2" GALV FLAT WASHER	8	0.04 LBS	
9	GUB3230	3/8" X 2" X 3" GALV U-BOLT	4	0.24 LBS	
10	MTC4165-LAB01	LABEL, HG ANCHOR,GUYED-TOWER	1	0.00 LBS	



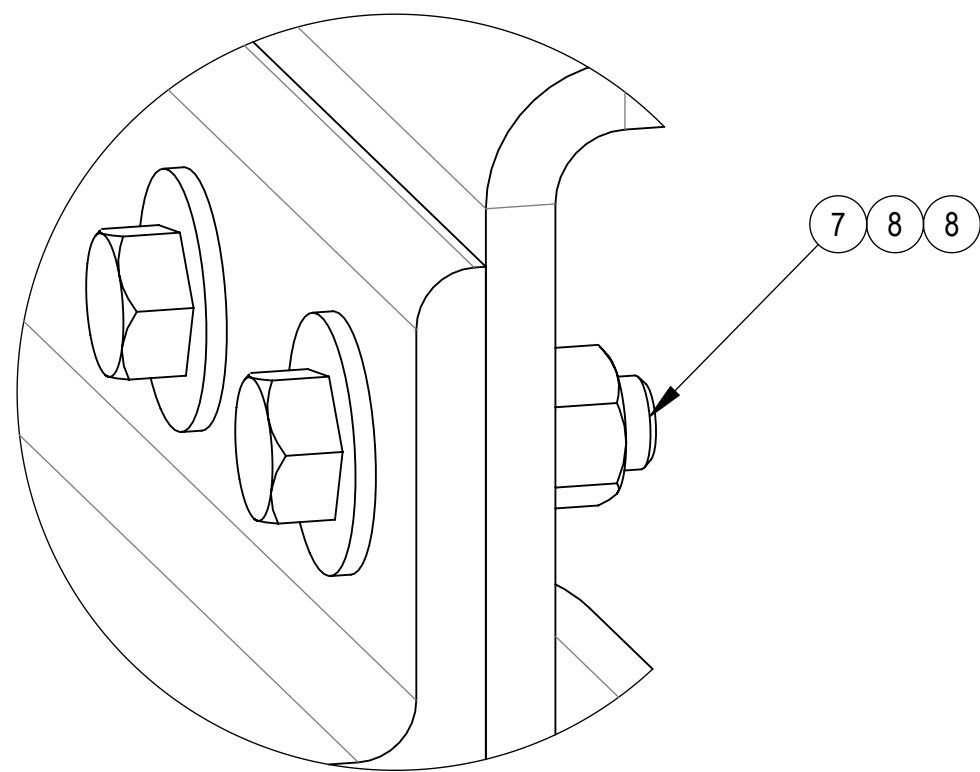
PACKAGE

DENSITY	42.33	lbs/in ³
MASS	42.33	lbs
VOLUME	153.68	in ³
SURFACE AREA	1021.44	in ²
HEIGHT	7.36"	
LENGTH	9.00"	
WIDTH	42.00"	

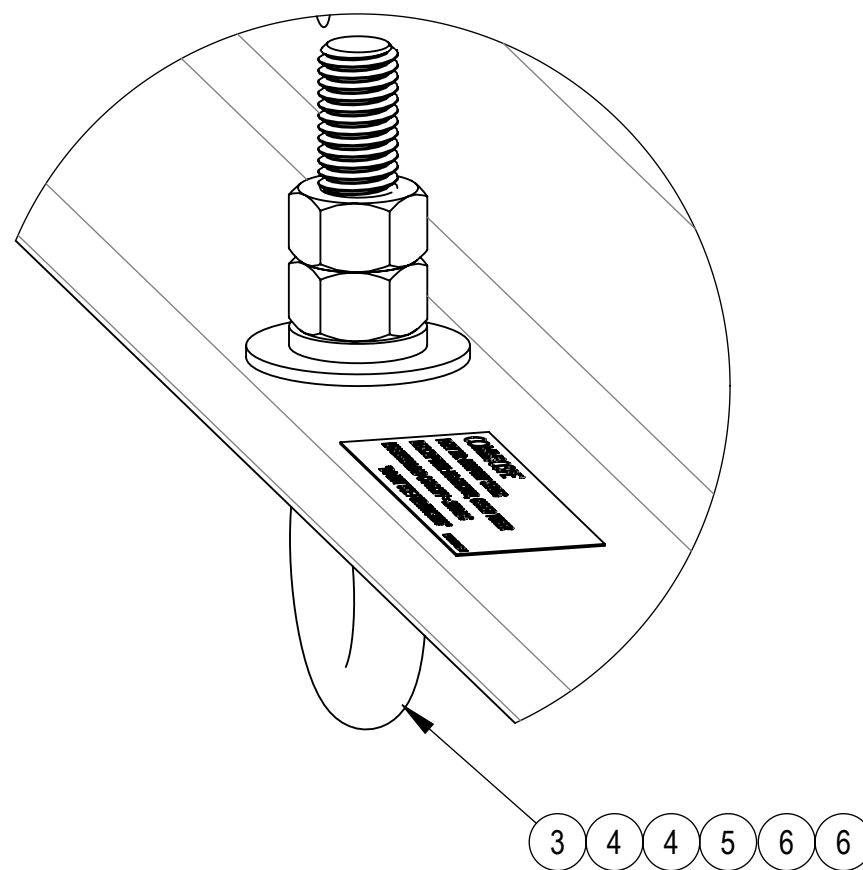
COMMSCOPE, INC. OF NORTH CAROLINA									
TOLERANCES					SAP MATERIAL MASTER				
1 PLACE .X[X] ± 0.2[6.3]			3 PLACE .XXX[X] ± 0.060[1.5]		860674607-036				
2 PLACE .XX[X] ± 0.12[3.0]			ANGLES ± 2°						
FINISH					MATERIAL				
UNLESS OTHERWISE SPECIFIED DIMENSIONS ARE IN INCHES INTERPRET PER ANSI Y 14.5M-1994	NAME	DATE	TITLE						
	CE LL1090	16NOV23	HG ANCHOR,GUYED-TOWER,36" FACE						
	RW RY1002	04/12/2024							
	AD YZ1080	04/17/2024							
	RE RY1002	04/24/2024							
ECN 40193135CMO			SCALE	DOCUMENT NO.					
			1:8	860674607-036					
SIZE	Auth Group	INSL	MODEL			DRAWING			
C			VERSION	STATUS	REVISION	VERSION	STATUS	REVISION	SHEET
			02	RE	C	01	RE	B	1 OF 2



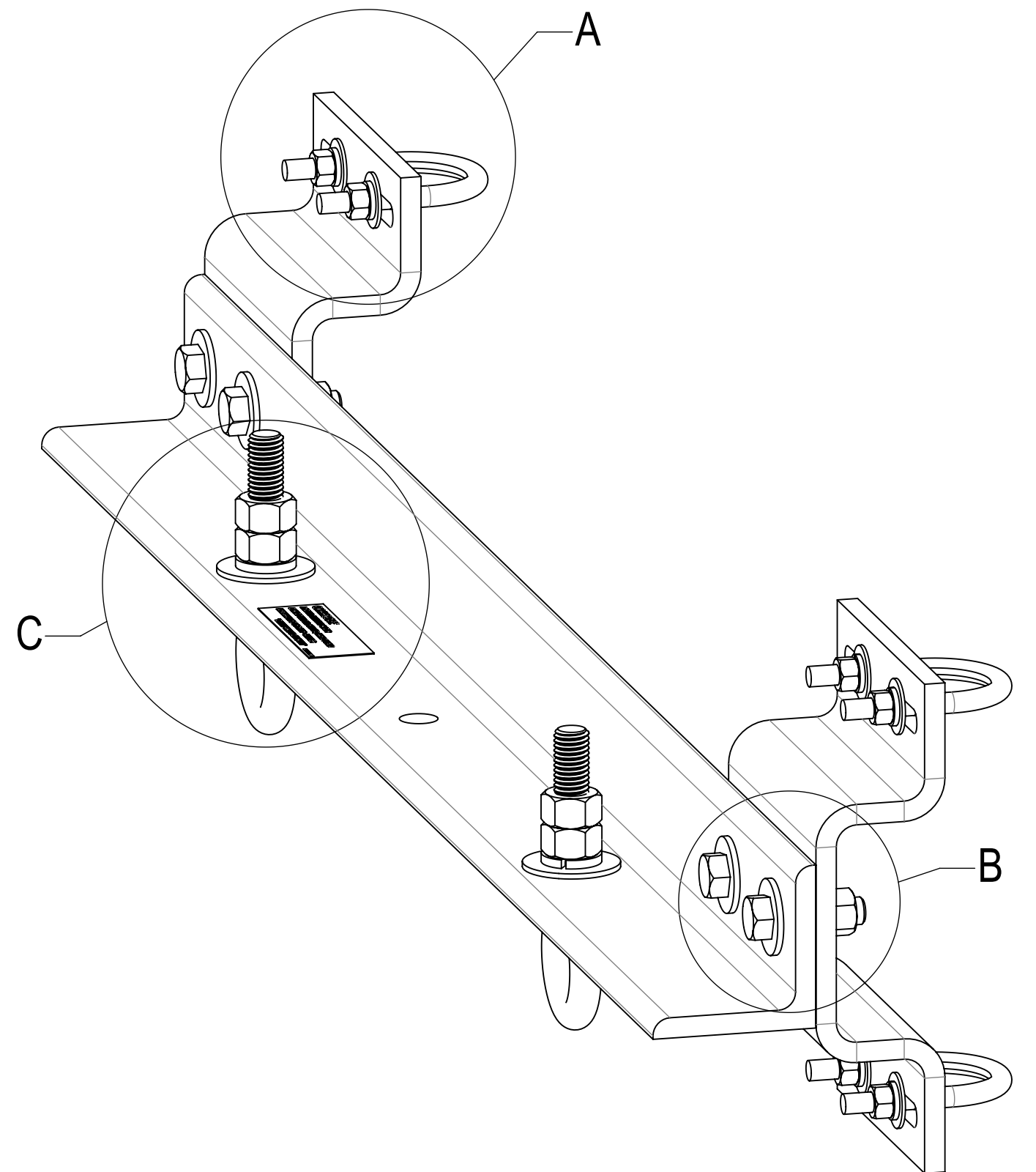
DETAIL A
SCALE 1 : 1




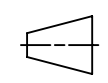
DETAIL B
SCALE 1 : 1



DETAIL C
SCALE 2 : 3



NOTE: -MAXIMUM LOAD PER EYEBOLT = 1000 LBS
 -MAXIMUM LOAD PER GRIP ANCHOR = 2000 LBS
 -NOT TO BE USED FOR HOISTING
 -COMPETENT PERSON TO MAKE DETERMINATION OF USAGE
 ON THE STRUCTURE

COMMSCOPE, INC. OF NORTH CAROLINA					
TITLE HG ANCHOR, GUYED-TOWER, 36" FACE					
SIZE C	SCALE 1:5	DOCUMENT NO. 860674607-036			
 		DRAWING			SHEET 2 OF 2
		VERSION 01	STATUS RE	REVISION B	