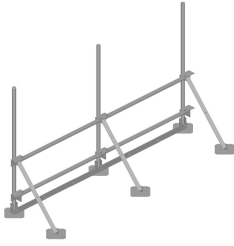


WT-SMA12-3-96



Water Tower Rooftop Sector Frame, 12 ft face, three 2-3/8 in OD x 96 in plain end pipes included

Product Classification

Product Type Water tower mount

General Specifications

Mounting Weld-on feet

Pipe, quantity 3

Sectors, quantity 1

Dimensions

Height 2,438.4 mm | 96 in

Face Width 3.658 m | 12 ft

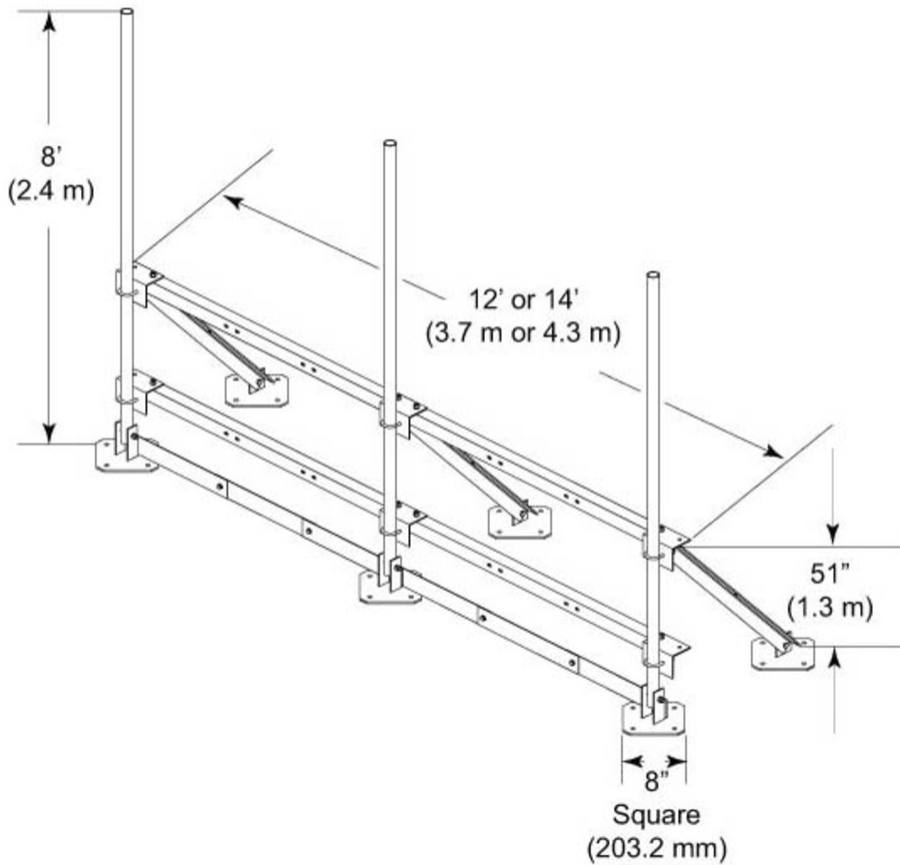
Width 3,657.6 mm | 144 in

Pipe Length 2,438.4 mm | 96 in

Pipe Outer Diameter 60.96 mm | 2.4 in

WT-SMA12-3-96

Outline Drawing



Material Specifications

Material Type Hot dip galvanized steel

Packaging and Weights

Included Mount | Plain end pipes (3)

Packaging quantity 1

Weight, net 212.1 kg | 467.6 lb

Regulatory Compliance/Certifications

Agency

CHINA-ROHS

ISO 9001:2015

Classification

Above maximum concentration value

Designed, manufactured and/or distributed under this quality management system

WT-SMA12-3-96

ROHS

Compliant/Exempted

UK-ROHS

Compliant/Exempted

