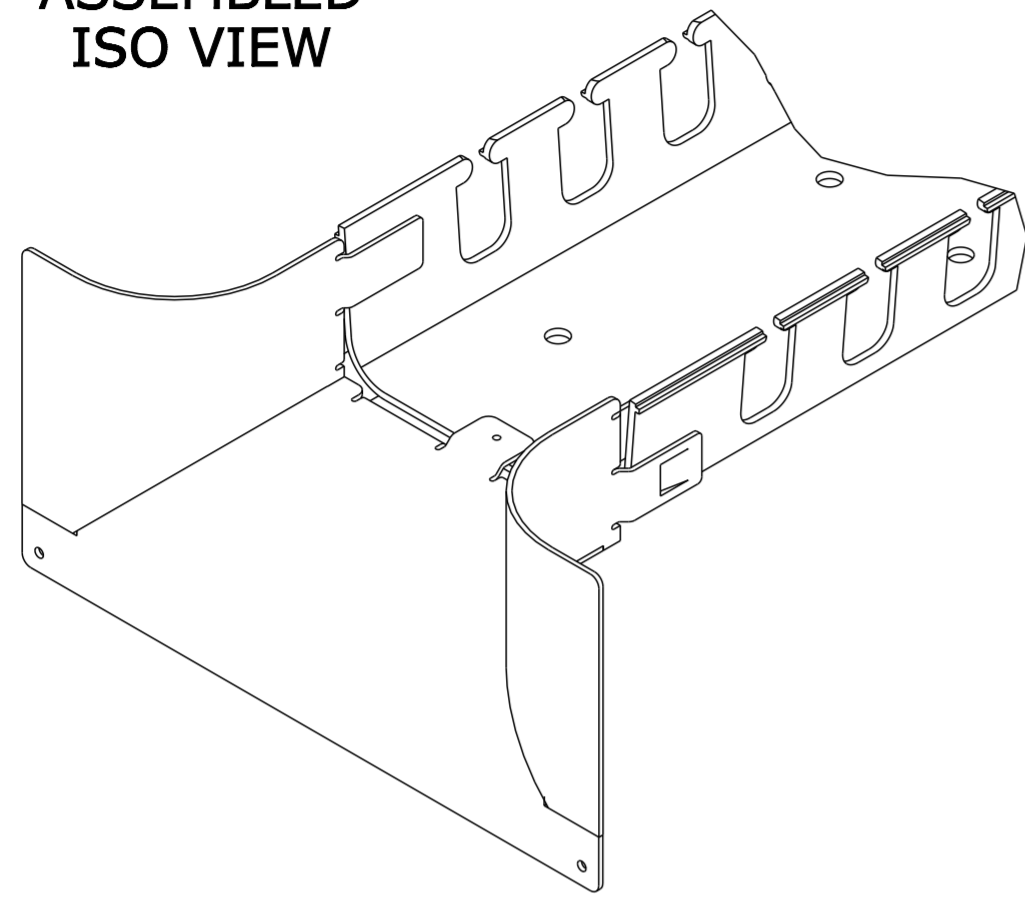
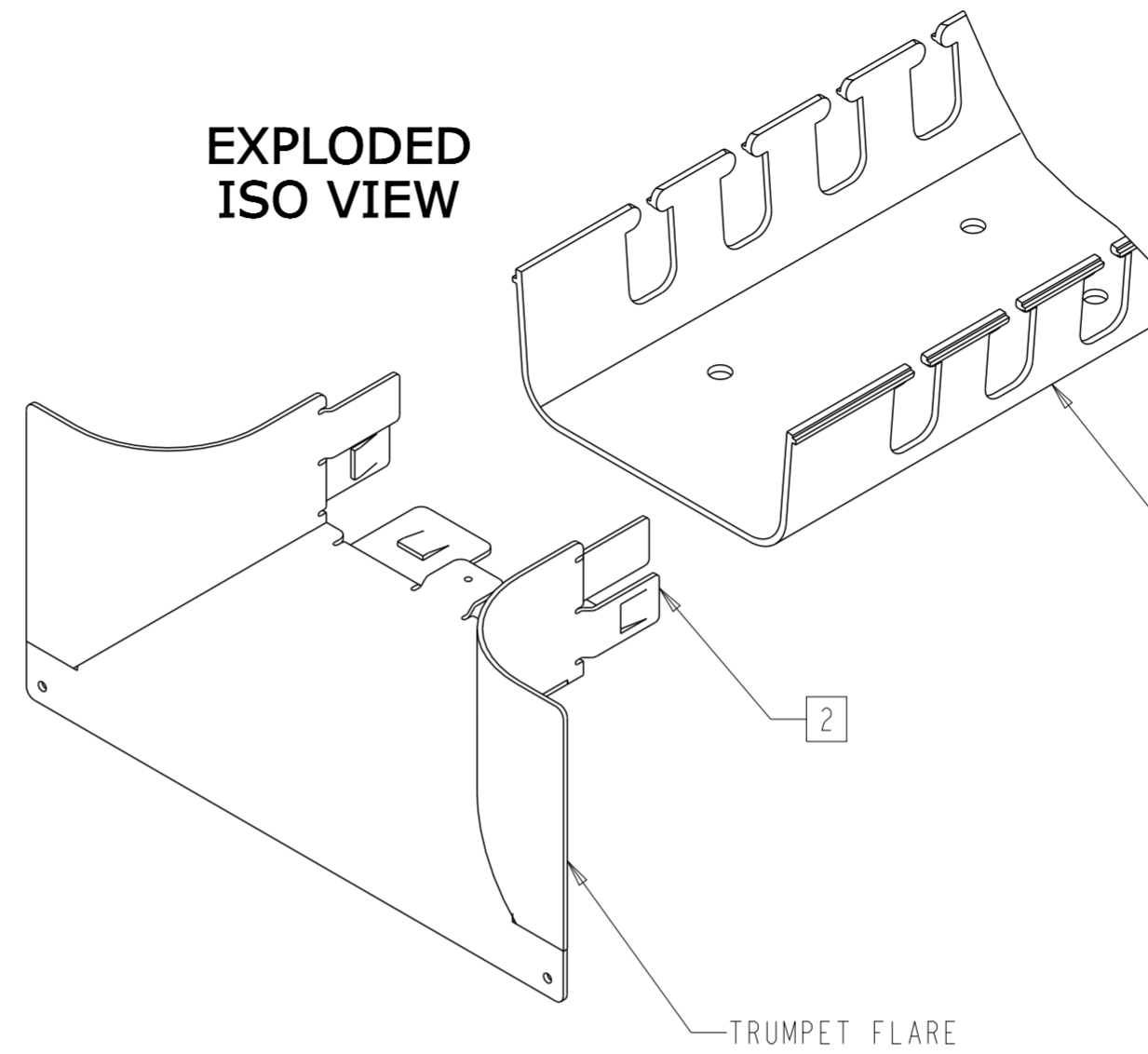


REVISIONS			
REV	CMO	DATE	APPROVED
B	20175855	26-AUG-05	GNM
C	40175008CMO	25-SEP-2023	GVR

**ASSEMBLED
ISO VIEW**

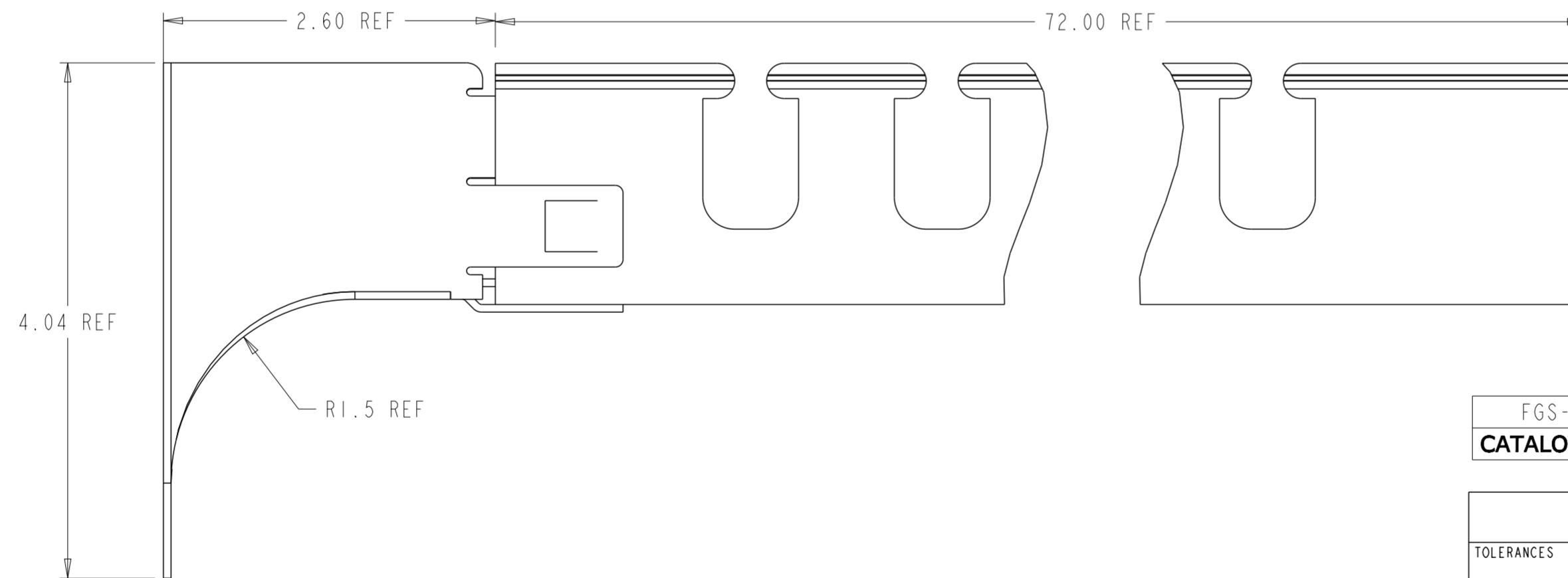


**EXPLODED
ISO VIEW**



ADC 2X4" VERTICAL
SLOTTED DUCT
NOT INCLUDED WITH KIT
CAT # FGS-KTW2-E

TRUMPET FLARE



FGS-MTRM-E	B
CATALOG NUMBER	REV

COMMSCOPE, INC.									
TOLERANCES					SAP MATERIAL MASTER				
SEE TABLE									
FINISH					MATERIAL				
SEE NOTES					SEE NOTES				
UNLESS OTHERWISE SPECIFIED DIMENSIONS ARE IN MILLIMETERS	DRAFTER			TITLE			***		
	J. GABRIEL NERI								
	CHECKER								
	J. GABRIEL NERI								
ENGINEER			SIZE	SCALE	DOCUMENT NO.				
C. ARROYO			A2	0.500	1327840_ADC				
CMO									
40175008CMO									
ALL SURFACES		AUTH GRP: ***		MODEL		DRAWING		SHEET	
✓		⊕		---				1 OF 1	
		***		VERSION	STATUS	REVISION	VERSION	STATUS	REVISION
				---	---	---	01	RE	C

NOTES:

- KIT INCLUDES THE FOLLOWING:
(1) TRUMPET FLARE 2X4".
(1) COPY OF THIS DRAWING.

ATTACHING THE TRUMPET FLARE TO THE VERTICAL SLOTTED DUCT:

- MATE THE TRUMPET FLARE TO THE VERTICAL SLOTTED DUCT AS SHOWN.
SIDES OF THE TRUMPET FLARE WILL NEED TO BE SQUEEZED INWARD SLIGHTLY

© 2023 CommScope, Inc. Confidential
NOTICE: These drawings and specifications are the proprietary property of COMMSCOPE, INC. and may be used only for the specific purpose authorized in writing by COMMSCOPE, INC.