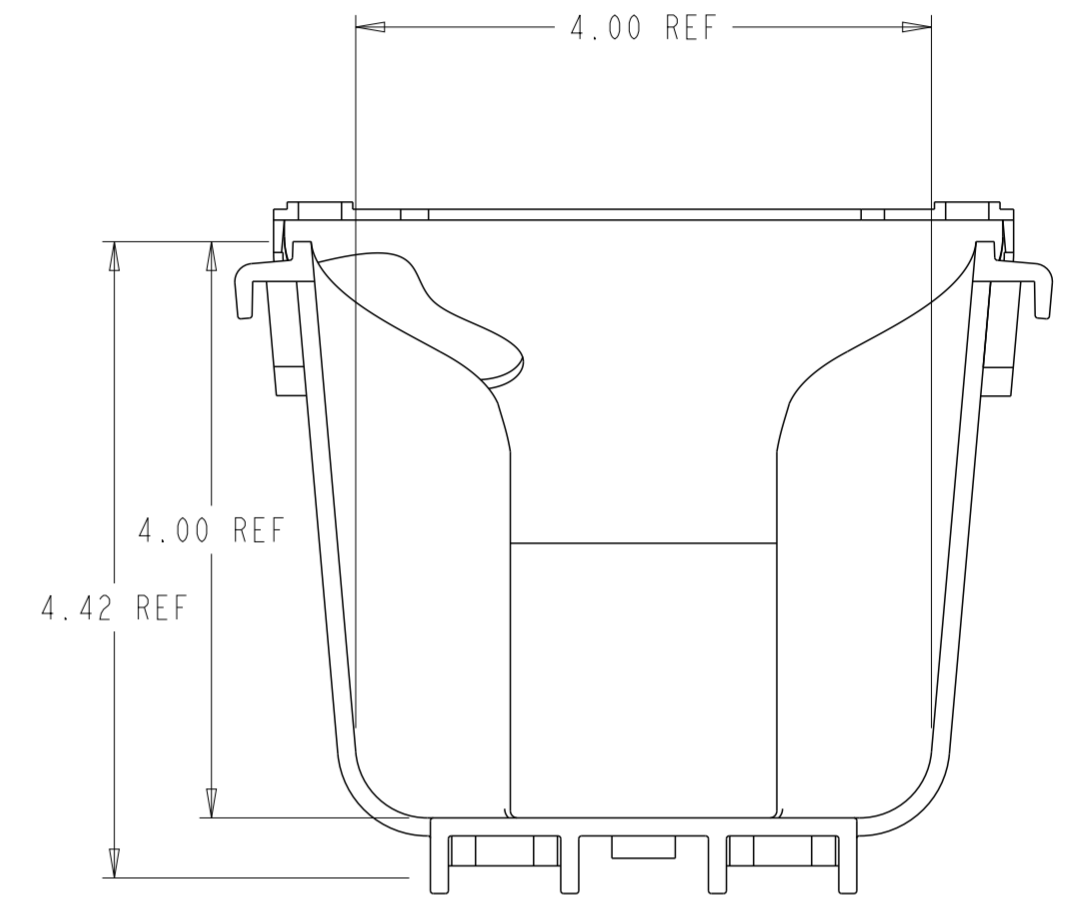
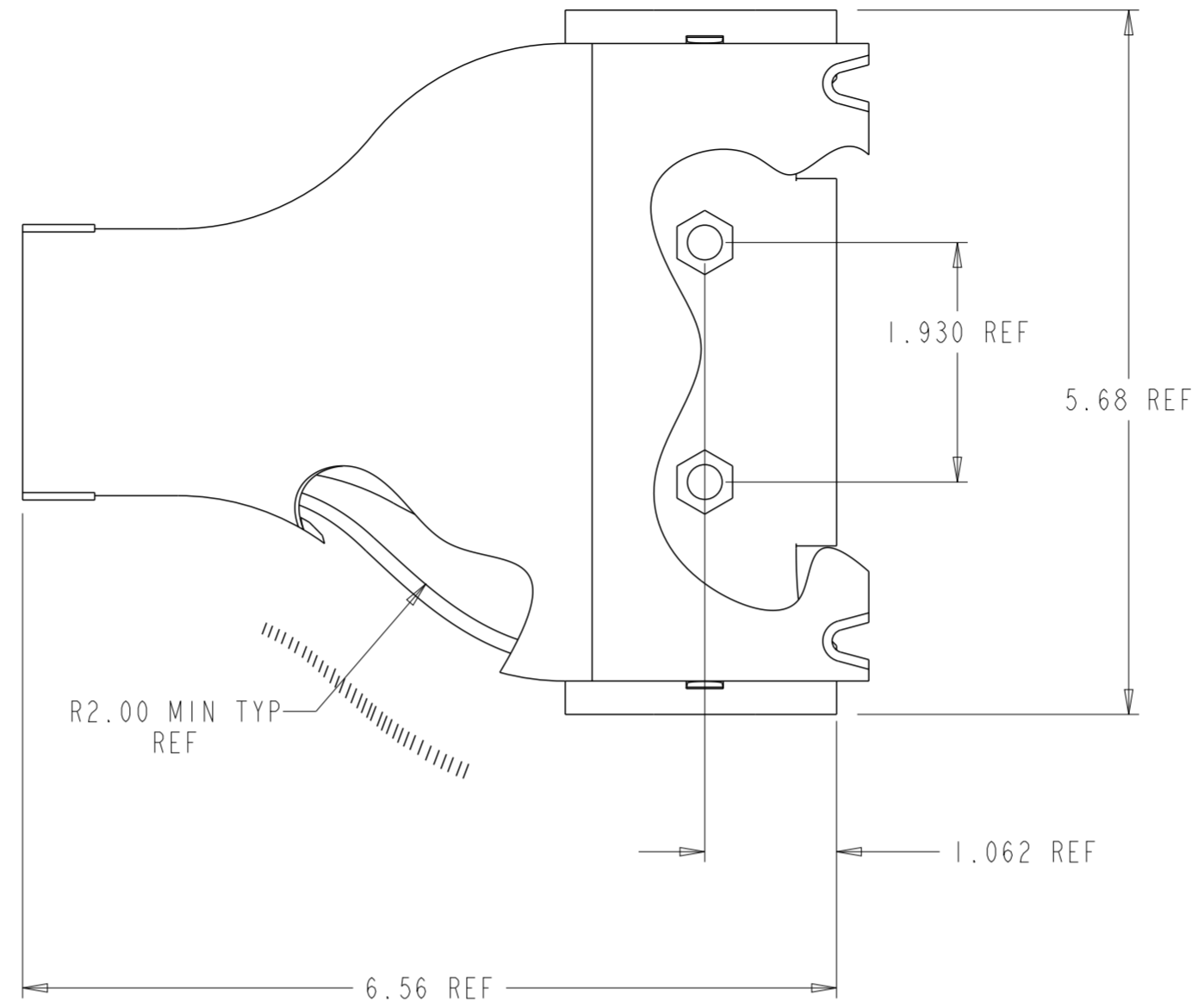
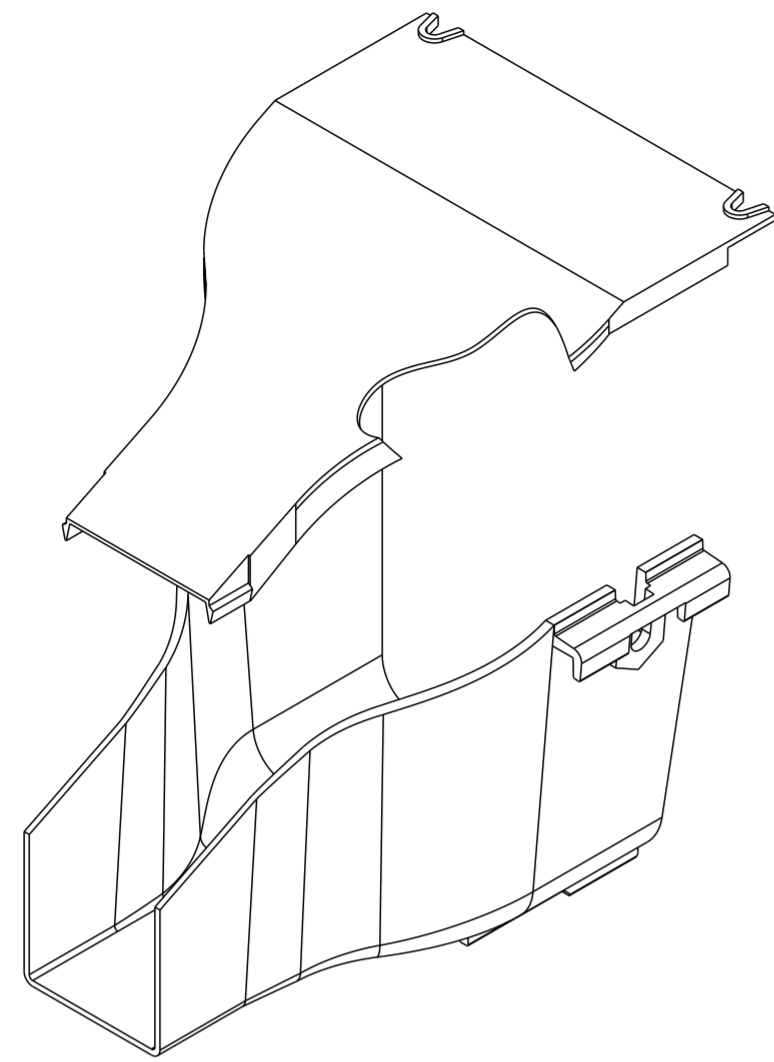
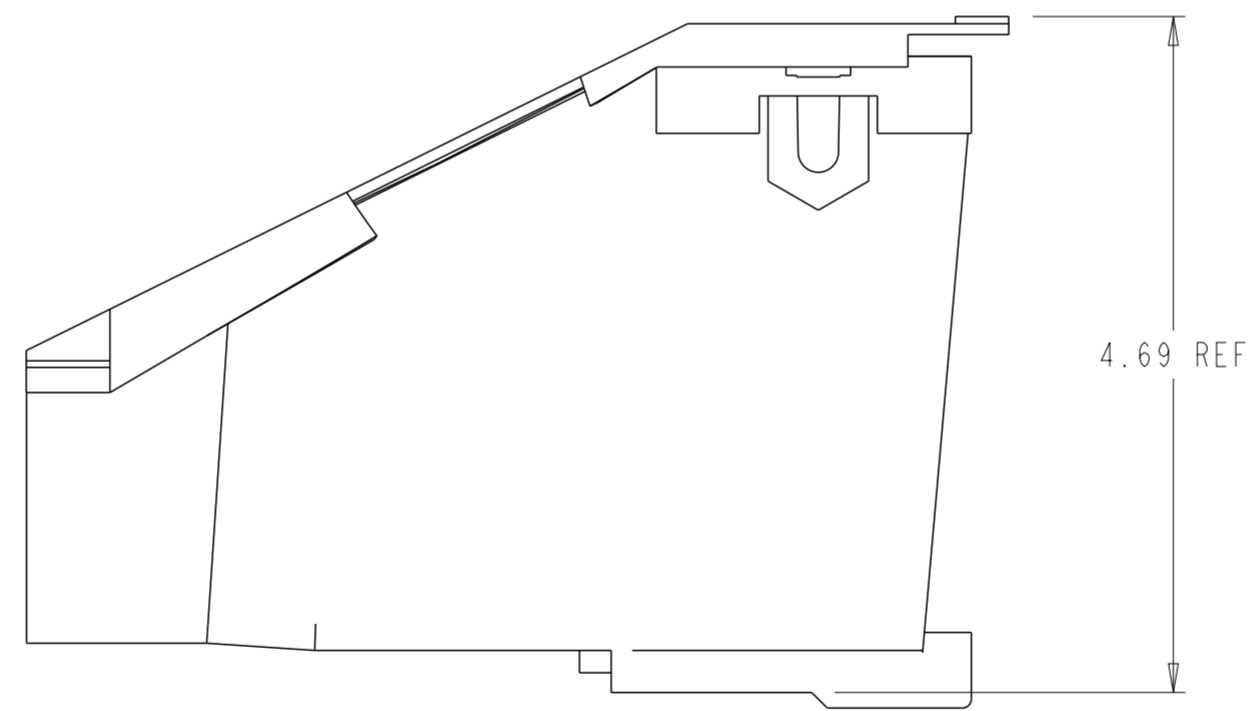
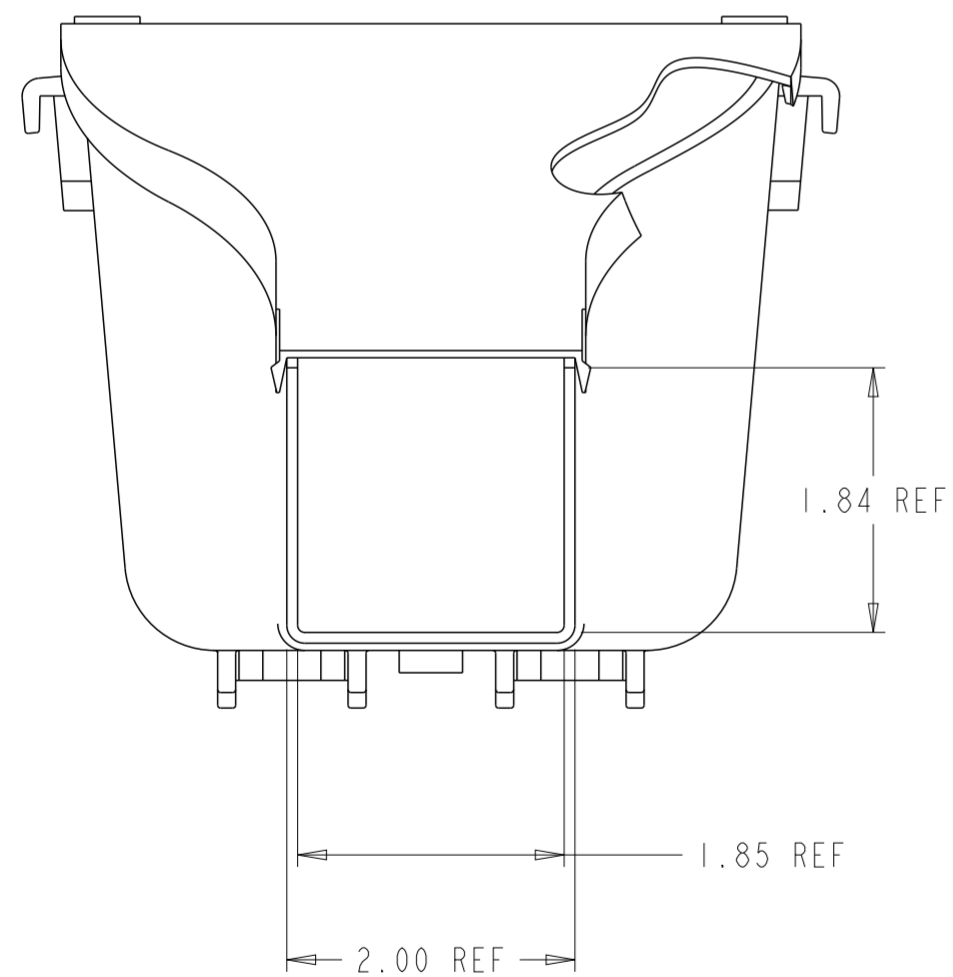


REVISIONS			
REV	CMO	DATE	APPROVED
B	20239114CMO	02-MAY-08	AED
A	40174092CMO	26-SEP-23	FS



SCALE 0.750

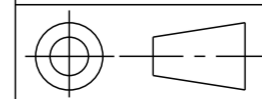


NOTES:

1. MATERIAL IS SELF EXTINGUISHING WITH A UL 94 RATING OF V-0.

FGSB-MDSA-AC	BLACK
FGS-MDSA-AC	YELLOW
CATALOG NO.	COLOR

COMMSCOPE, INC.			
DRAFTER FERNANDO SALDIVAR	TITLE ADAPTER, 4 TO 2		
ENGINEER RUBEN ARVILLA	SIZE A2	SCALE 0.500	DOCUMENT NO. 4-40001-8047_ADC
CUSTOMER DRAWING			REVISION SHEET A 1 OF 1



A
B
C
D
E
F
G
H

A
B
C
D
E
F
G
H