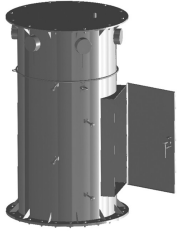


# WT-SPM14-9-72

---



Stackable Pod Mount Assembly, 3-sector platform, 14 ft face, nine 2-3/8 in OD x 72 in plain end pipes included

## Product Classification

**Product Type** Water tower mount

## General Specifications

**Mounting** Hatch plate

**Pipe, quantity** 9

**Sectors, quantity** 3

## Dimensions

**Height** 2,133.6 mm | 84 in

**Face Width** 4.42 m | 14.5 ft

**Width** 4,419.6 mm | 174 in

**Length** 4,419.6 mm | 174 in

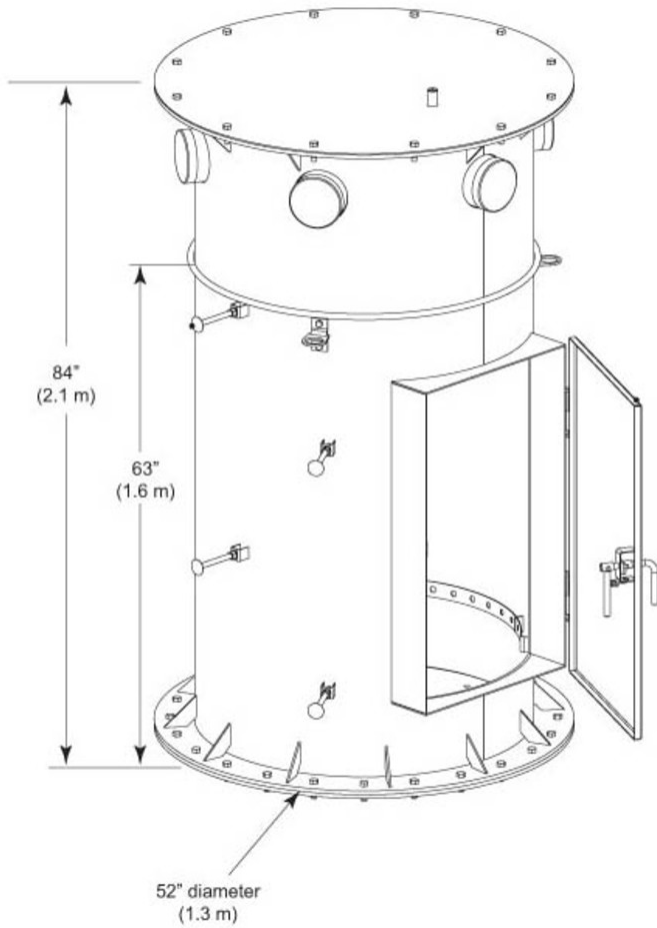
**Pipe Length** 1,828.8 mm | 72 in

**Compatible Diameter** 1,219.2 mm | 48 in

**Pipe Outer Diameter** 60.96 mm | 2.4 in

# WT-SPM14-9-72

## Outline Drawing



## Material Specifications

**Material Type** Hot dip galvanized steel

## Packaging and Weights

**Included** Mount | Plain end pipes (9) | Platform

**Packaging quantity** 1

**Weight, net** 1,333.879 kg | 2,940.7 lb

## Regulatory Compliance/Certifications

**Agency** **Classification**

# WT-SPM14-9-72

---

ISO 9001:2015

Designed, manufactured and/or distributed under this quality management system

## Included Products

- MC-RM3060-3 – Universal Ring Mount, 30 in to 60 in OD
- MT-196-14L – Low Profile Co-location Large Base Platform, 14 ft face. Ring Mount & Antenna Pipes Sold Separately.
- MT-219-72 – Pipe Mount Kit, 2-3/8 in OD x 72 in
- WT-SPM-B – Stackable Pod Mount Assembly, platform and plain end pipe not included