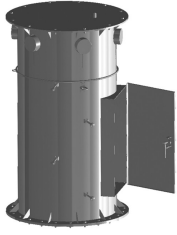


WT-SPM14-9-96



Stackable Pod Mount Assembly, 3-sector platform, 14 ft face, nine 2-3/8 in OD x 96 in plain end pipes included

Product Classification

Product Type Water tower mount

General Specifications

Mounting Hatch plate

Pipe, quantity 9

Sectors, quantity 3

Dimensions

Height 2,438.4 mm | 96 in

Face Width 4.42 m | 14.5 ft

Width 4,419.6 mm | 174 in

Length 4,419.6 mm | 174 in

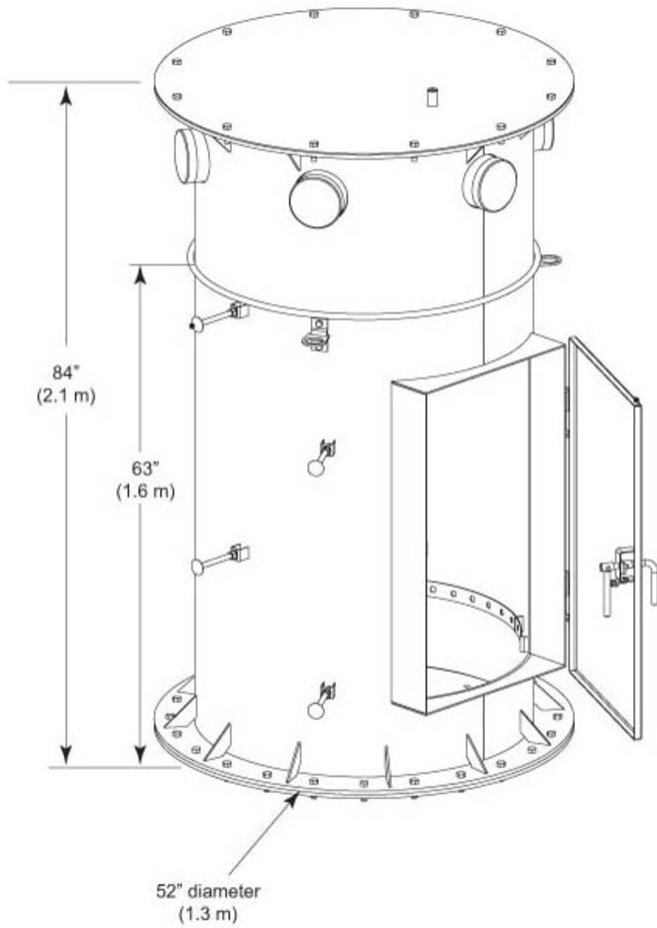
Pipe Length 2,438.4 mm | 96 in

Compatible Diameter 1,219.2 mm | 48 in

Pipe Outer Diameter 60.96 mm | 2.4 in

WT-SPM14-9-96

Outline Drawing



Material Specifications

Material Type Hot dip galvanized steel

Packaging and Weights

Included Mount | Plain end pipes (9) | Platform

Packaging quantity 1

Weight, net 1,366.583 kg | 3,012.8 lb

Regulatory Compliance/Certifications

Agency **Classification**

WT-SPM14-9-96

ISO 9001:2015

Designed, manufactured and/or distributed under this quality management system

Included Products

- | | | |
|-------------|---|--|
| MC-RM3060-3 | - | Universal Ring Mount, 30 in to 60 in OD |
| MT-196-14L | - | Low Profile Co-location Large Base Platform, 14 ft face. Ring Mount & Antenna Pipes Sold Separately. |
| MT-220 | - | Pipe Mount Kit, 2-3/8 in OD x 96 in |
| WT-SPM-B | - | Stackable Pod Mount Assembly, platform and plain end pipe not included |